

P3321101-1, P3321102-1, P3321116-1, P3321149-1 - Shower Trim

Description

TAZIO SHOWER TRIM

• Face plate and handle assembly

* For use with P4323199 valve - not included

Standards

• ADA Accessibility Guidelines for Buildings and Facilities - 4.27.4 Controls and Mechanisms



P3321101-1

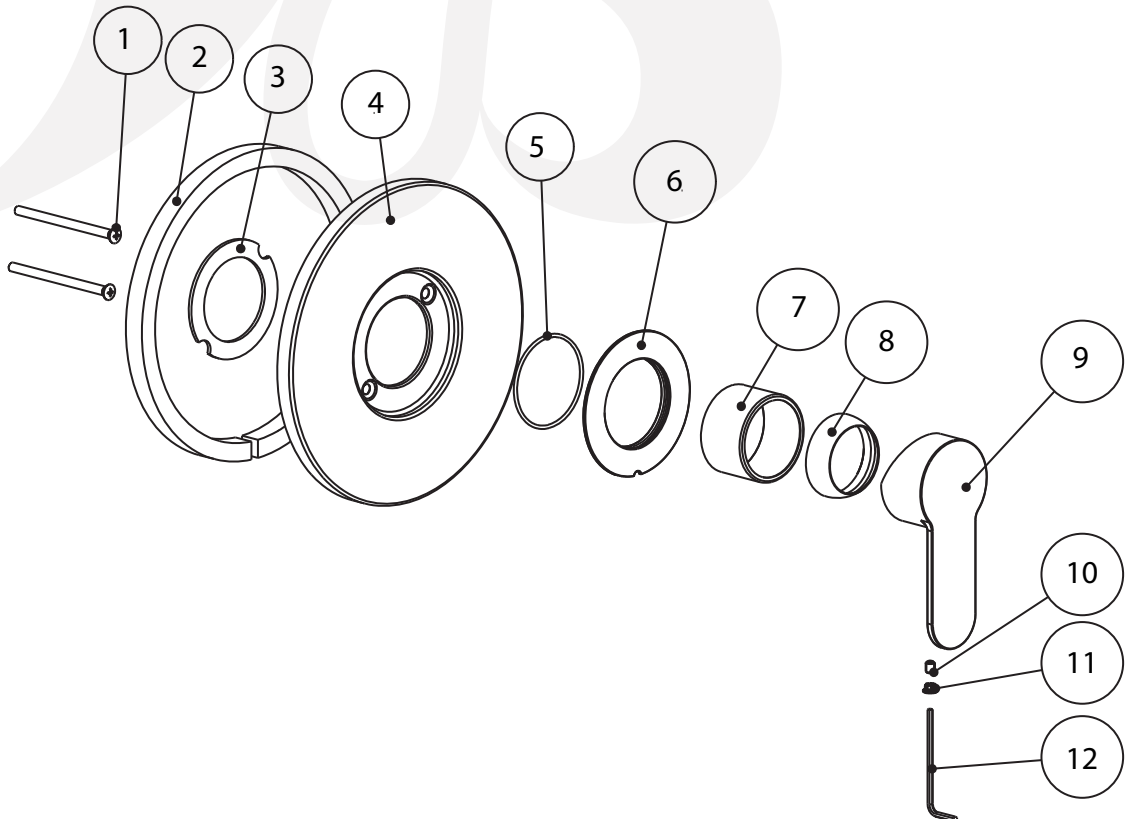


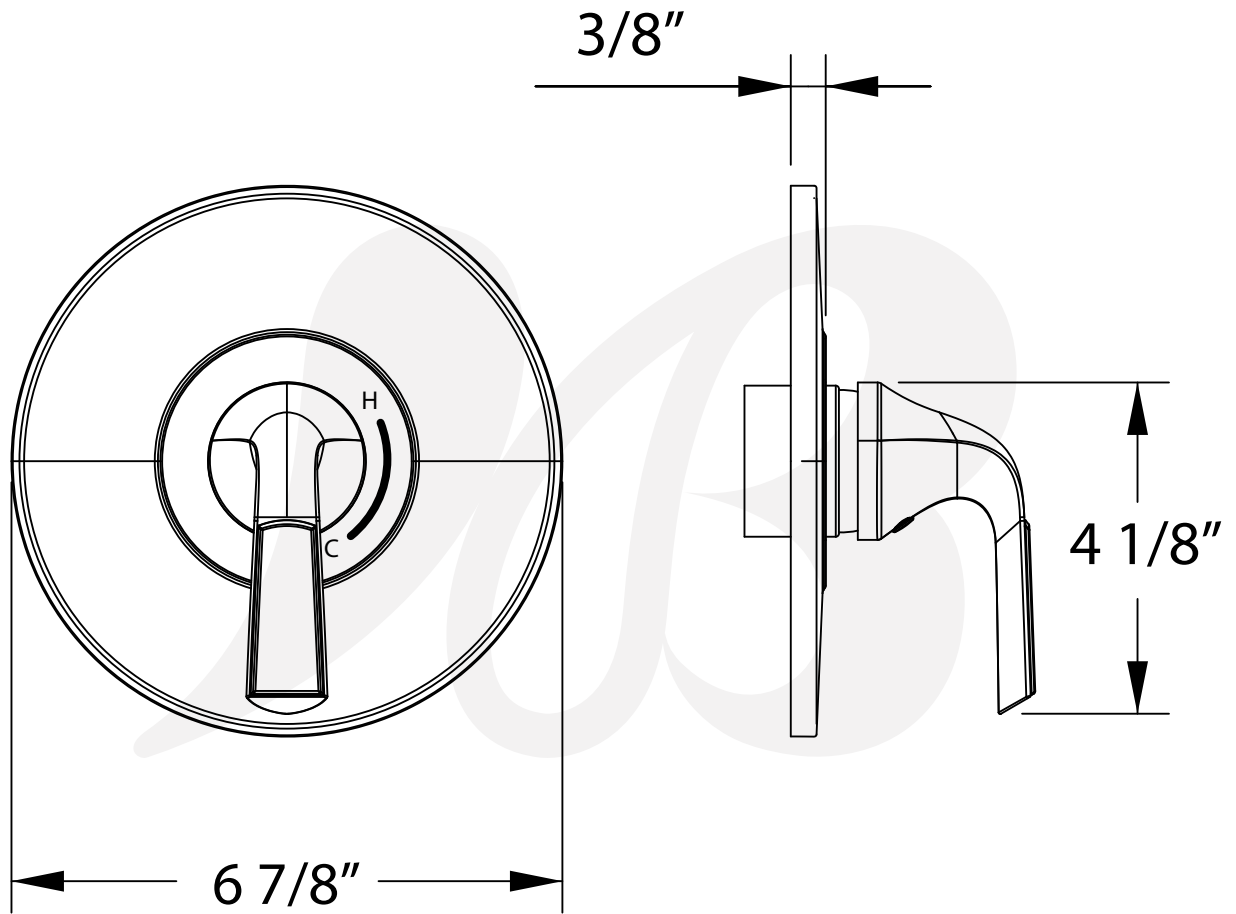
Colors / Finishes

- P3321101-1 Chrome
- P3321102-1 PVD Satin Nickel
- P3321116-1 PVD Satin Brass
- P3321149-1 Matte Black

**BREAK DOWN
Component Parts List**

No	PART	Qty
12	CCQT0002	1
11	CTCP0072	1
10	CTST0117	1
9	CTHZ0443	1
8	CTCB0185	1
7	CTCB0670	1
6	CTCB0770	1
5	CTRR0244	1
4	CTCT0090	1
3	CTWP0223	1
2	CTWP0318	1
1	CTST0230	2





Item Number	Type	Date
P3321101-1, P3321102-1, P3321116-1, P3321149-1	Face Plate	09/29/2021