

Shower valve rough in with push button on-off diverter - P3223199


Description

- Ceramic disc valve
- Pressure Balanced cartridge
- Two button on-off diverter valve
- Two port outlet
- Hot and cold one way check valves
- Forged brass valve body
- Universal 1/2" IPS and 1/2" CC fittings
- Hot and Cold service stops
- Back to back installation
- 4 Anchor points for face plate installation and blocking to secure valve in wall

P3223199

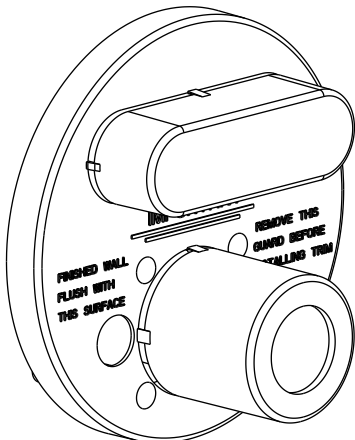
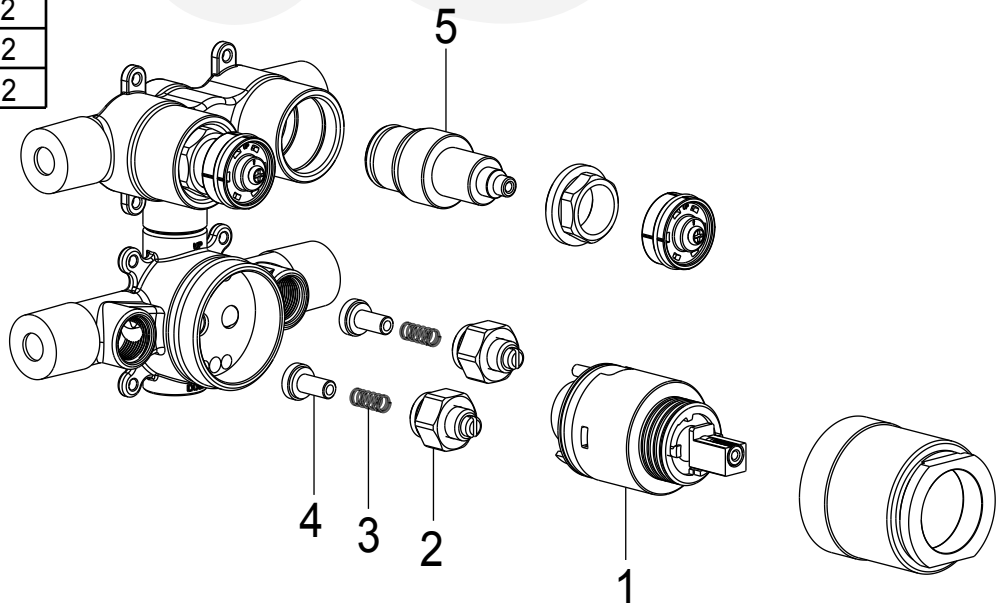


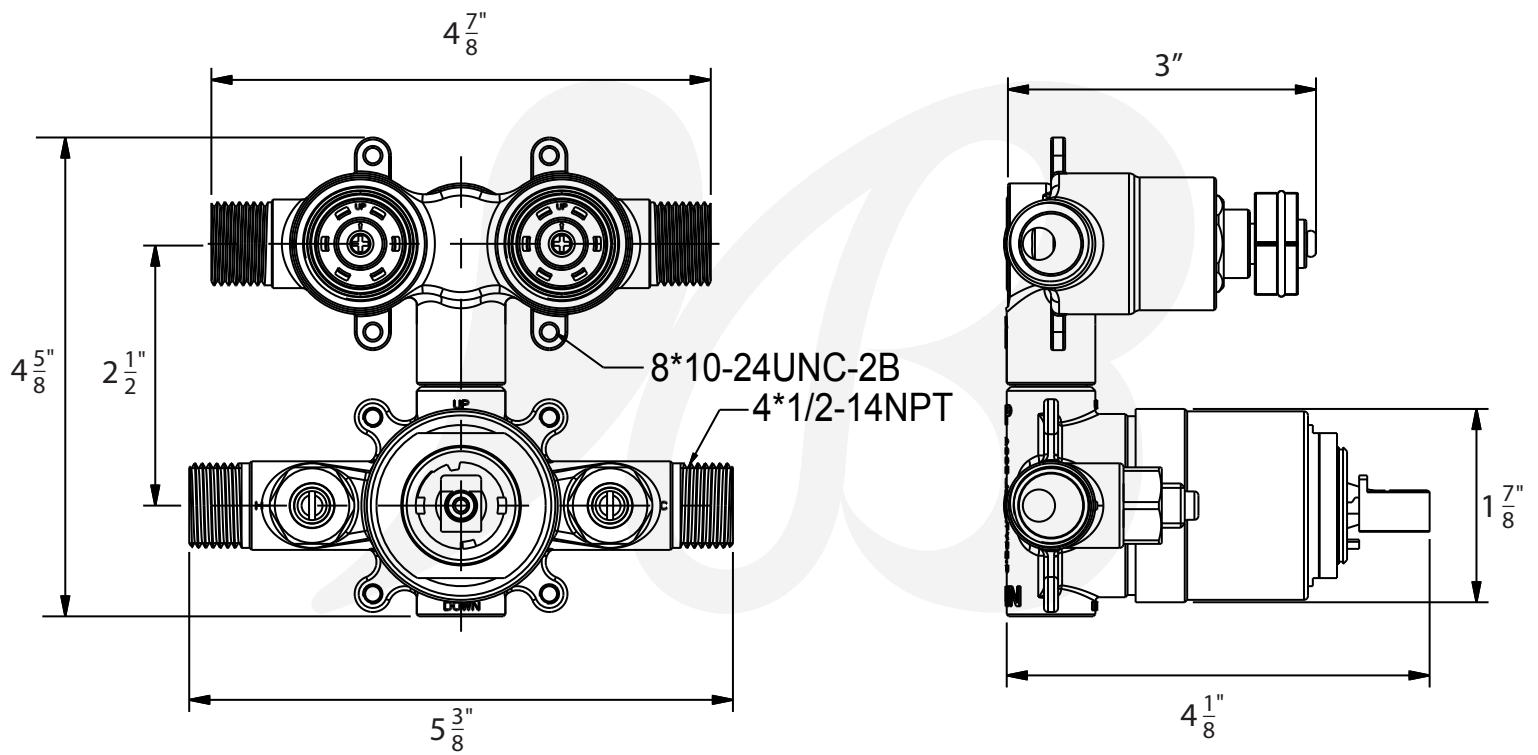
Standards

- Certified and listed with IAPMO UPC/cUPC 
- ASSE 1016-2011 compliant

BREAK DOWN
Component Parts List

1	ATBA3002	CARTRIDGE	1
2	ATBA0318	CHECKSTOP NUT	2
3	CTBT0078	SPRING	2
4	ATBY0276	CHECKSTOP STEM	2
5	ATBA0385	DIVERTER	2





Item Number	Type	Date
P3223199	Rough-in Valve	4-3-2019