

P3221101, P3221102, P322116, P322149 - Shower Valve Trim

Description

RAZO TUB AND SHOWER TRIM

- Face plate and handle assembly

* For use with P4323199 valve

Standards

- ADA Accessibility Guidelines for Buildings and Facilities - 4.27.4 Controls and Mechanisms



P3221101

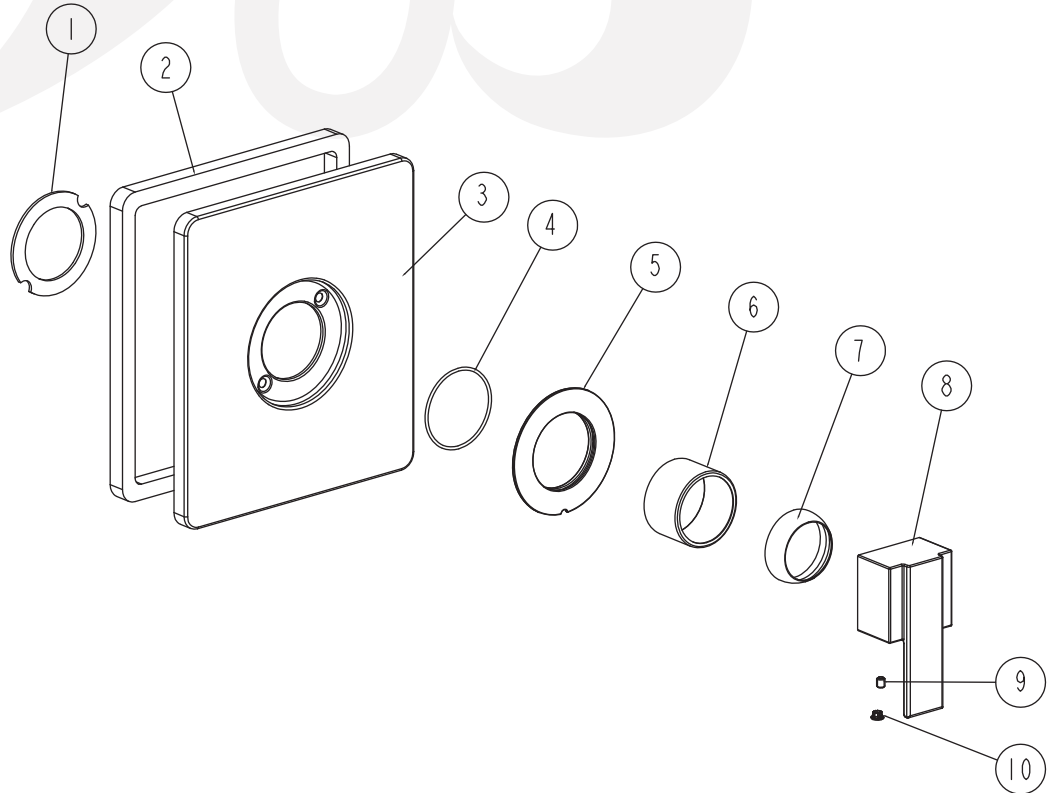


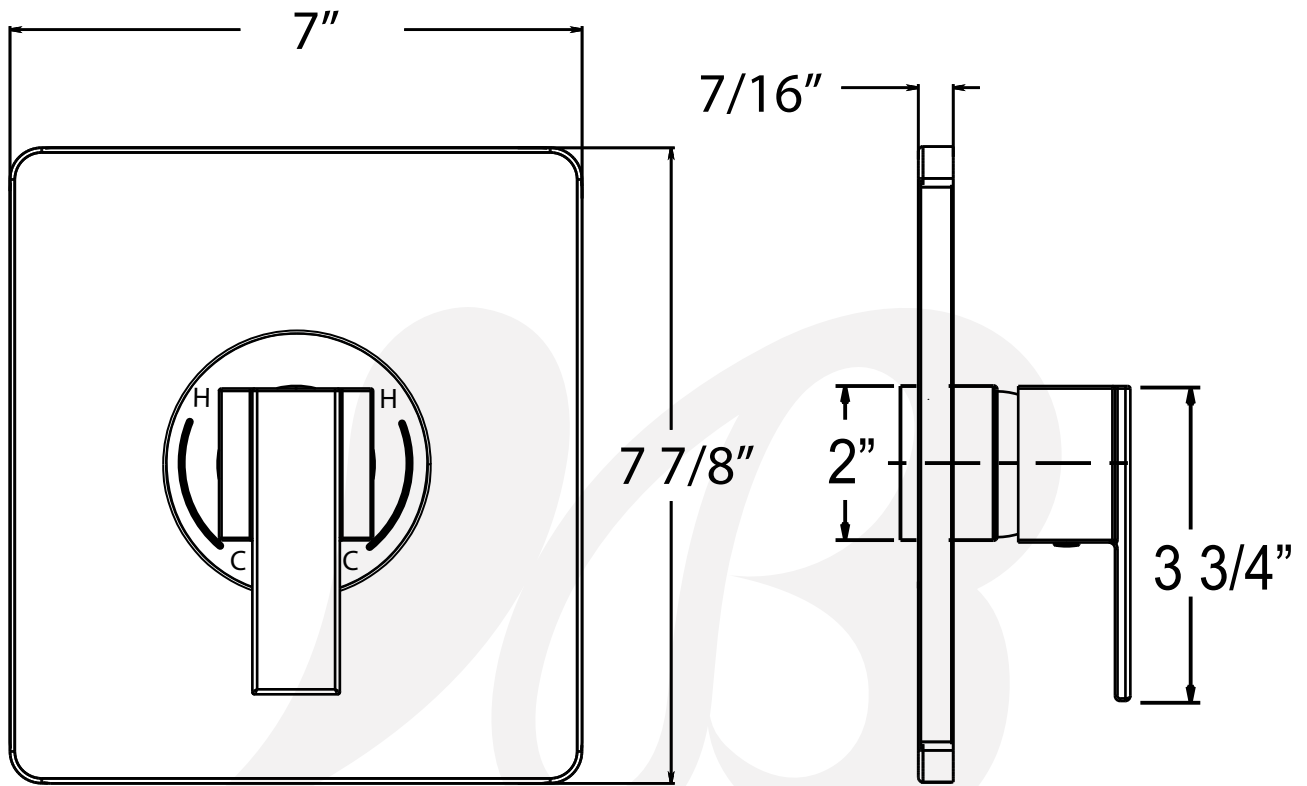
Colors / Finishes

- P3221101 Chrome
- P3221102 PVD Satin Nickel
- P3221116 PVD Satin Brass
- P3221149 Matte Black

**BREAK DOWN
Component Parts List**

NO.	Drawing No.	Quantity
10	CTCP0072	1
9	CTST0117	1
8	CTHZ0642	1
7	CTCB0185	1
6	CTCB0670	1
5	CTCB0770	1
4	CTRR0244	1
3	CTCT0098	1
2	CTWP0266	1
1	CTWP0223	1





Item Number	Type	Date
P3221101, P3221102, P3221116, P3221149	Face Plate	10/8/2021