

**P3221101-1, P3221102-1, P3221116-1, P3221149-1 - Razo Shower Trim**

**Description**

**RAZO SHOWER TRIM ONLY**  
 • Face plate and handle assembly  
 \* For use with P4323199 valve

P3221101-1



**Standards**

• ADA Accessibility Guidelines for Buildings and Facilities - 4.27.4 Controls and Mechanisms

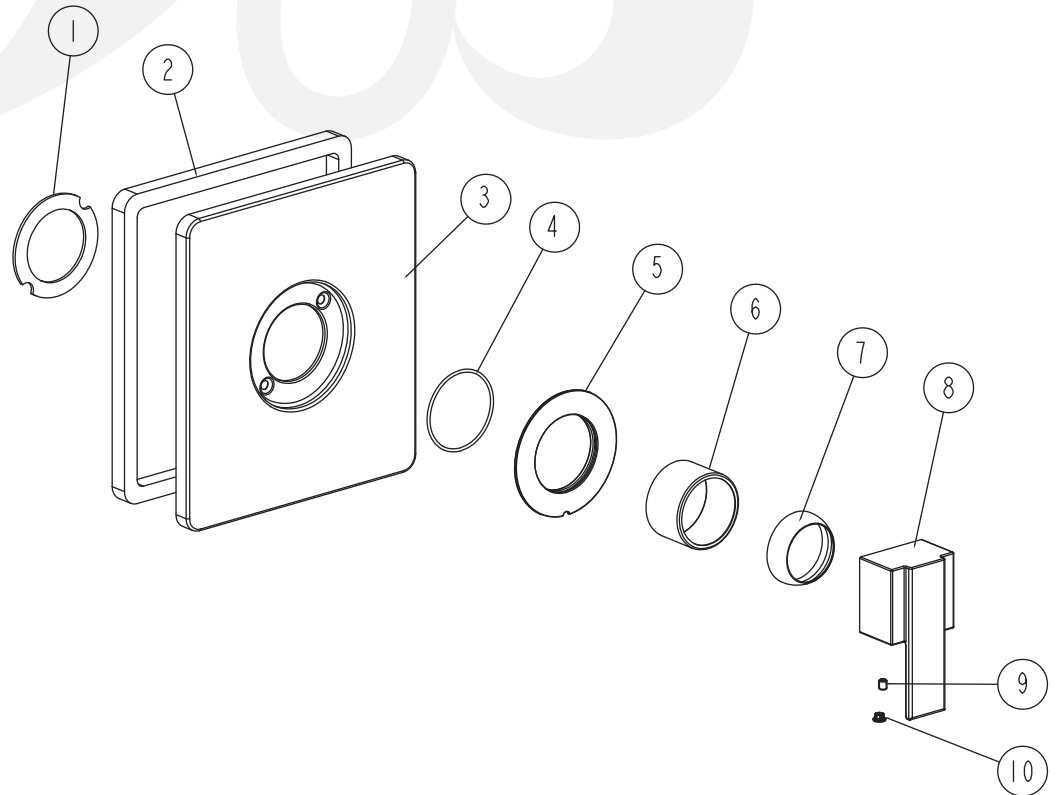


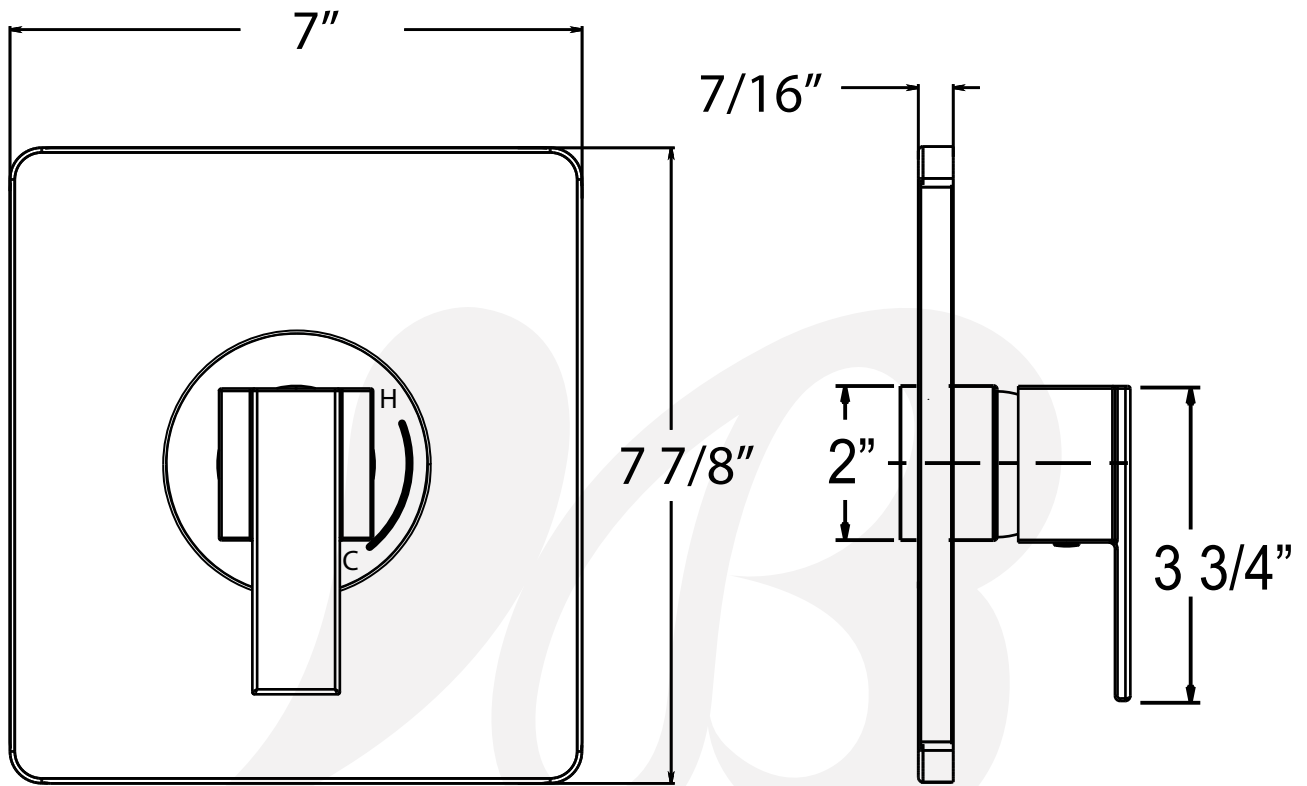
**Colors / Finishes**

- P3221101-1 Chrome
- P3221102-1 PVD Satin Nickel
- P3221116-1 PVD Satin Brass
- P3221149-1 Matte Black

**BREAK DOWN**  
**Component Parts List**

10	CTCP0072	1
9	CTST0117	1
8	CTHZ0642	1
7	CTCB0185	1
6	CTCB0670	1
5	CTCB0770	1
4	CTRR0244	1
3	CTCT0098	1
2	CTWP0266	1
1	CTWP0223	1
NO.	Drawing No.	Quantity





Item Number	Type	Date
P3221101-1, P3221102-1, P3221116-1, P3221149-1	Face Plate	10/8/2021