

P3121101, P3121102, P3121116, P3121149 - Davenport Face Plate Trim

Description

DAVENPORT TUB AND SHOWER TRIM ONLY

- Face plate and handle assembly

* For use with P4323199 valve

P3121101



Standards

- Complies with IAPMO UPC/cUPC
- ADA Accessibility Guidelines for Buildings and Facilities - 4.27.4 Controls and Mechanisms

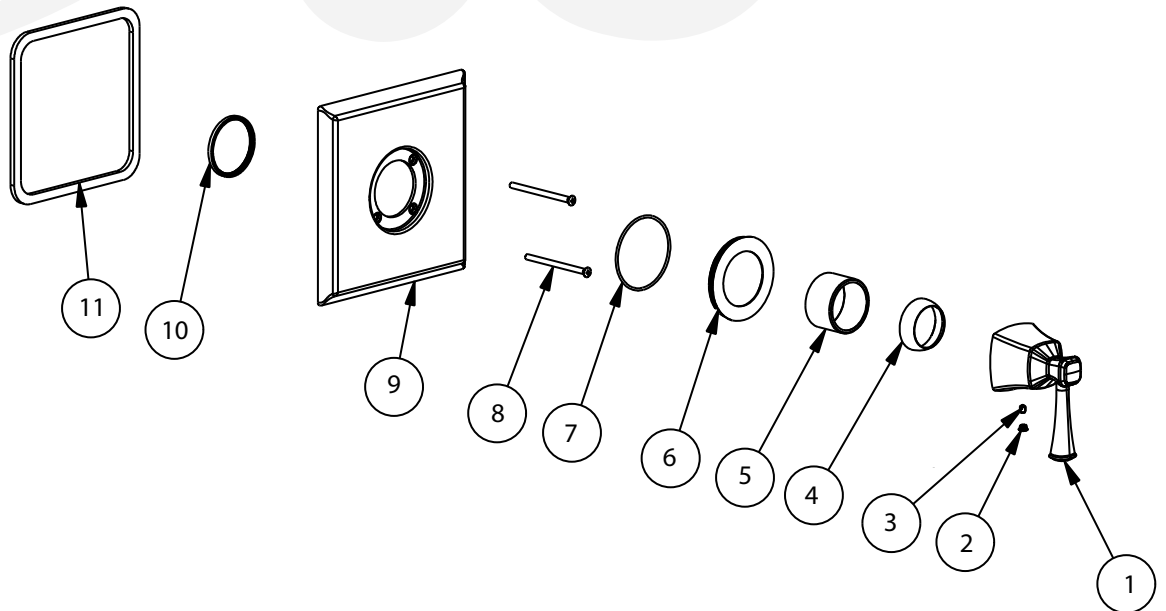


Colors / Finishes

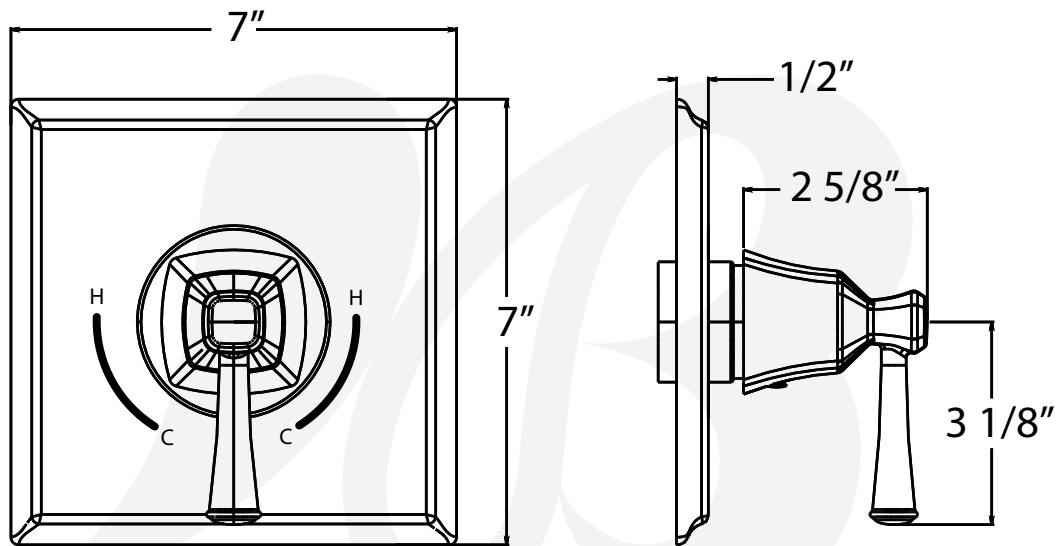
- P3121101 Chrome
- P3121102 PVD Satin Nickel
- P3121116 PVD Satin Brass
- P3121149 Matte Black

BREAK DOWN
Component Parts List

11	CTRR0123	1
10	CTCB0534	1
9	CTST0230	2
8	CTRR0113	1
7	CTCB0231	1
6	CTCB0670	1
5	CTCB0185	1
4	CTST0117	1
3	CTCP0072	1
2	CCQT0002	1
1	CTHZ0747	1
No	PART	Qty



SPECIFIED MODEL



Item Number	Type	Date
P3121101, P3121102, P3121116, P3121149	Trim Kit	9-24-2021