

P3021101, P3021102, P302114, P302116, P302149 - Shower Valve Trim

Description

- This face plate is marked with H and C on both sides of the plate.
- Face plate and lever handle assembly
- VALVE SOLD SEPARATELY - P4323199

Standards

- ADA Accessibility Guidelines for Buildings and Facilities - 4.27.4 Controls and Mechanisms



P3021101

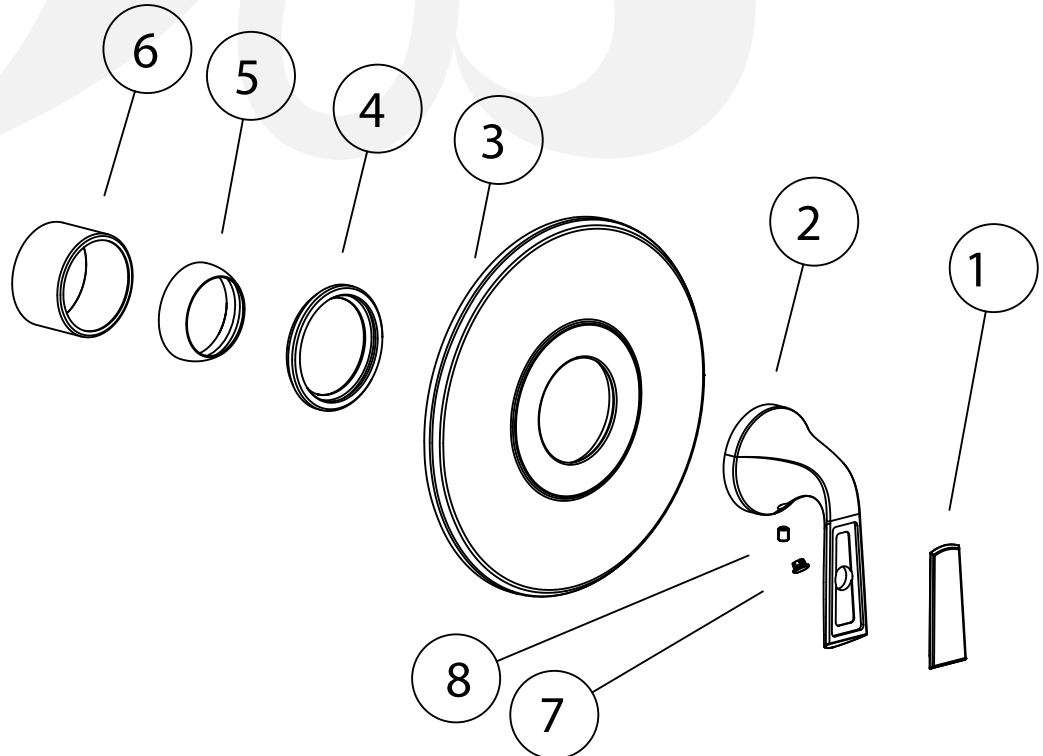


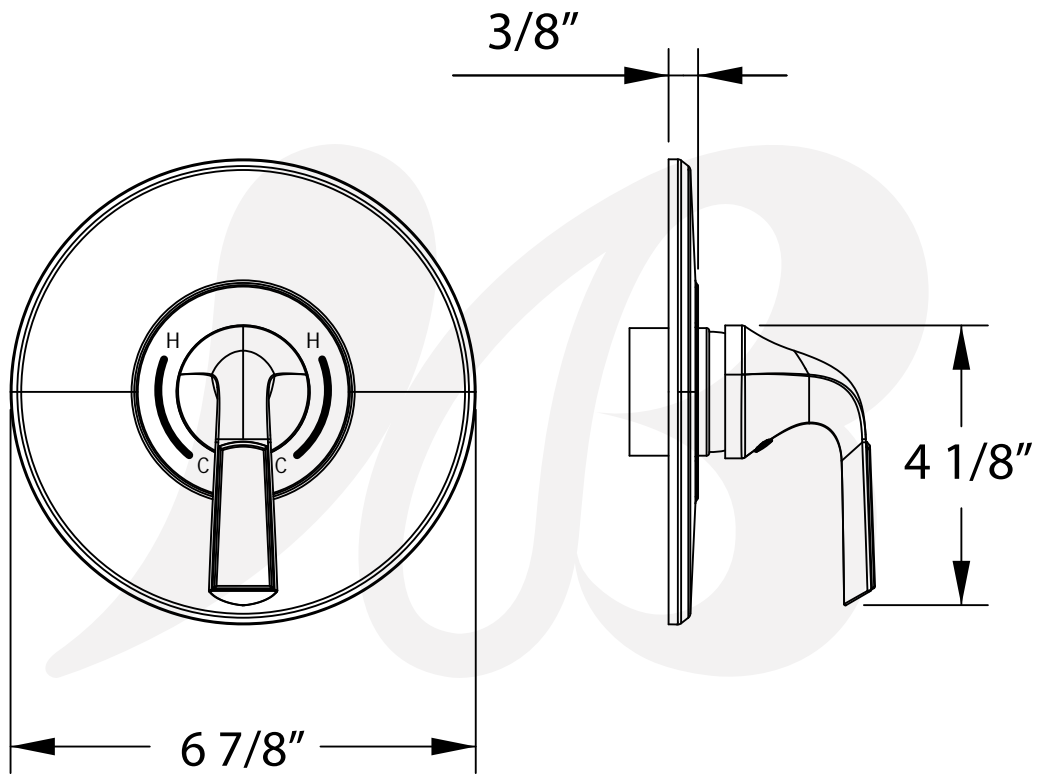
Colors / Finishes

- P3021101 - Chrome
- P3021102 - PVD Satin Nickel
- P3021114 - PVD Polished Nickel
- P3021116 - PVD Satin Brass
- P3021149 - Matte Black

**BREAK DOWN
Component Parts List**

NO.	Part No.	Quantity
8	CTST0117	1
7	CTCP0072	1
6	CTCB0670	1
5	CTCB0185	1
4	CTWR0356	1
3	CTCB1015	1
2	CTHZ0700	1
1	CTCZ0304	1
NO.	Part No.	Quantity





Item Number	Type	Date
P3021101, P3021102, P3021114, P3021116, P3021149	Face Plate	07/01/2020