

Shower valve rough in - P0123399


Description

- Ceramic disc
- Pressure Balanced
- Non metallic valve body
- Universal 1/2" PEX with 90 degree elbow
- Back to back installation
- 4 Anchor points for face plate installation and blocking to secure valve in wall

P0123399

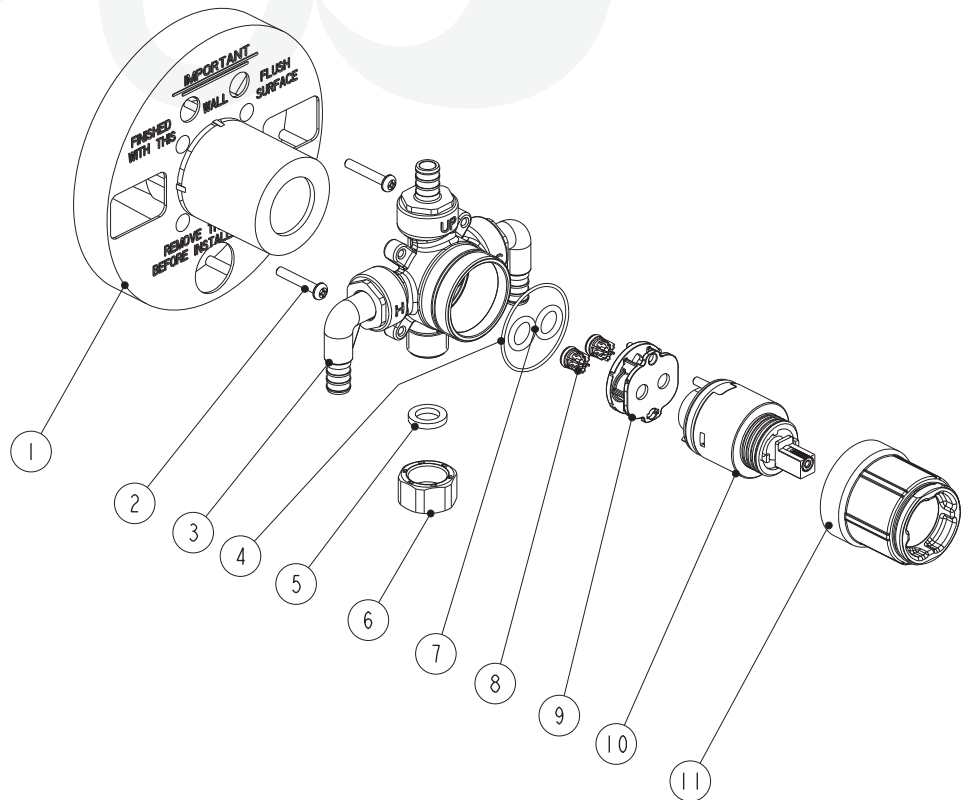


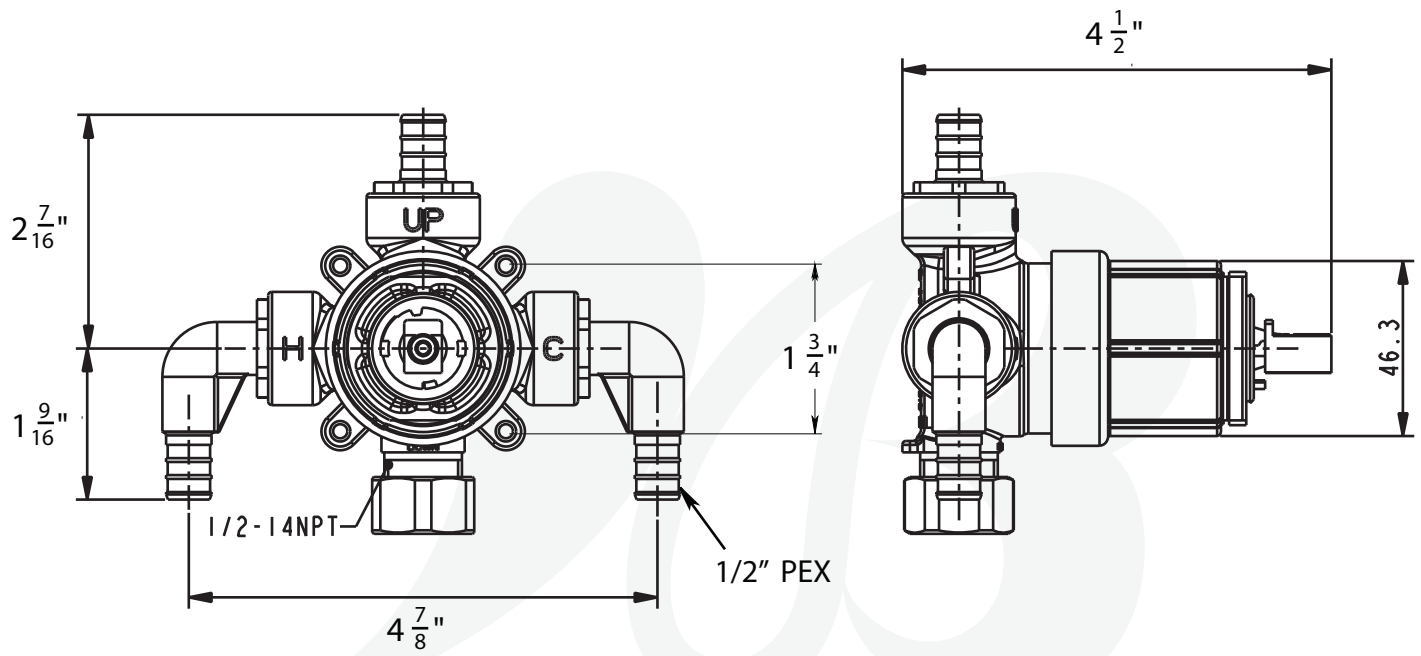
Standards

- IAPMO cUPC ASSE1016 Certified and Listed 
- PEX Inserts - ASTM F2159-14 Compliant

BREAK DOWN
Component Parts List

11	CTCP0501	THREADED SLEEVE	1
10	ATBA3002	VALVE	1
9	CTDP0082	BASE	1
8	ATBA0240	CHECK VALVE	2
7	CTRR0076	O-RING	2
6	CTNP0063	NUT	1
5	CTWR0249	GASKET	1
4	CTRR0107	O-RING	1
3	ATBY0274	PEX ELBOW	1
2	CTST1005	SCREW	2
1	CTCP0361	GUARD	1
NO.	Drawing No.	Part Description	Quantity





Item Number	Type	Date
P0123399	Rough-in Valve	6-16-2021