

P0121201, P0121202 - Shower Valve Trim

Description

- Shower trim assembly
- Metal lever handle
- VALVE SOLD SEPARATELY

Standards

- ADA Accessibility Guidelines for Buildings and Facilities - 4.27.4 Controls and Mechanisms



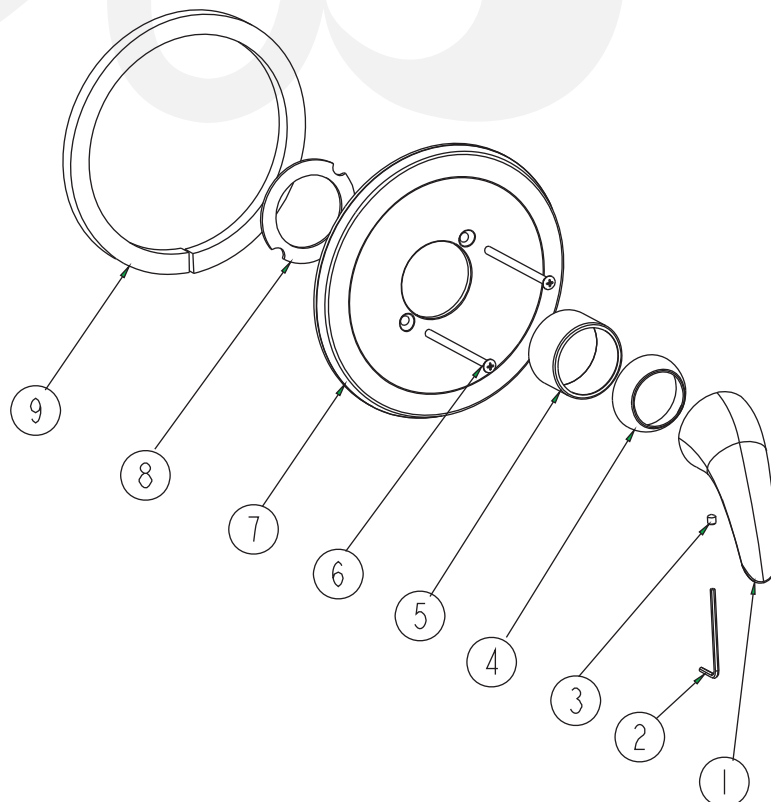
• P0121201

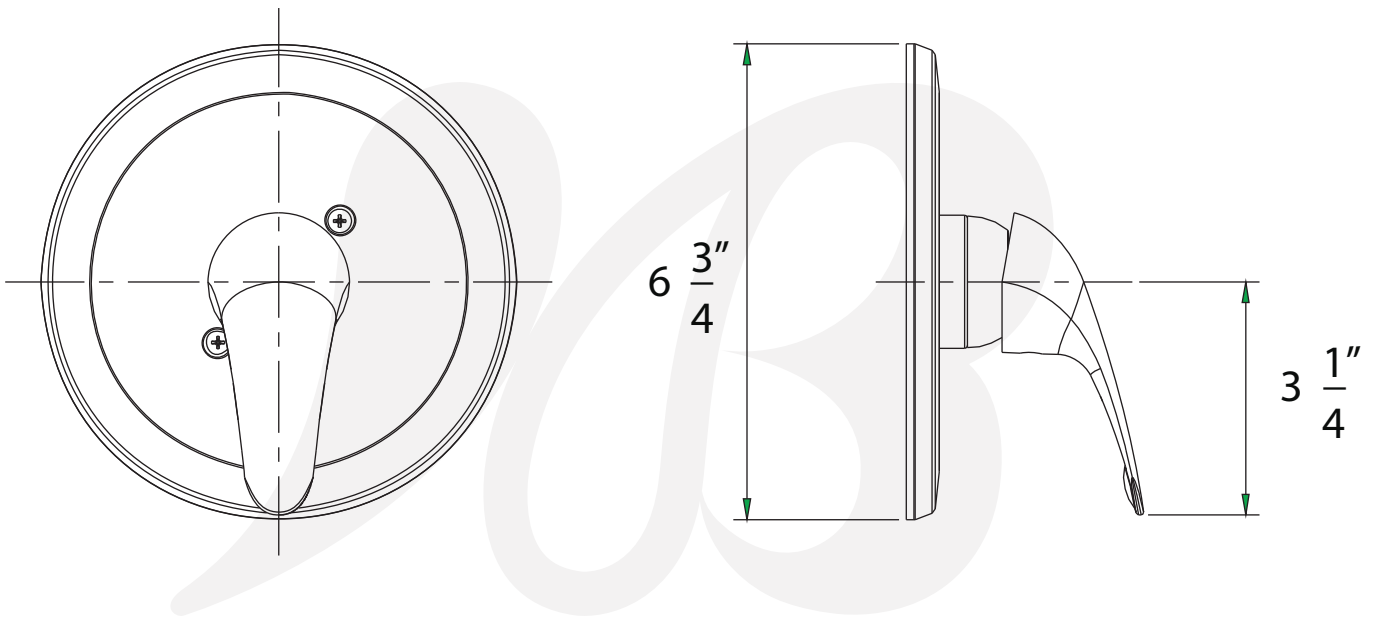
Colors / Finishes

- P0121201 - Chrome
- P0121202 - PVD Satin Nickel

**BREAK DOWN
Component Parts List**

NO.	Part No	Qty
01	CTHZ0312	1
02	CCQT0002	1
03	CTST4101	1
04	CTCP0192	1
05	CTCT0053	1
06	CTST0230	2
07	CTCT0052	1
08	CTWP0223	1
09	CTWP0192	1





Item Number	Type	Date
P0121201, P0121202	Shower Only	12/18/2015