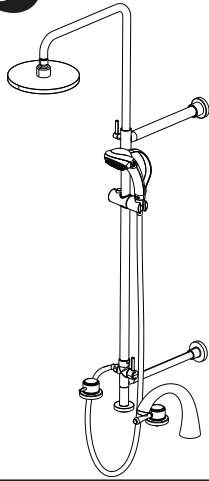


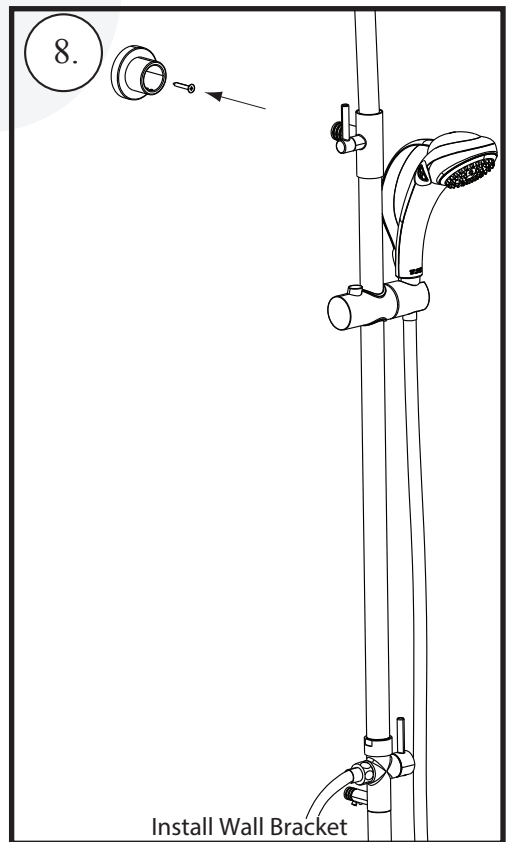
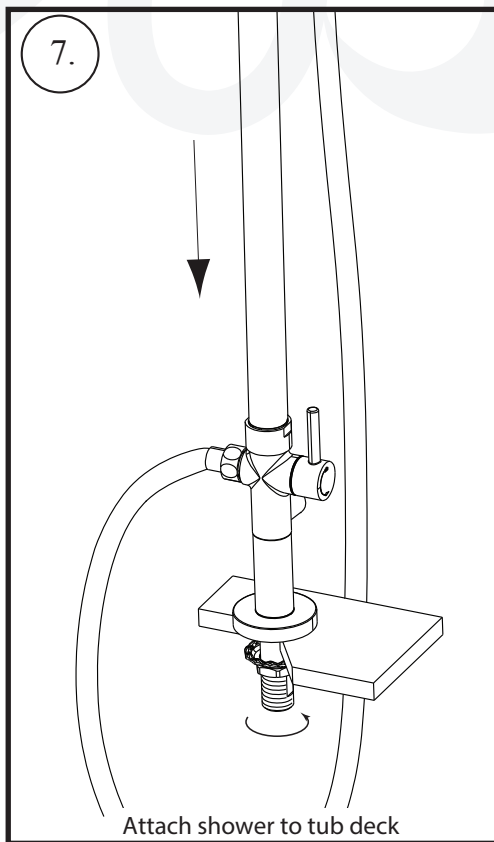
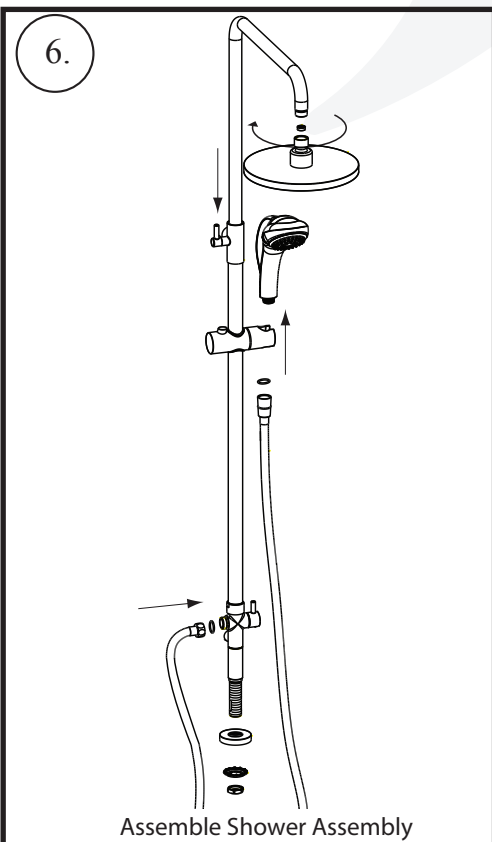
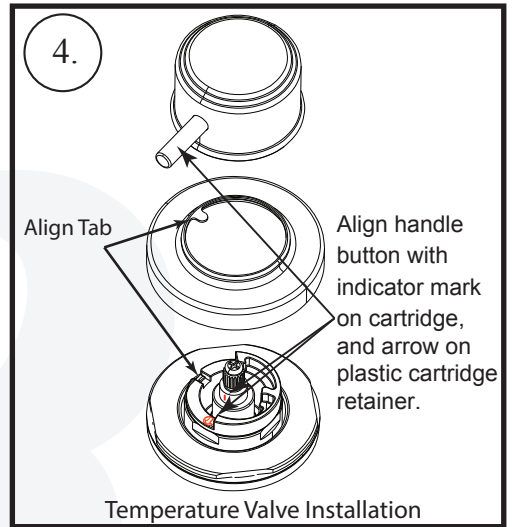
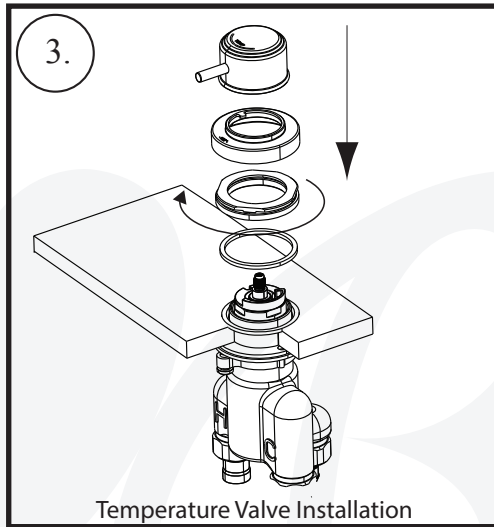
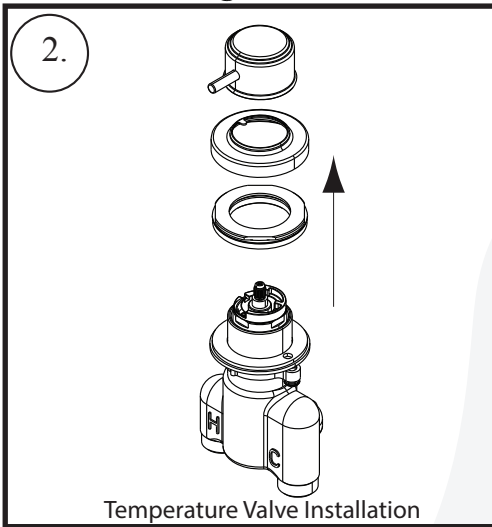
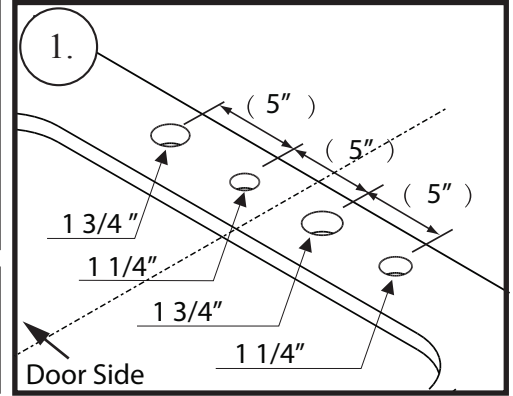
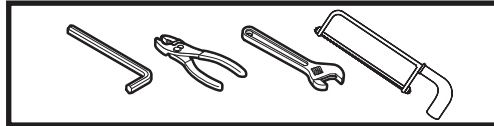


Huntington Brass Installation Instructions for: S7424801 - Thermostatic Roman Tub Filler Faucet with Shower



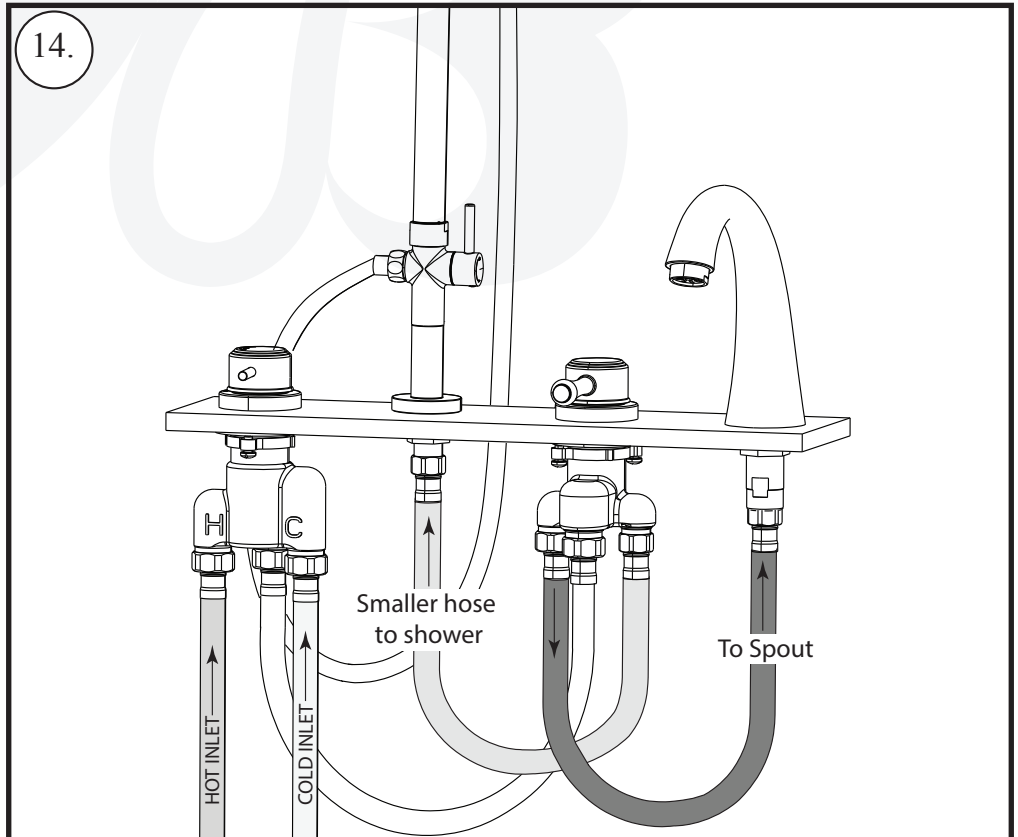
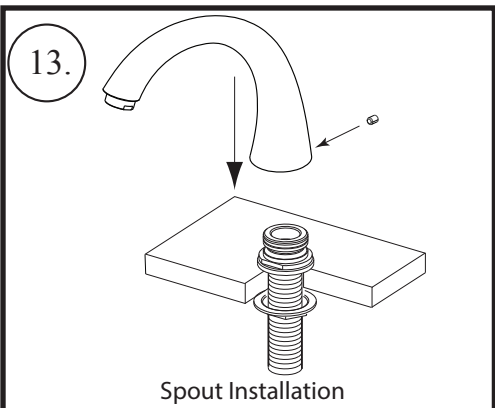
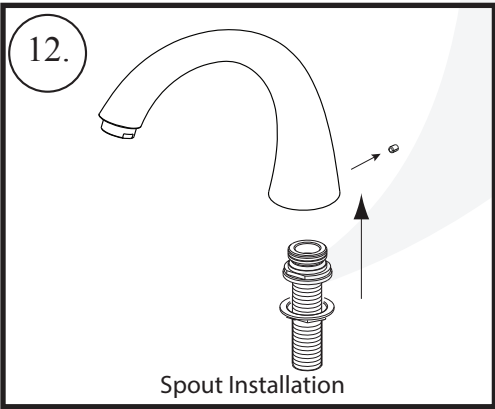
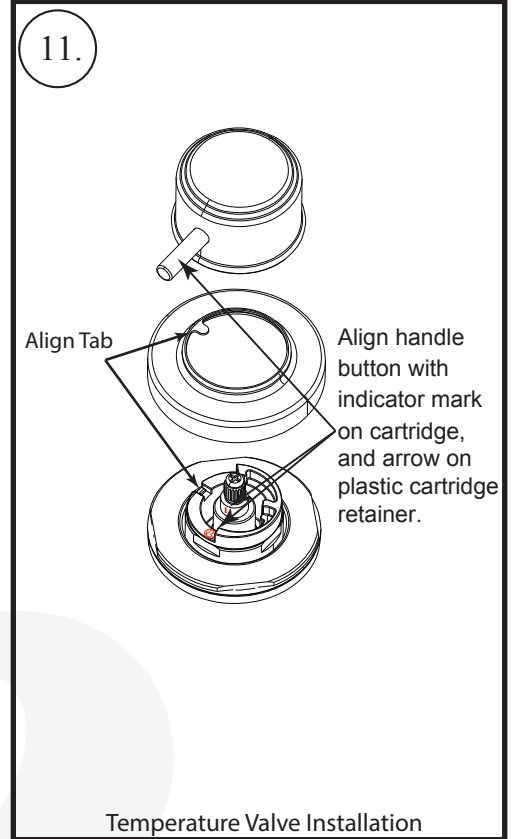
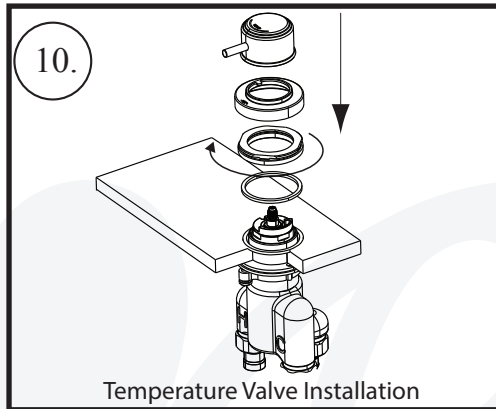
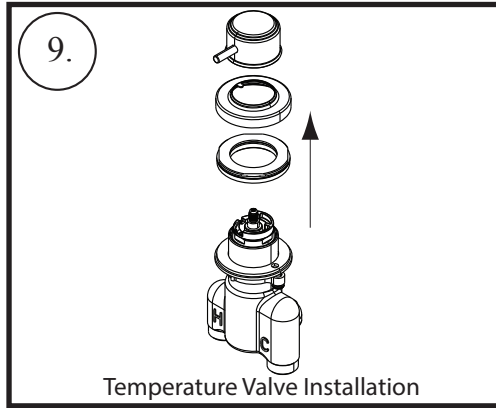
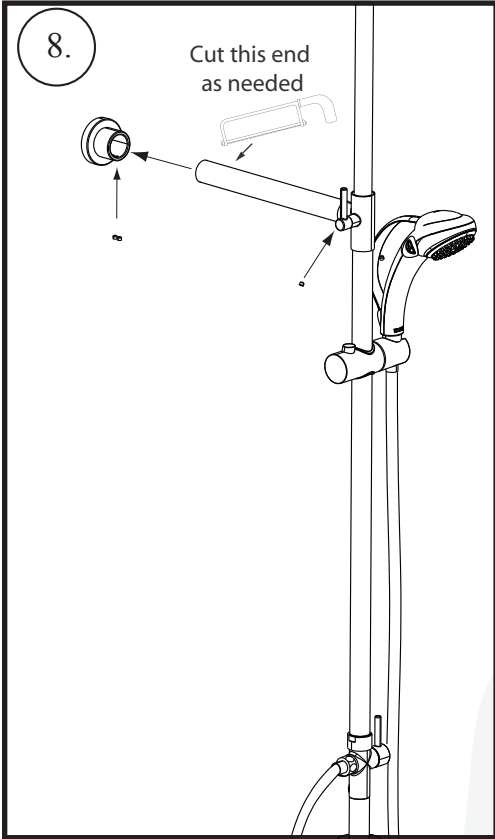
Standards

- Complies with IAPMO UPC/cUPC
- ASME A112.18.1
- Complies with B125.1
- ADA Accessibility Guidelines for Buildings and Facilities - 4.27.4 Controls and Mechanisms
- ASSE 1016 Certified and listed





Huntington Brass Installation Instructions for: S7424801 - Thermostatic Roman Tub Filler Faucet with Shower





Huntington Brass Installation Instructions for: S7424801 - Thermostatic Roman Tub Filler Faucet with Shower

*Please contact Huntington Brass
Technical department
if you have any questions with the
installation or function of this faucet.
1-800-888-6604*

* Please flush the system before using the new faucet and hand shower. We recommend removing the aerator and hand shower and let water flush through the new faucet and hose to make sure that no contaminants will be present to cause blockage or damage to the system.

Cleaning & Care:

Huntington Brass recommends cleaning your faucet with only mild soap and warm water. The use of any abrasive cleaners or chemicals will void the finish warranty of you HB product.

Troubleshooting:

- The desired temperature cannot be reached, water is not hot enough.
Make sure the inlet temperature is within the specifications of this valve.
Make sure handle on temperature valve aligns with mark on the cartridge (see #11 on installation instructions)
- Water temperature is either hot to cold. Will not maintain temperatures. Will not mix.
Hot and cold water inlet are reversed.
- Flow rate reduced or fluctuating at the tub spout.
One way check valves at the hot and cold water inlet are blocked or restricted.
- Flow rate reduced or fluctuating at the hand shower.
Check the two one way check valves in the hose and hand shower for blockage or restriction.

