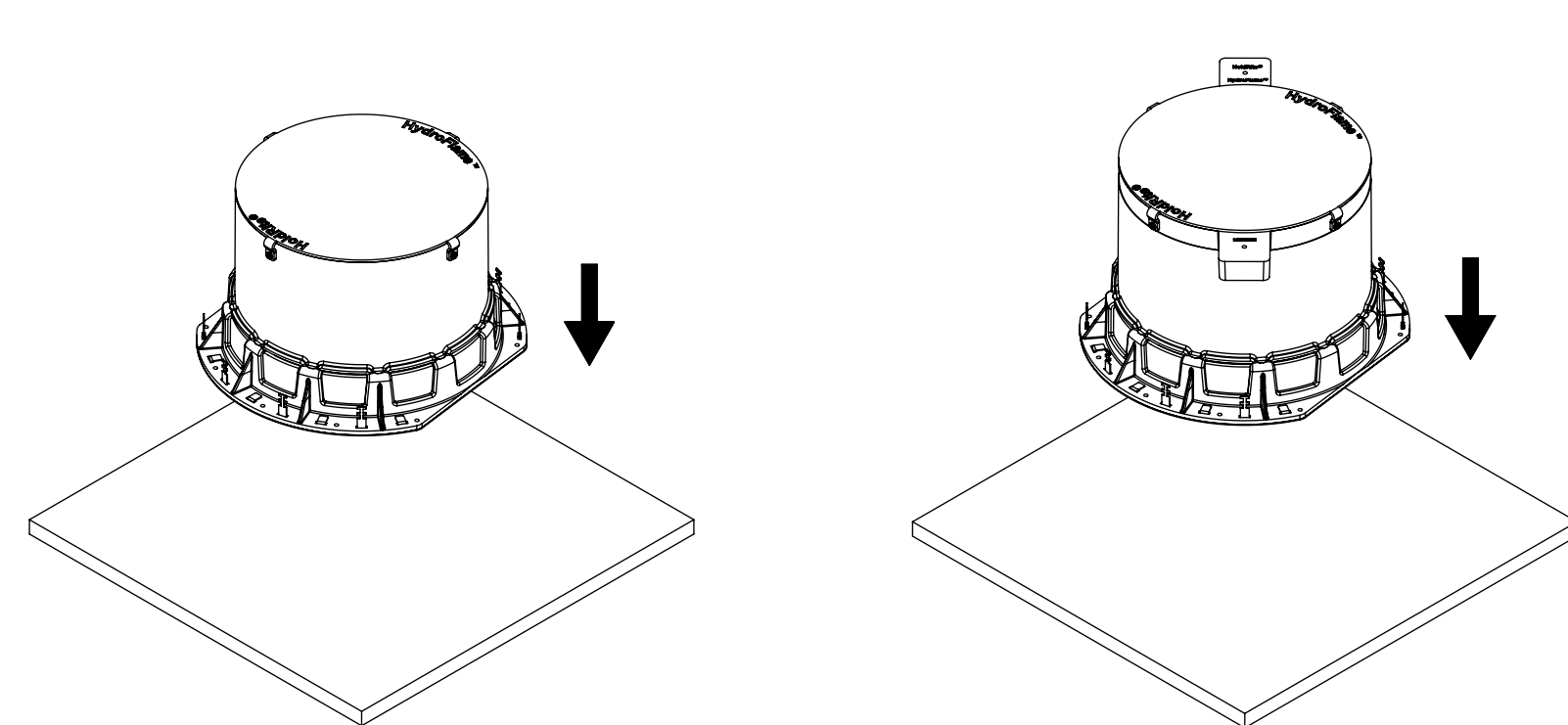


LESS THAN 8" SLAB

GREATER THAN 8" SLAB

**STEP #1**

(REMOVE END CAP AND CUT TO DESIRED HEIGHT IF LESS THAN 8 INCHES OR INSTALL EXTENSIONS AS REQUIRED FOR SLAB HEIGHT. APPLY PVC SOLVENT CEMENT TO EXTENSIONS AND BASE)

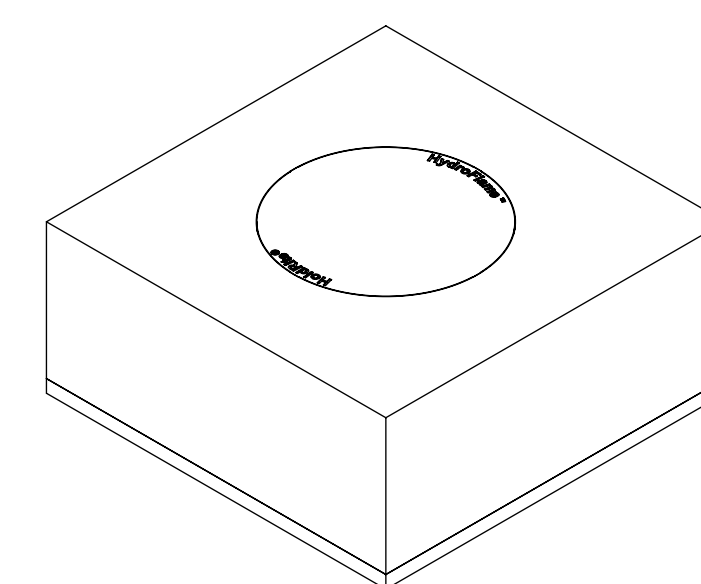


LESS THAN OR EQUAL TO 8" SLAB

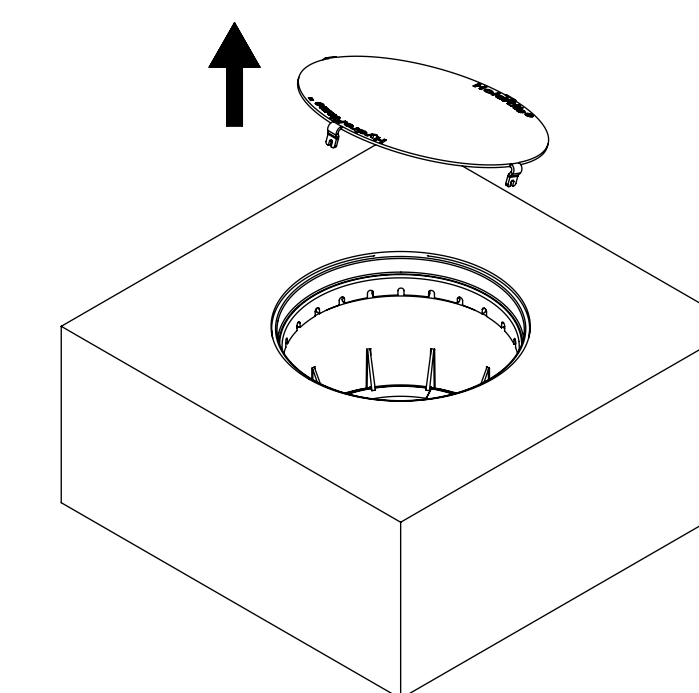
GREATER THAN 8" SLAB

**STEP #2**

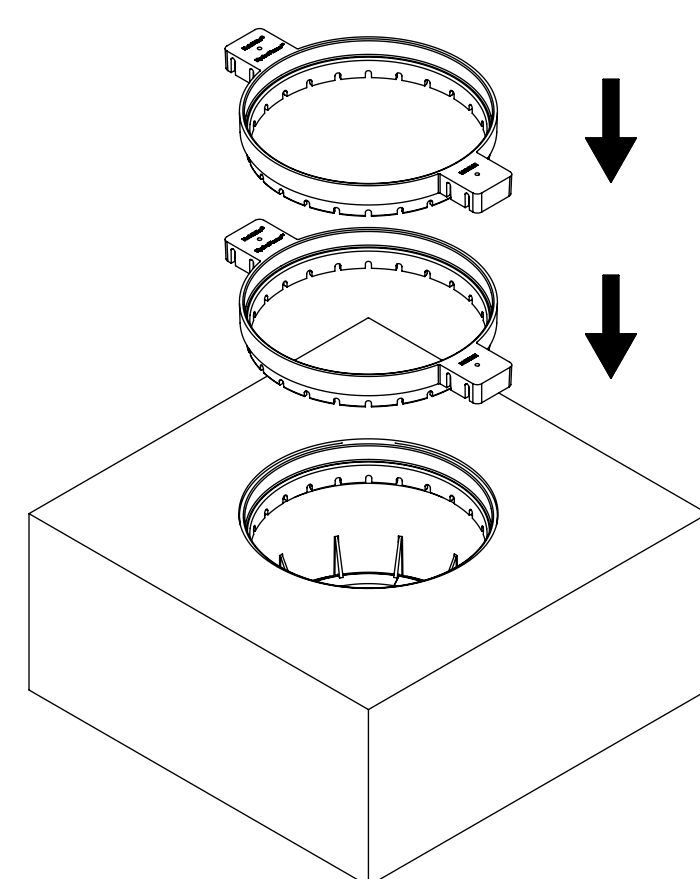
(REINSTALL CAP WITH SCREWS AND SECURE TO FORM DECK)



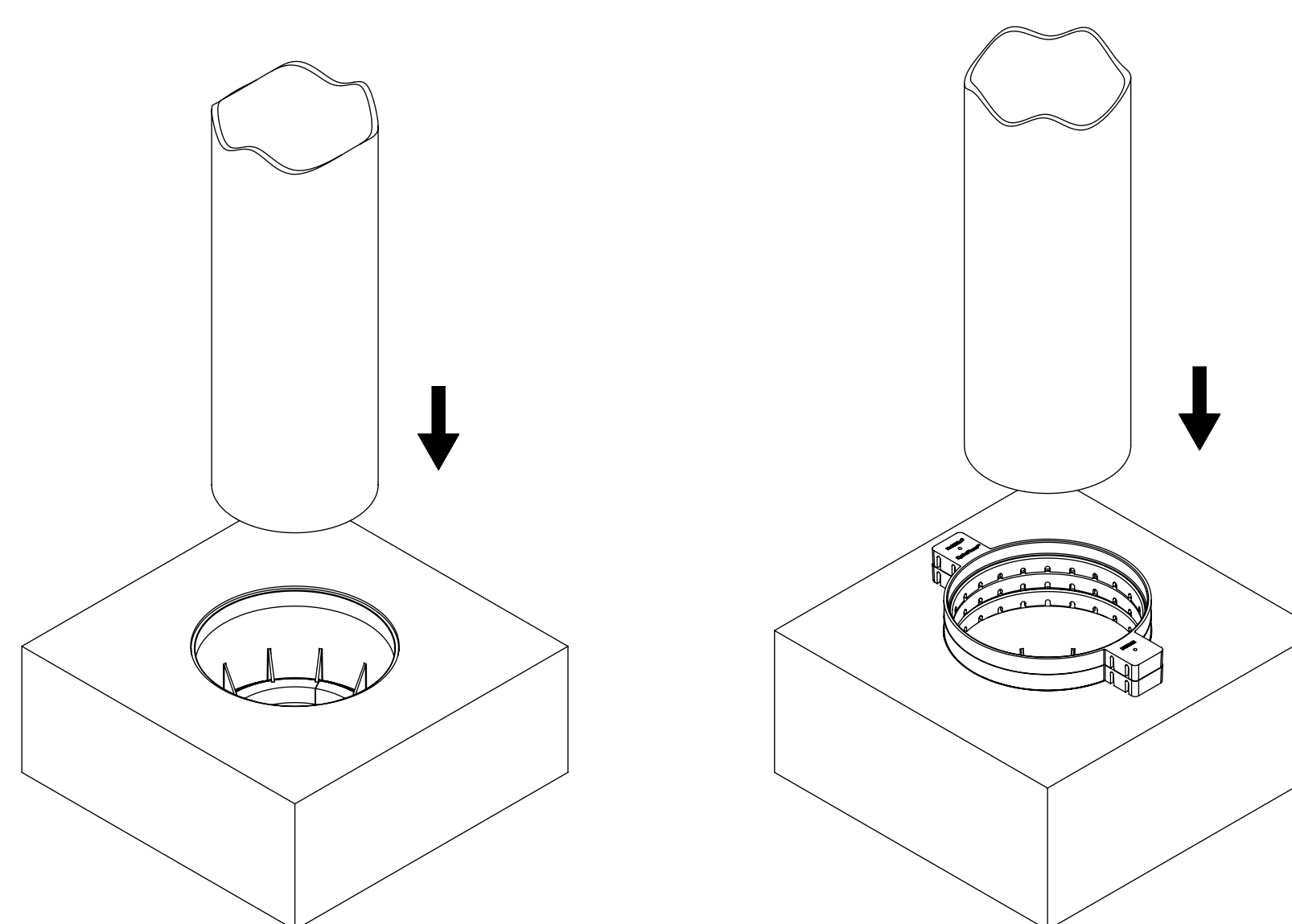
**STEP #3**  
(POUR CONCRETE)



**STEP #4**  
(REMOVE SAFETY CAP)



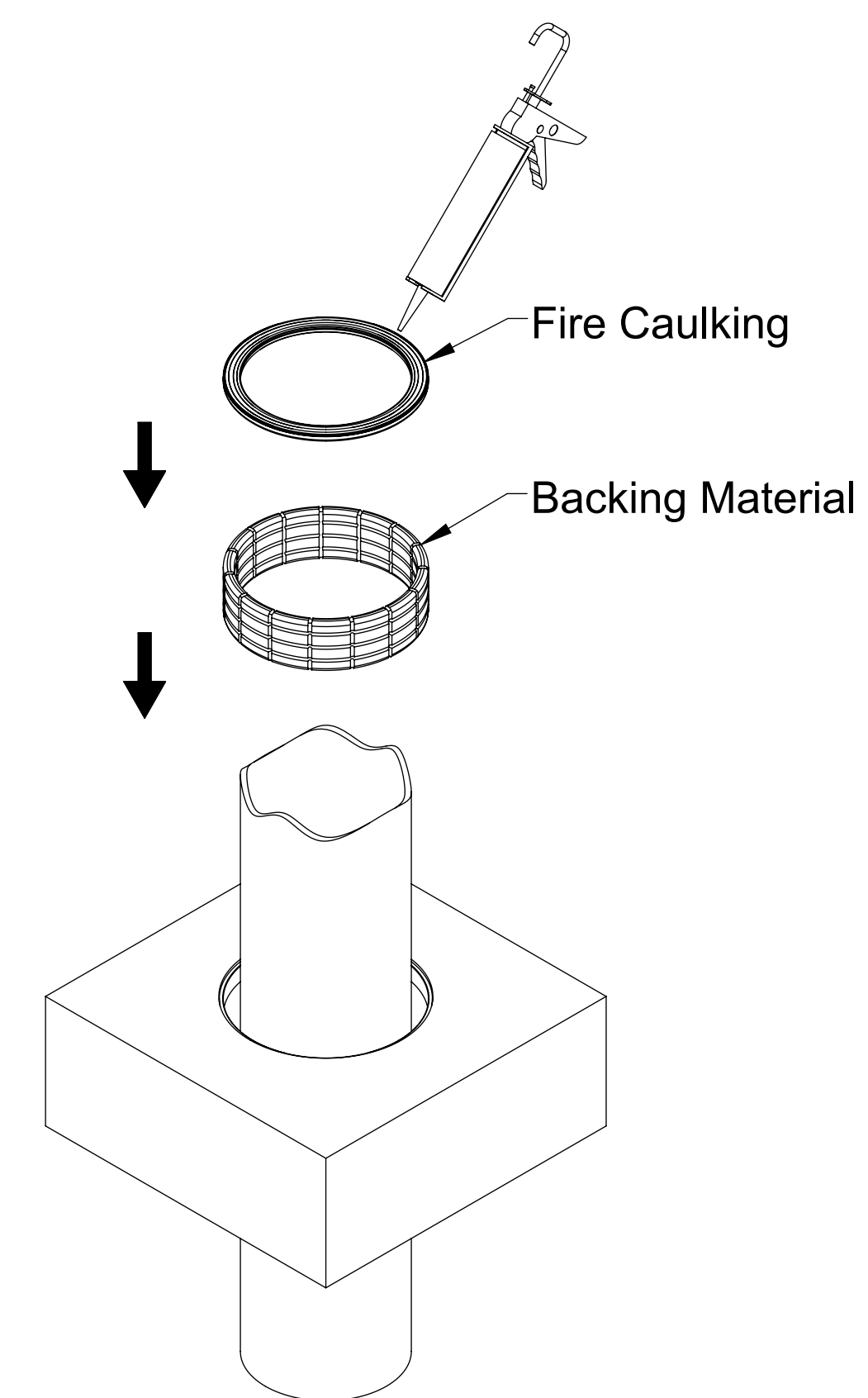
**STEP #5: FOR WATER DAM (IF REQUIRED)**  
(INSTALL EXTENSIONS. APPLY PVC SOLVENT CEMENT TO SECURE EXTENSIONS TO EACH OTHER AND TO BASE)



SHOWN WITHOUT WATER DAM

SHOWN WITH WATER DAM

**STEP #6**  
(INSTALL PENETRANT FROM THE TOP)



**STEP #7**  
INSTALL BACKING MATERIAL & FIRE CAULKING AS REQUIRED BY UL SYSTEM DETAIL. (WITH OR WITHOUT WATER DAM)