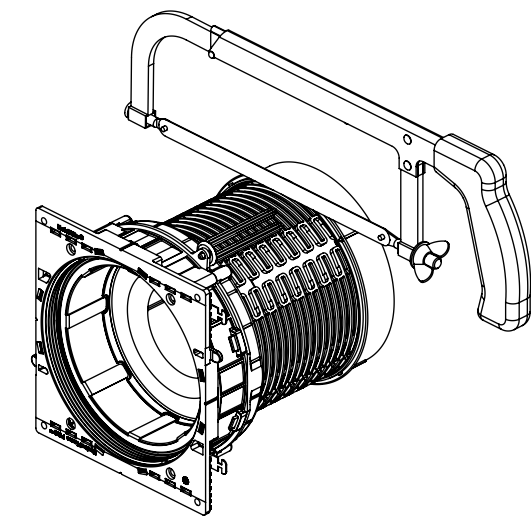
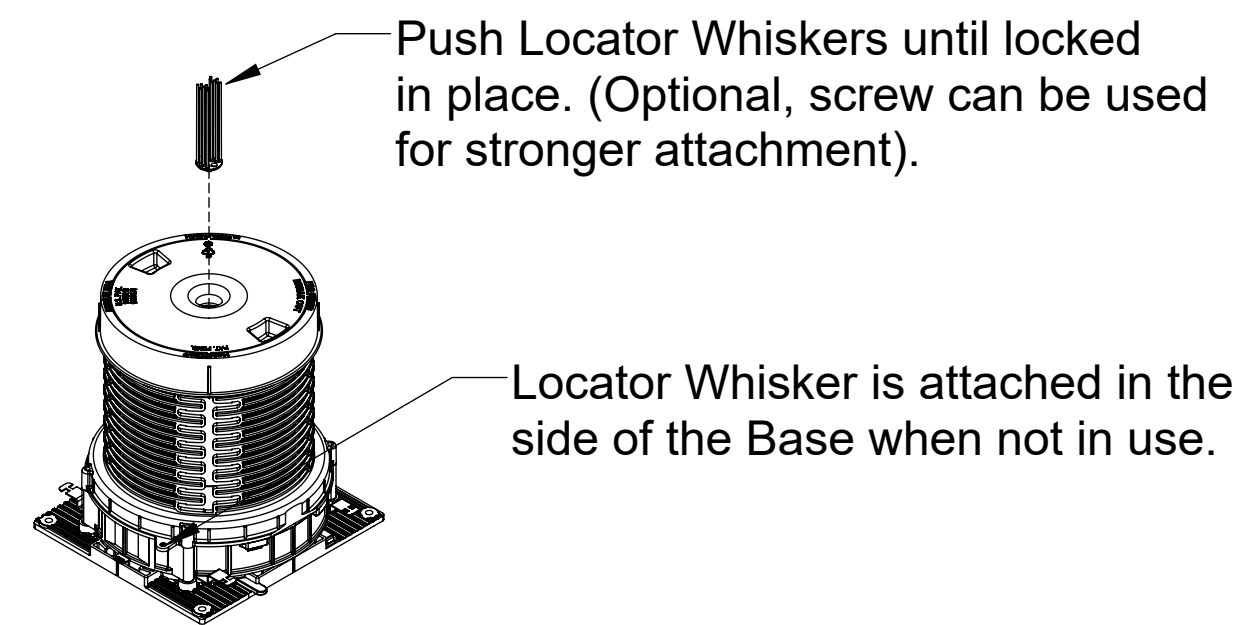


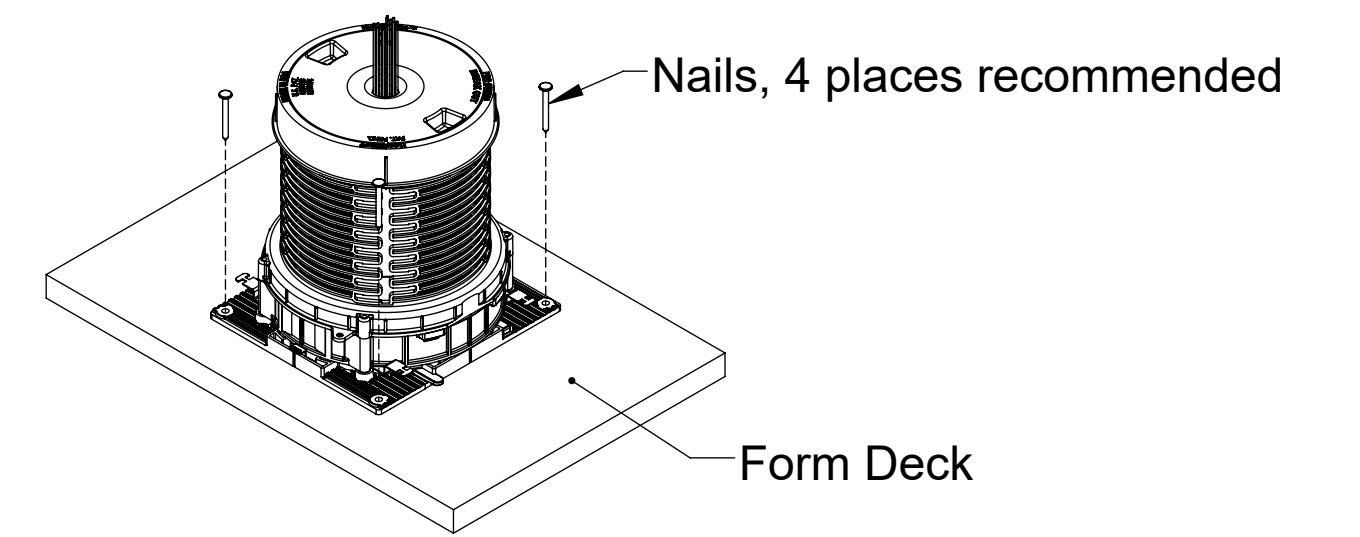
FIRESTOP SLEEVE WITH ADJUSTABLE CAP. "-B" VERSION, 7-1/4" THRU 8" TALL WITH ADJUSTABLE CAP. (Fig. 1)



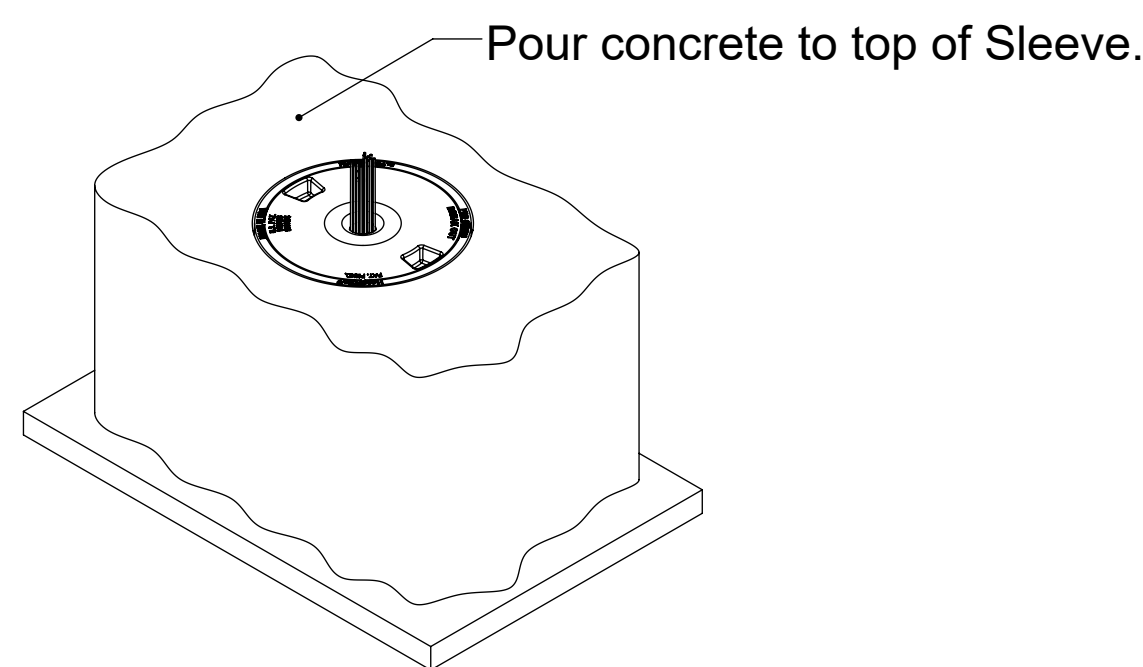
CUT SLEEVE, IF DESIRED HEIGHT IS UNDER 7-1/4". CAN BE CUT AS SHORT AS 3-1/2" (Fig. 2)



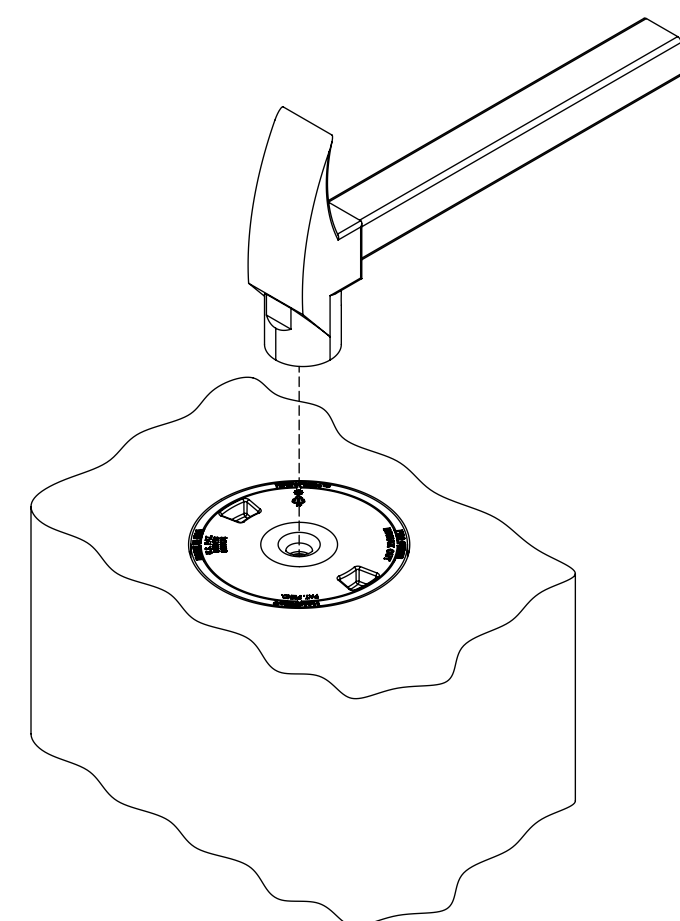
INSERT WHISKERS. (Fig. 3)



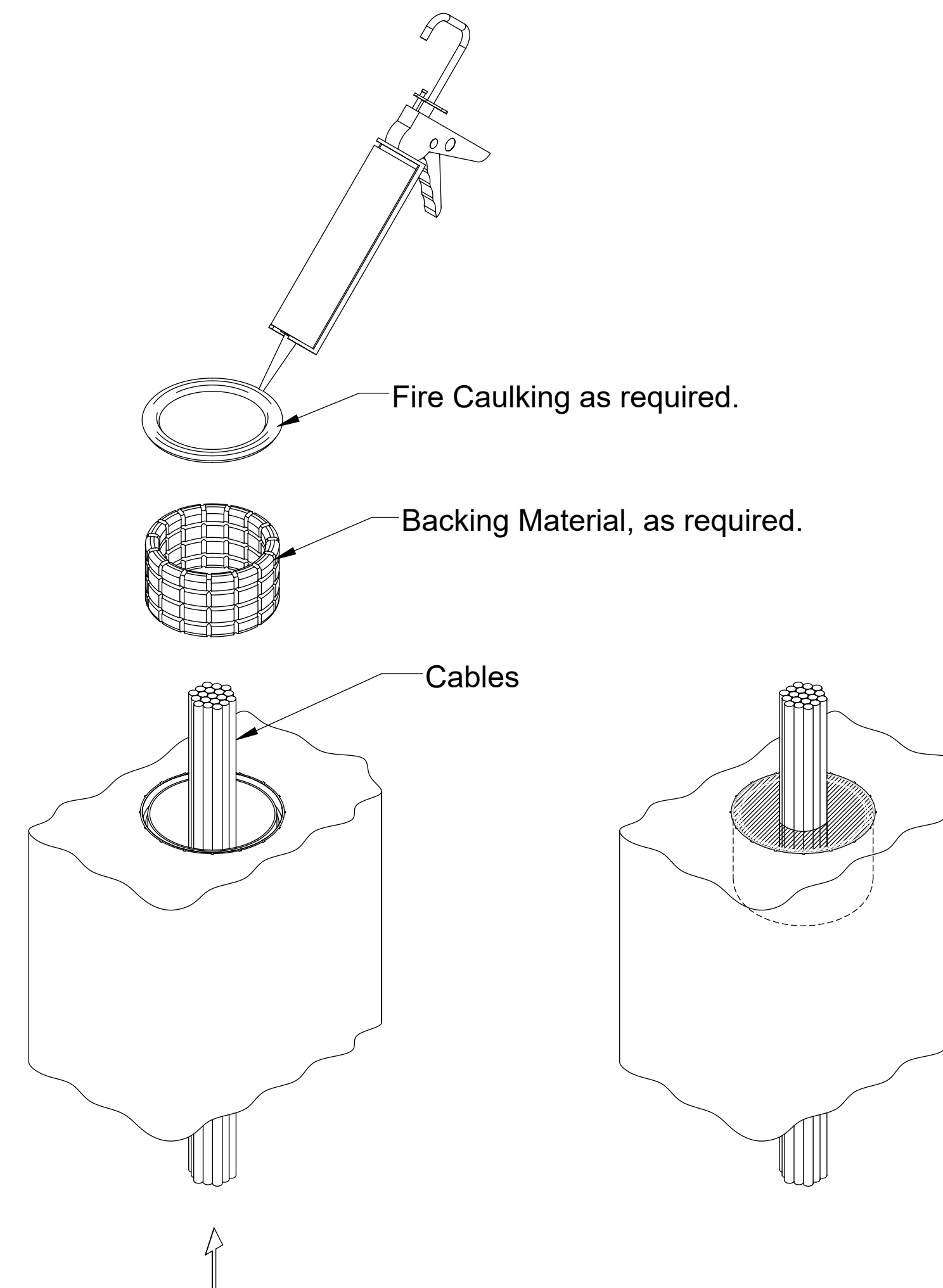
NAIL TO FORM DECK. (Fig. 4)



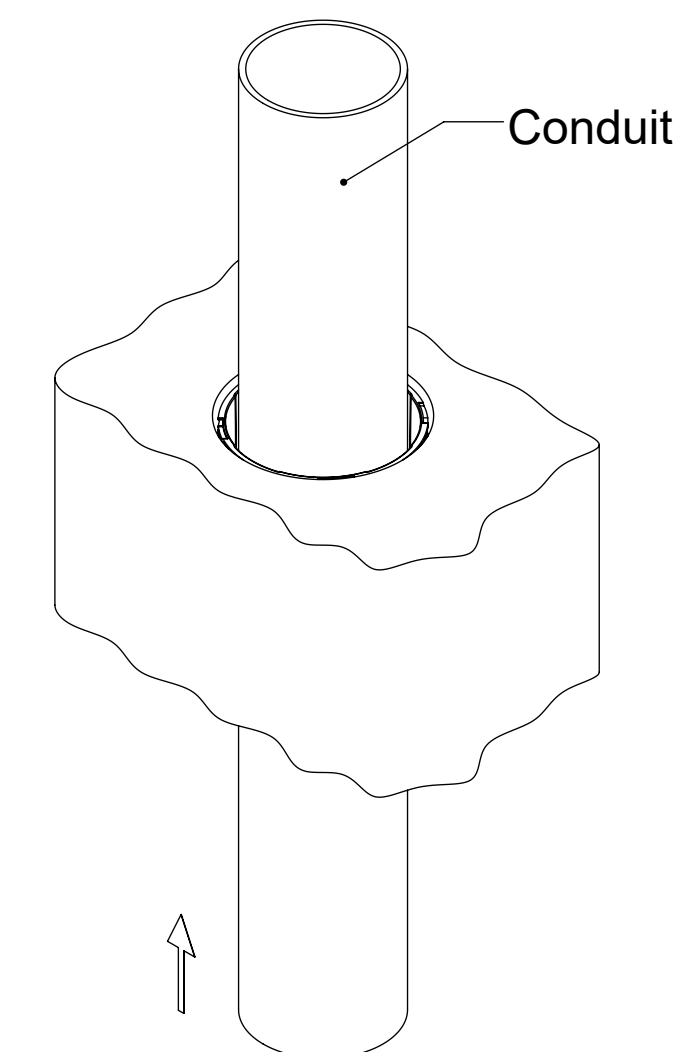
POUR IN CONCRETE. (Fig. 5)



BREAK-OUT CAP WITH HAMMER. (Fig. 6)



INSTALL CABLES OR CONDUIT FROM BELOW, INSTALL BACKING MATERIAL & FIRE CAULKING AS REQUIRED. (Fig. 7)



Hydroflame PRO Series, HFP-GB Electrical Firestop Sleeve with Adjustable Cap. Rev A, 08-06-21.
 See Hydroflame Pro - "Best Practices" document and UL's online certification directory (file R25101) for more details.
 ** W - Rated when penetrant is centered within sleeve or if mineral wool or sealant is used. Consult individual UL System Detail for further information.