

# HIGHLAND WET

**904160FCW-NWA**

HIGHLAND WET 60" FAN

DETAILS	
FAN FINISH:	Chalk White
BLADE COUNT:	5
SLOPE DEGREE:	20

DIMENSIONS	
WIDTH:	60"
HEIGHT:	13.5"
TOP TO OUTLET:	0

LIGHT SOURCE	
VOLTAGE:	120v

MOUNTING	
CANOPY:	6" Dia.
LEAD WIRE:	1 x 76"



Highland Wet was designed with versatility in mind. From its practical features to its variety of finish options, this transitional fan will complement any and every space. Highland Wet is offered in two sizes and looks sharp in its Metallic Matte Bronze, Brushed Nickel, Chalk White or Matte Black finish options.

## PRODUCT DETAILS:

- This item includes a 4.5" down rod. Other various lengths of down rods are available and sold separately to customize the installation height.
- Suitable for use in wet (interior direct splash and outdoor direct rain or sprinkler) locations as defined by NEC and CEC. Meets United States UL Underwriters Laboratories.
- This item may be hung on a sloped ceiling
- Pull chain manual reverse, accessory controls available
- The Regency Series features a range of traditional ceiling fans designed to enhance a wide variety of spaces with ease.
- Motor carries a lifetime warranty
- Blades, controls, switches, capacitors and hardware carry a 1 year warranty
- Merging the best of traditional and modern elements, with a sophisticated and streamlined look

# HINKLEY

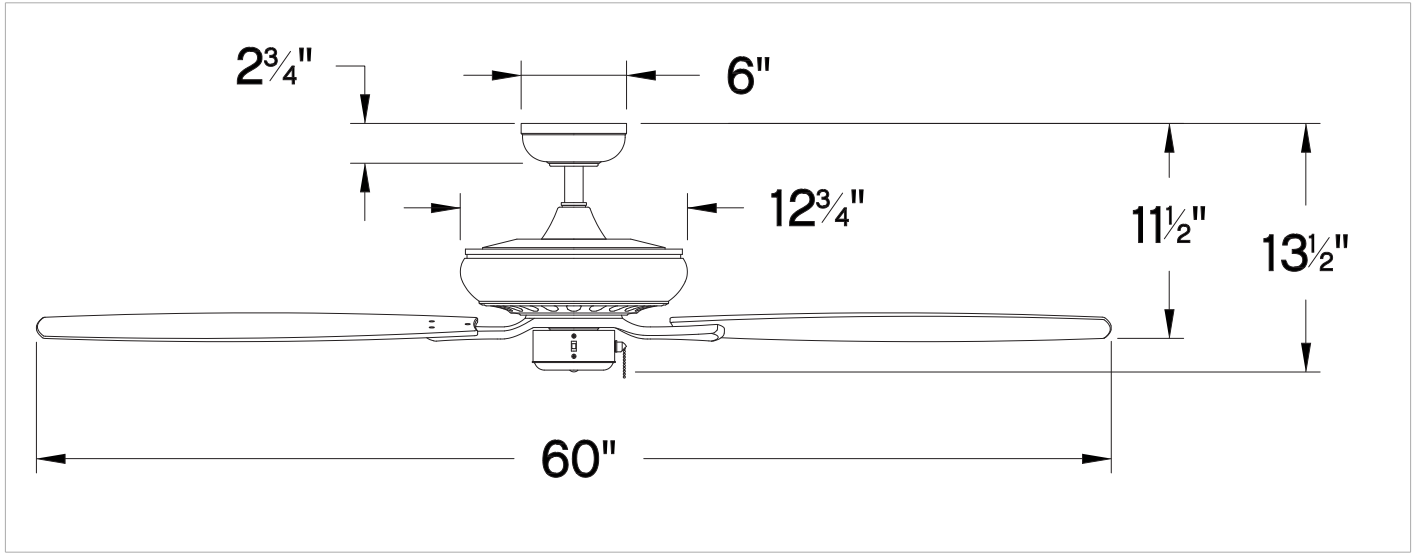
HINKLEY  
33000 Pin Oak Parkway  
Avon Lake, OH 44012

PHONE: (440) 653-5500  
Toll Free: 1 (800) 446-5539

[hinkley.com](http://hinkley.com)

# HIGHLAND WET 60" FAN

904160FCW-NWA



PERFORMANCE SPECIFICATIONS	STANDARD	
	HIGH SPEED	AVERAGE SPEED
Airflow	6629	4465
EnergyUse	82.6	50
EnergyCost	23	14
Efficiency	80	89
AMPS	0.69	0.48
RPMS	142	96

**AVERAGE PERFORMANCE AND ENERGY INFORMATION**

## ENERGYGUIDE

<p>Estimated Yearly Energy Cost</p> <h1 style="font-size: 2em;">\$14</h1> <div style="border: 1px solid black; width: 100px; margin: 5px auto; text-align: center;"> <span style="font-size: 0.8em;">\$3</span>       <span style="font-size: 0.8em;">\$34</span> </div> <p style="font-size: 0.8em;">Cost Range of Similar Models (19" – 84")</p> <ul style="list-style-type: none"> <li>• Based on 12 cents per kWh and 6.4 hours use per day</li> <li>• <b>Your cost depends on rates and use</b></li> <li>• Energy Use: 50 Watts</li> </ul>	<p>Airflow</p> <h1 style="font-size: 2em;">4,465</h1> <p style="font-size: 0.8em;">Cubic Feet Per Minute</p> <ul style="list-style-type: none"> <li>• The higher the airflow, the more air the fan will move</li> <li>• Airflow Efficiency: 89 Cubic Feet Per Minute Per Watt</li> </ul>
---	--

All estimates based on typical use, excluding lights [ftc.gov/energy](http://ftc.gov/energy)

Airflow Shown is a Weighted Average of High and Low Cubic Feet per Minute Based on Downrod

# HINKLEY

**HINKLEY**  
33000 Pin Oak Parkway  
Avon Lake, OH 44012

**PHONE: (440) 653-5500**  
Toll Free: 1 (800) 446-5539

[hinkley.com](http://hinkley.com)