

# CROFT

904052FCW-LIA

CROFT 52" LED FAN

| DETAILS       |             |
|---------------|-------------|
| FAN FINISH:   | Chalk White |
| GLASS:        | Etched Opal |
| BLADE COUNT:  | 5           |
| SLOPE DEGREE: | 20          |

| DIMENSIONS     |       |
|----------------|-------|
| WIDTH:         | 52"   |
| HEIGHT:        | 13.5" |
| TOP TO OUTLET: | 0     |

| LIGHT SOURCE |      |
|--------------|------|
| VOLTAGE:     | 120v |

| MOUNTING   |         |
|------------|---------|
| CANOPY:    | 6" Dia. |
| LEAD WIRE: | 1 x 76" |



Croft features a clean and modern design, but maintains its traditional feel featuring pull chain functionality and a high-quality LED light kit. Offered in three sizes in an array of finishes and blades, Croft is designed to suit any decor.

## PRODUCT DETAILS:

- This item includes a 4.5" down rod. Other various lengths of down rods are available and sold separately to customize the installation height.
- Suitable for use in dry (indoor) locations as defined by NEC and CEC. Meets United States UL Underwriters Laboratories & CSA Canadian Standards Association Product Safety Standards
- Meets California Energy Commission 2013 & 2016 Title regulations/JA8
- This item may be hung on a sloped ceiling
- Pull chain manual reverse, accessory controls available
- Each customizable blade offers two finish options; simply reverse the blade to select your preferred finish.
- The Regency Series features a range of traditional ceiling fans designed to enhance a wide variety of spaces with ease.
- LED components carry a 5-year limited warranty

# HINKLEY

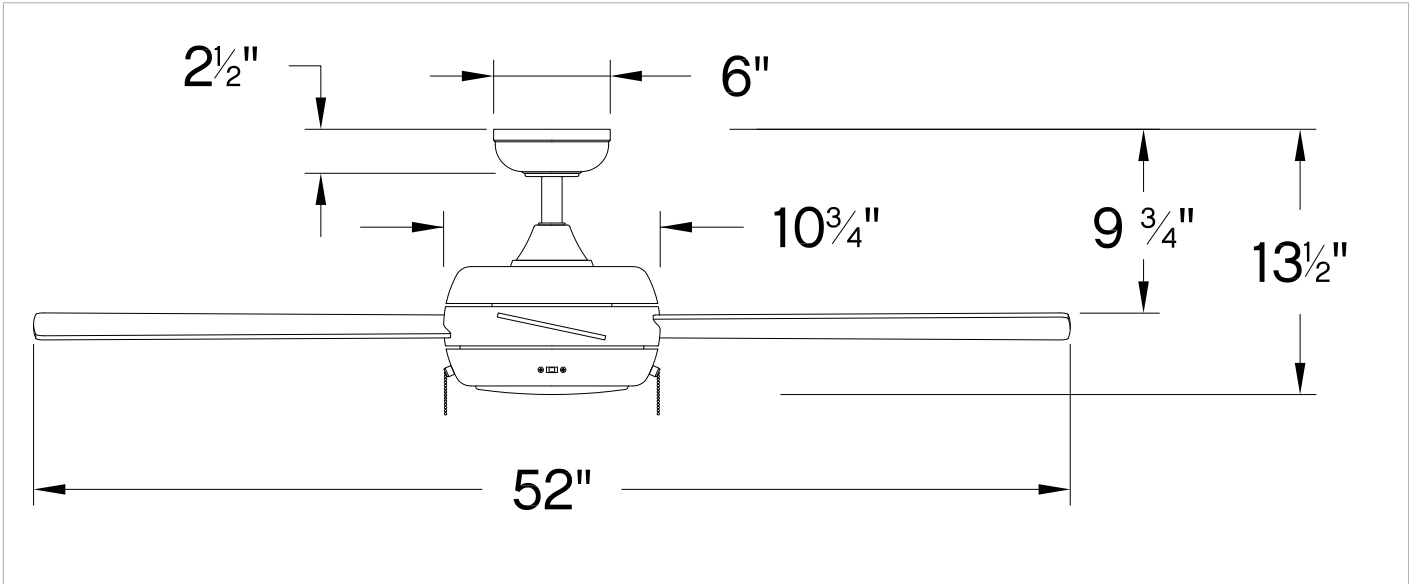
HINKLEY  
33000 Pin Oak Parkway  
Avon Lake, OH 44012

PHONE: (440) 653-5500  
Toll Free: 1 (800) 446-5539

[hinkley.com](http://hinkley.com)

# CROFT 52" LED FAN

904052FCW-LIA



| PERFORMANCE SPECIFICATIONS | STANDARD   |               |
|----------------------------|------------|---------------|
|                            | HIGH SPEED | AVERAGE SPEED |
| Airflow                    | 5039       | 3675          |
| EnergyUse                  | 64         | 41            |
| EnergyCost                 | 18         | 11            |
| Efficiency                 | 79         | 90            |
| AMPS                       | 0.53       | 0.4           |
| RPMS                       | 158        | 115           |

**AVERAGE PERFORMANCE AND ENERGY INFORMATION**

## ENERGYGUIDE

Estimated  
Yearly Energy Cost  
**\$11**

\$3 | | | \$34

Cost Range of Similar Models (19" – 84")

- Based on 12 cents per kWh and 6.4 hours use per day
- **Your cost depends on rates and use**
- Energy Use: 41 Watts

Airflow  
**3,675**  
Cubic Feet Per Minute

- The higher the airflow, the more air the fan will move
- Airflow Efficiency: 90 Cubic Feet Per Minute Per Watt

All estimates based on typical use, excluding lights ftc.gov/energy

Airflow Shown is a Weighted Average of High and Low Cubic Feet per Minute Based on Downrod

# HINKLEY

**HINKLEY**  
33000 Pin Oak Parkway  
Avon Lake, OH 44012

**PHONE: (440) 653-5500**  
Toll Free: 1 (800) 446-5539

[hinkley.com](http://hinkley.com)