

HINKLEY

30" FINNIGAN

INDOOR LED FAN



LED



CEILING FAN INSTRUCTION MANUAL

READY
TO USE.
CONTROL
PRE-PAIRED.

WE WANT YOU TO LOVE YOUR NEW FAN

SO WE'RE HERE IF YOU HAVE A QUESTION, NEED SOME HELP OR WANT TO CHAT ABOUT OUR PRODUCTS. SEND SUGGESTIONS OUR WAY TOO—WE'RE ALWAYS LOOKING TO MAKE YOUR EXPERIENCE WITH HINKLEY A POSITIVE ONE.

> SERVICE@HINKLEY.COM

> [800.HINKLEY](tel:800.HINKLEY)

> [LET'S SEE THAT HINKLEY STYLE @HINKLEY](https://www.hinkley.com)
[#HINKLEYSTYLE](https://www.hinkley.com)

This manual contains complete instructions for the installation and operation of this fan. It has been designed to make the installation process as easy as possible. If you are unfamiliar or uncomfortable with wiring, please contact a qualified electrician. If you need additional assistance or have any questions, please reach out to us.

For warranty information, visit [hinkley.com](https://www.hinkley.com).

TABLE OF CONTENTS

02	GENERAL INSTALLATION & OPERATING INSTRUCTIONS	10	INSTALLING THE WALL CONTROL
03	IMPORTANT SAFETY PRECAUTIONS	12	OPERATING
03	TOOLS & MATERIALS REQUIRED	14	CARE AND CLEANING
04	UNPACKING YOUR FAN	14	TROUBLESHOOTING
05	PREPARATION	15	ENERGY GUIDE
05	INSTALLING THE HANGING BRACKET	15	SPECIFICATIONS
06	HANGING THE FAN	16	SMART BY BOND
08	ELECTRICAL CONNECTIONS		
09	INSTALLING THE BLADES		

WARNING:

Read and follow these instructions carefully and be mindful of all warnings shown throughout.

GENERAL INSTALLATION & OPERATION INSTRUCTIONS

- 1 To ensure the success of the installation, be sure to read the instructions and review the diagrams thoroughly before beginning
- 2 To avoid possible electric shock, be sure electricity is turned off at the main power box before wiring. All electrical connections must be made in accordance with local codes, ordinances and/or the National Electric Code. If you are unfamiliar with the methods of installing electrical wiring and products, secure the services of a qualified and licensed electrician as well as someone who can check the strength of the supportive ceiling members and make the proper installation(s) and connections.
- 3 **WARNING:** To reduce the risk of fire, electric shock, or other personal injury, mount fan only on an outlet box or supporting system marked acceptable for fan support of 35 lbs (15.9 kg) or less and use mounting screws provided with the outlet box. Most outlet boxes commonly used for the support of lighting fixtures are not acceptable for fan support and may need to be replaced. Consult a qualified electrician if in doubt.
- 4 Make sure that your installation site will not allow rotating fan blades to come in contact with any object. Blades should be at least 7 feet from floor.
- 5 Blades should be attached after motor housing is hung and in place. Fan motor housing should be kept in the carton until ready to be installed to protect its finish. If you are installing more than one ceiling fan, make sure that you do not mix fan blade sets as each blade is part of a weighted set.
- 6 After making electrical connections, spliced conductors should be turned upward and pushed carefully up into outlet box. The wires should be spread apart with the common conductor and the grounding conductor on one side of the outlet box, and the "HOT" wires on the other side.
- 7 Electrical diagrams are for reference only.
- 8 After fan is completely installed, check to make sure that all connections are secure to prevent fan from falling and/or causing damage or injury.
- 9 The fan can be made to work immediately after installation - the bearings are adequately charged with grease so that, under normal conditions, further lubrication is not necessary for the life of the fan.
- 10 Do not operate the reverse switch while the fan blades are in motion. The fan must be turned off and the blades stopped before reversing the blades direction.

IMPORTANT SAFETY PRECAUTIONS

WARNINGS:

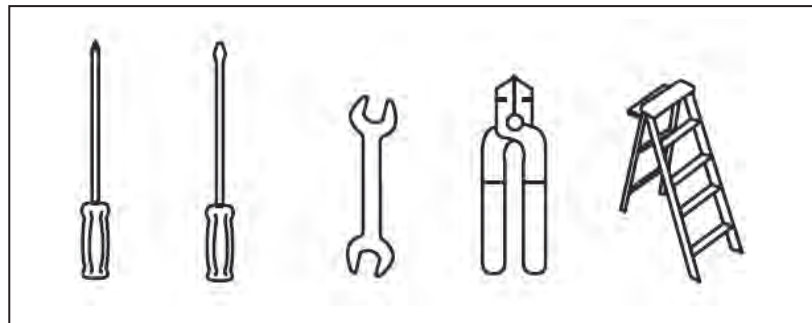
- Disconnect power by removing fuse or turning off circuit breaker before installing the fan and/or optional lighting.
- Support directly from building structure.
- To reduce the risk of fire, electric shock or personal injury, mount to outlet box marked "acceptable for fan support" and use mounting screws provided with the outlet box. Most outlet boxes commonly used for the support of lighting fixtures are not acceptable for fan support and may need to be replaced. Consult a qualified electrician if in doubt.
- Do not use this fan with any transformer type fan speed control device.
- Do not insert any object(s) between rotating fan blades.

NOTE:

The important precautions, safeguards and instructions appearing in this manual are not meant to cover all possible conditions and situations that may occur. It must be understood that common sense, caution and carefulness are factors which cannot be built into this product. These factors must be supplied by the person(s) installing, caring for and operating the unit.

TOOLS & MATERIALS REQUIRED

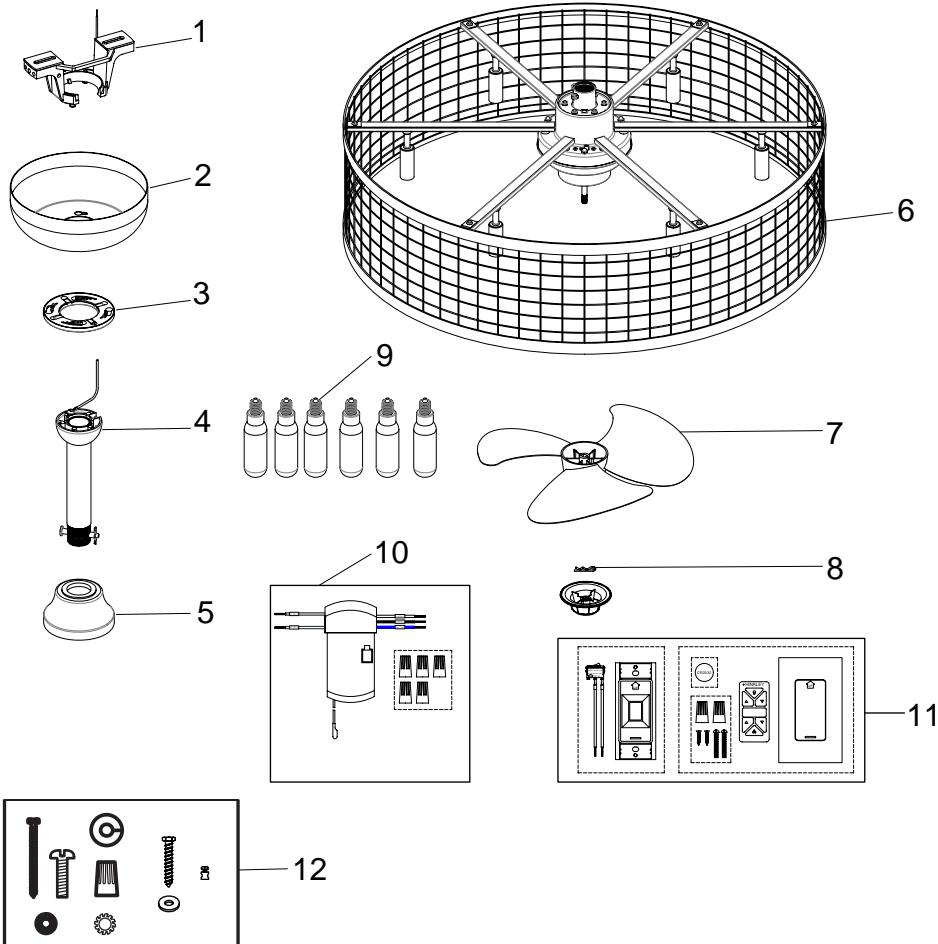
- PHILLIPS SCREWDRIVER
- FLAT SCREWDRIVER
- WRENCH OR PLIERS
- WIRE CUTTER
- STEPLADDER
- WIRING SUPPLIES AS REQUIRED BY ELECTRICAL CODE



UNPACKING YOUR FAN

UNPACK YOUR FAN AND CHECK THE CONTENTS.

- Do not discard the carton. If warranty replacement or repair is ever necessary, the fan should be returned in original packing. Remove all parts and hardware. Do not lay motor housing on its side, or the decorative housing may shift, be bent or damaged.
- Examine all parts. You should have the following:



PACKAGE CONTENT

1	Hanging Bracket	
2	Ceiling Canopy	CA900752Fxx
3	Trim Ring	
4	Downrod Asm.	DR94016Fxx
5	Yoke Cover	YC902352Fxx
6	Fan Housing with Motor	x
7	Fan blade (14")	
8	Fan nut cover With clip	BL904730Fxx
9	(6)LED Bulbs (T8, E12, 4.5W)	EST8-4.5W-27
10	Receiver Incl. 5 Wire Nuts	CN904730
11	HIRO Wall Control w/2032 Battery, Cradle A, Wall Plate, Face Plate, remote control, 2 countersunk head tapping screws 2 mechanical screws and 2 Wire Nuts Cradle B, Wall Plate, switch (for flat wall use only)	980014FWH/ CN904730
12	Hardware Bag Safety cable hardware (wood screw, flat washer, cable clamp) Bracket Mounting Hardware (wood screws, screws, lock washers, star washers, flat washers, wire nuts),	MH904730FMB

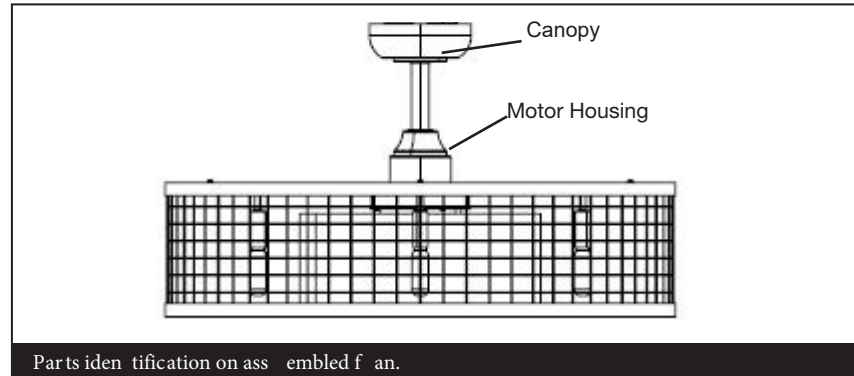
XX=FAN FINISH

PREPARATION

PREPARATION:

Verify you have all parts before beginning the installation. Check foam insert closely for missing parts. Remove motor from packing. To avoid damage to finish, assemble motor on soft padded surface or use the original foam insert in motor box.

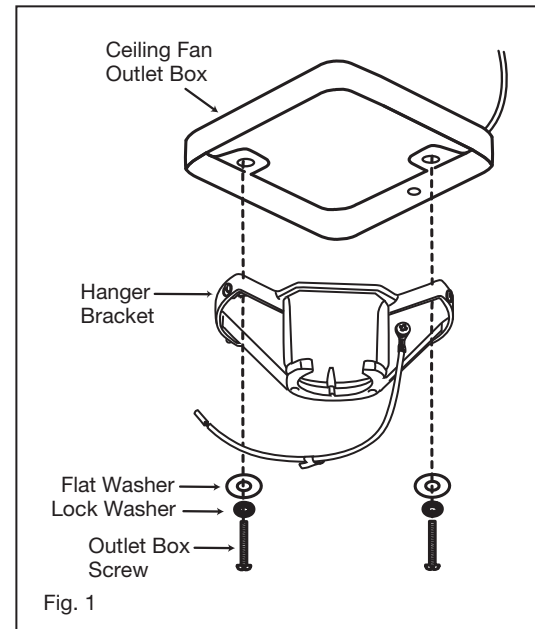
DO NOT LAY MOTOR HOUSING ON ITS SIDE AS THIS COULD RESULT IN DAMAGE OF THE DECORATIVE ENCLOSURE.



INSTALLING THE HANGING BRACKET

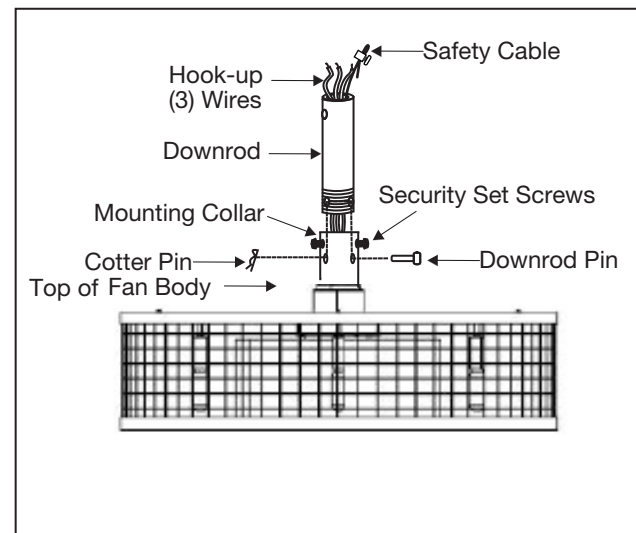
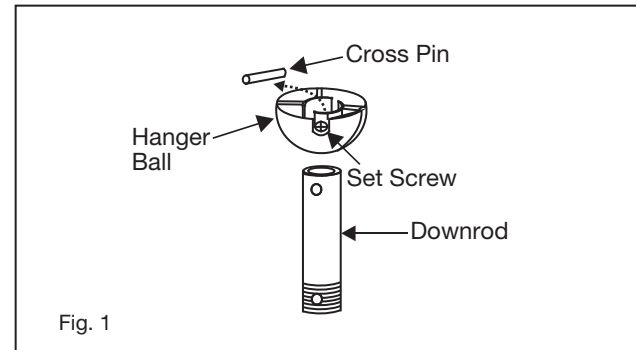
CAUTION: To avoid possible electrical shock, be sure electricity is turned off at the main power box before wiring. All wiring must be in accordance with National and Local Electrical Codes and the ceiling fan must be grounded as a precaution against possible electric shock.

- 1 Locate ceiling joist where fan is to be mounted, being sure location agrees with the requirements in the minimum clearance section of this guide. Wood joists must be sound and of adequate size to support 35 pounds (See page 2, items 3 and 4).
- 2 If not already present, mount a UL listed outlet box marked "suitable for fan support" following the instructions provided with the outlet box. The outlet box must be able to support a minimum of 35 pounds.
- 3 Remove canopy from hanger bracket. Remove twist-lock trim ring by rotating counter-clockwise. Remove canopy screw that does not have key slot in canopy. Loosen screw with key slot and remove canopy.
- 4 Attach hanging bracket to outlet box using screws provided with the outlet box.



HANGING THE FAN

- 1 Remove ball from downrod by loosening set screw in the side of the ball. Slide ball down and remove ball pin; remove ball. (Fig. 1)
- 2 Carefully support fan body (motor) in its styrofoam packing with the mounting collar (where the wires come out) facing upward.
- 3 Loosen the two security set screws and remove the downrod pin and cotter pin from the coupler on top of the motor assembly. (Fig. 2)
- 4 Carefully feed the electrical lead wires and safety cable from the fan through the downrod. Thread downrod into coupler until holes align. Insert downrod pin through holes in mounting collar and downrod; clip cotter pin through small hole in end of downrod pin to hold downrod in place.
- 5 Tighten security set screws against downrod using a large flat blade screwdriver to ensure a tight fit against downrod. Tighten nuts against mounting collar.



HANGING THE FAN

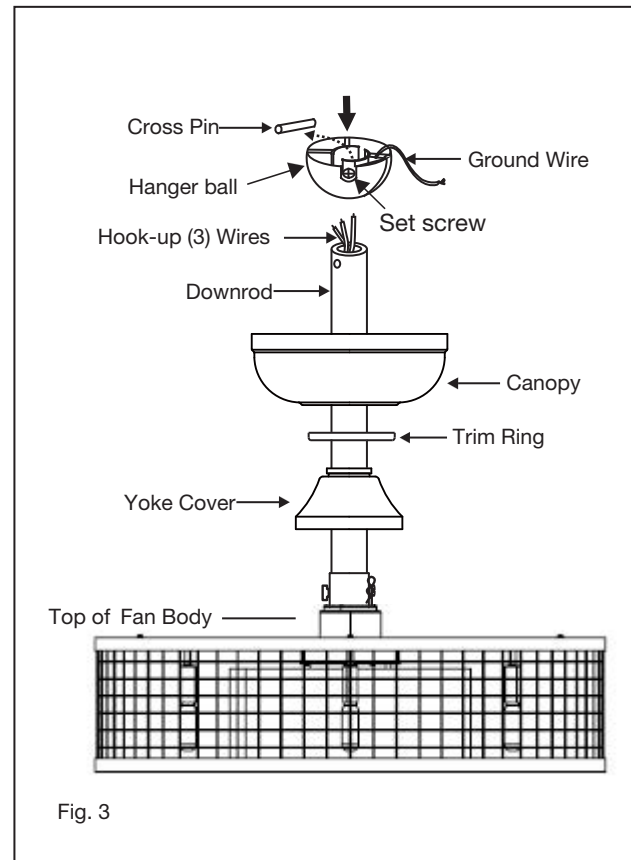
REMEMBER to turn off the power before you begin.

To properly install your ceiling fan, follow the steps below.

- 6 Slip the yoke cover, trim ring and canopy onto the downrod. (Fig. 3)
- 7 Slide the hanger ball onto the downrod, insert the cross pin through the downrod and tighten. Tighten the set screw
- 8 Lift ball/downrod/fan into hanger bracket opening should fit in slot **NOTE:** The tab opposite hanger bracket opening on ball. (Fig. 4)

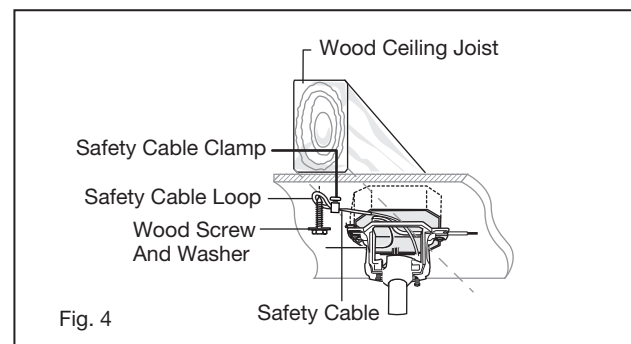
NOTE:

6 feet of lead wire is supplied on the fan for use with longer downrods.



INSTALLATION OF SAFETY CABLE SUPPORT

Attach the wood screw and the flat washer to the ceiling joist as shown (do not fully tighten). Slide the cable clamp onto the safety cable from the fan. Loop the safety cable around the wood screw that was just attached to ceiling joist. Feed the end of the cable into the clamp and pull as much cable through as possible. Firmly tighten screw in the clamp. Cut off excess cable.



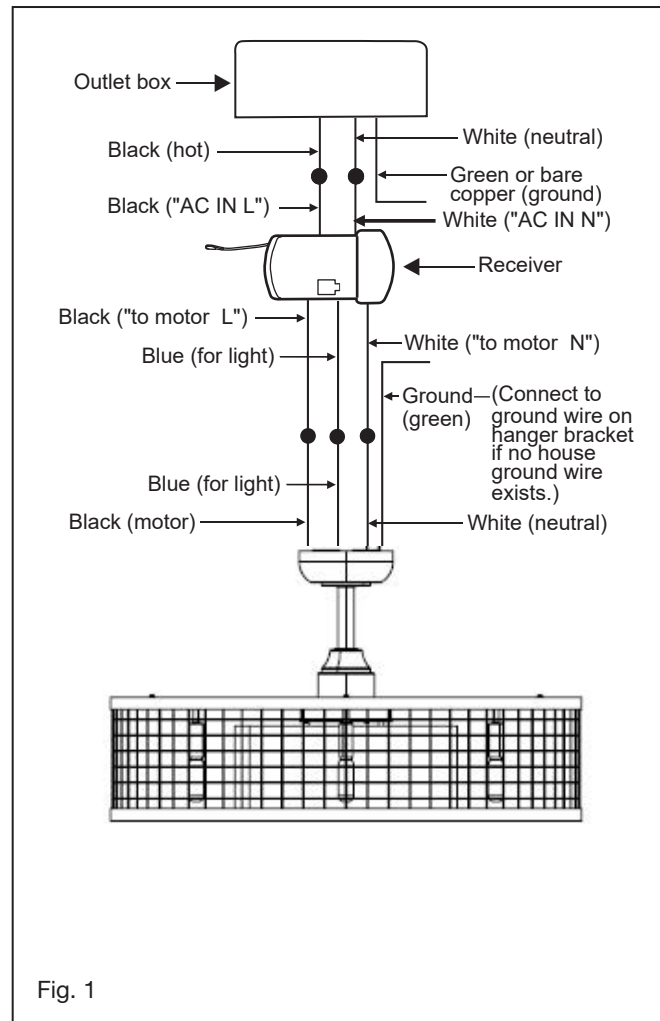
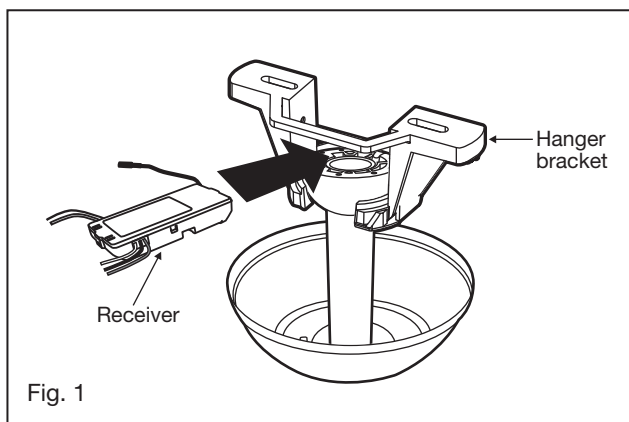
ELECTRICAL CONNECTIONS

REMEMBER -Turn off the power! **NOTE** - Control must be installed within 30 feet of fan.

CAUTION: To reduce the risk of electric shock, this fan must be installed with an isolating wall control/switch.

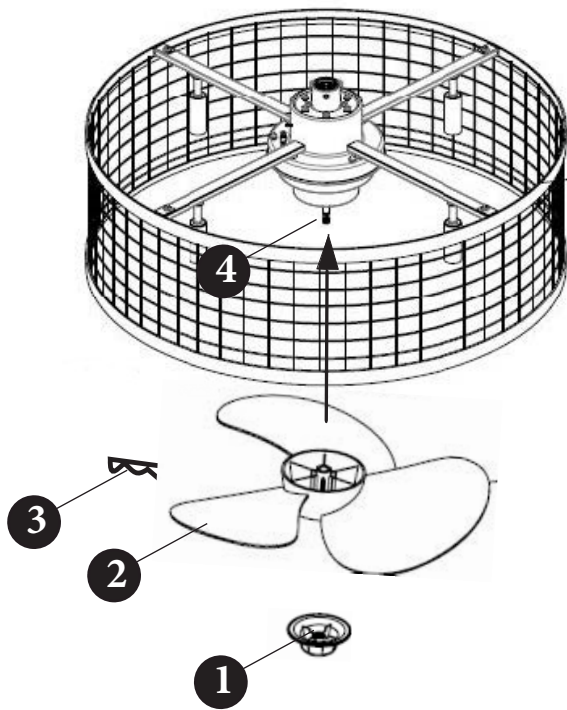
- 1 **Motor to Receiver Electrical Connections:** Connect the black wire from the fan to the black wire marked "TO MOTOR L" on the receiver. Connect the white wire from the fan to the white wire marked "TO MOTOR N" on the receiver. Connect the blue wire from the fan to the blue wire marked "FOR LIGHT" on the receiver. Secure all the wire connections with the plastic wire nuts provided.
- 2 **Receiver to House Supply Wires Electrical Connections:** Connect the black (hot) wire from the ceiling to the black wire marked "AC in L" from the receiver. Connect the white (neutral) wire from the ceiling to the white wire marked "AC in N" from the Receiver. Secure the wire connections with the plastic wire nuts provided.

WARNINGS: Check to see that all connections are tight, including ground, and that no bare wire is visible at the wire nuts, except for the ground wire.



INSTALLING THE BLADES

- 1 Press blade (2) onto motor shaft making sure pin in shaft seats in slot in top of blade
- 2 Attach clip (3) through hole in motor shaft (4)
- 3 Thread decorative cap (1) onto end of motor shaft (Left Hand Thread)



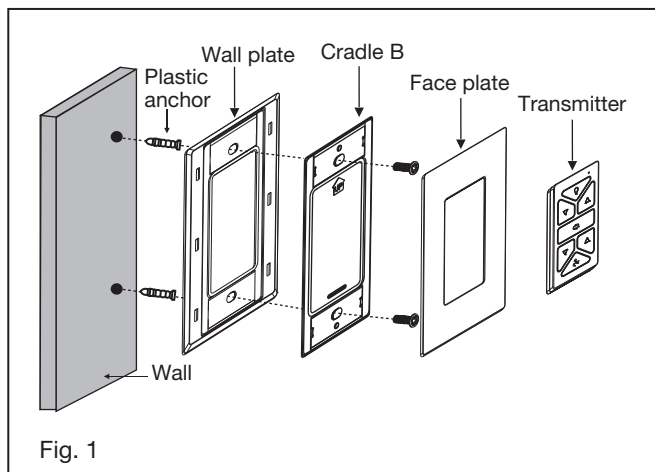
INSTALLING THE WALL CONTROL

REMEMBER to turn off the power before you begin.

NOTE - Secures to any surface or application: flat wall, single gang box, multi gang box.

Option 1. Flat Surface Installation

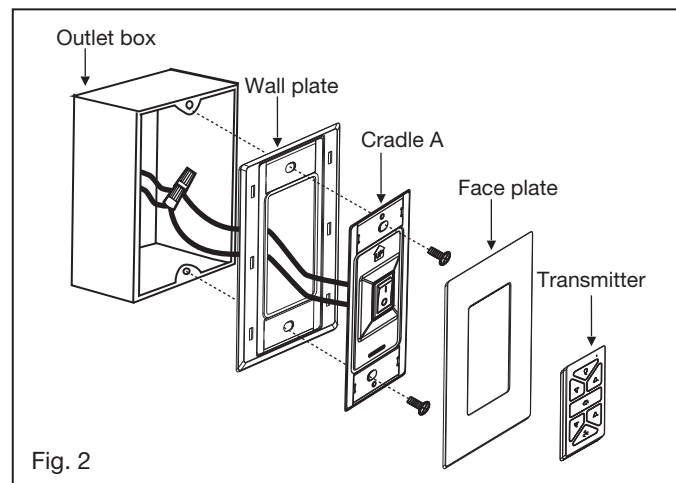
- 1 Select a desired location. Use the wall plate to mark the location of the mounting holes. Plastic wall anchors or mounting screws are needed for this application. (Fig. 1)
- 2 Seat the cradle B into the wall plate. Secure the wall plate to the wall using the provided hardware.
- 3 Snap the face plate cover onto the wall bracket.
- 4 Remote transmitter will be held in place with built in magnets.



HIRO HIRO Control System

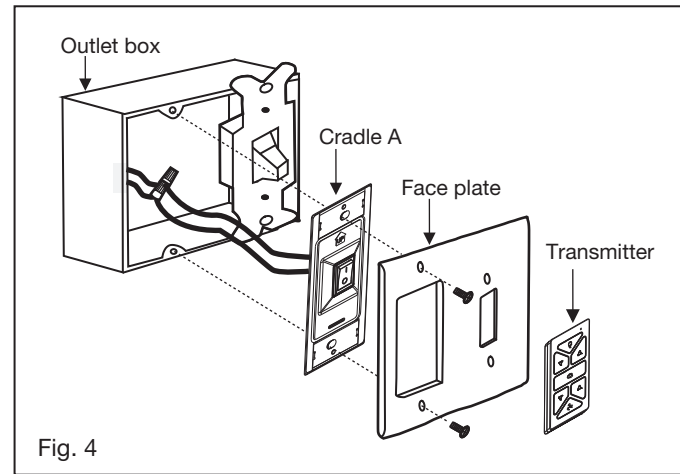
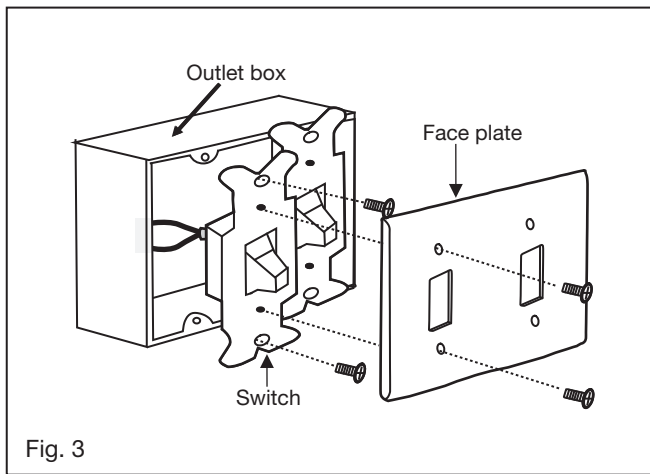
Option 2. For single gang box

- 1 Remove the existing wall plate and the old switch from the wall outlet box.
- 2 Seat the cradle A into the wall plate. (Fig. 2)
- 3 Connect the black lead wires from the switch in the cradle A to the black wires in the switch box. Hot input wire to one of the cradle A switch leads. Power lead to the fan is connected to the remaining switch lead.
- 4 Connect the wall plate / cradle A assembly to the wall outlet box using the supplied hardware.
- 5 Snap the face plate cover onto the wall bracket.
- 6 Remote transmitter will be held in place with built in magnets.



Option 3. Multi Gang Wall Switch Box Installation

- 1 Remove the existing wall plate and old switch from the wall outlet box. (Fig. 3)
- 2 Connect the black lead wires from the switch in the cradle A to the black wires in the switch box. Hot input wire to one of the cradle switch leads. Power lead to the fan is connected to the remaining switch lead. (Fig. 4)
- 3 Attach the cradle A to the wall switch box using the supplied hardware.
- 4 Attach the multi-gang faceplate to the switch set in the wall outlet box. Cradle A of Hinkley switch will fit in any standard decorative face plate.
- 5 Remote transmitter will be held in place with built in magnets.




 **HIRO HIRO Control System**

OPERATION


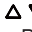



Your fan is equipped with an automatically learned type remote control. There is no frequency switches on the receiver or transmitter. The fan can start to use once the pairing process is done.

Remove the panel from the transmitter and then install one 2032 battery (included). You need to use a screwdriver to open or close the battery cover. To prevent damage to transmitter, remove the battery if not use for long periods of time (Fig. 1)

 **WARNING:** Chemical Burn Hazard. Keep batteries away from children.

This product contains a lithium button/coin cell battery. If a new or used lithium button/coin cell battery is swallowed or enters the body, it can cause severe internal burns and can lead to death in as little as 2 hours. Always completely secure the battery compartment. If the battery compartment does not close securely, stop using the product, remove the batteries, and keep it away from children. IF you think batteries might have been swallowed or placed inside any part of the body, seek immediate medical attention.


The batteries shall be disposed of properly, including keeping them away from children; Even used cells may cause injury.

-  button
Press this button and release instantly to turn on or off the light.
-  button
Press and hold to dim or brighten lights to the desired level and release.
-  button
Press button for turn on and setting 1-3 fan speed.
-  button
Press this button to turn the fan off.
-  Signal light (Fig. 2)

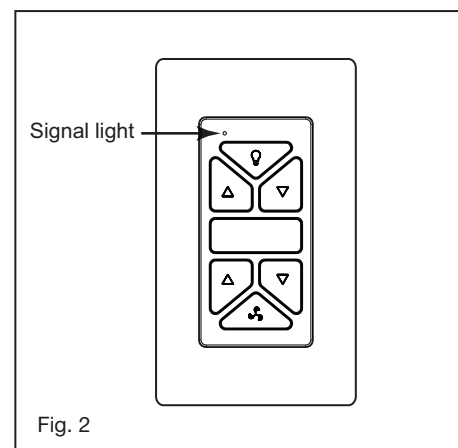
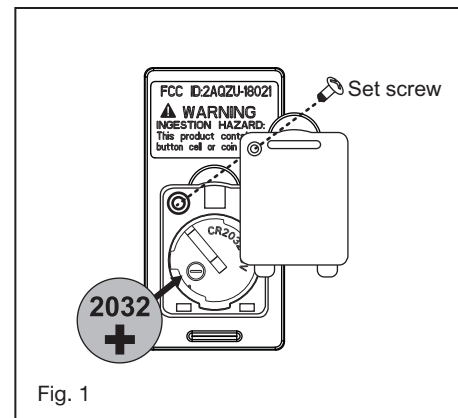
Pairing Process

NOTE: If installing/pairing more than one fan in an area, the power must be disconnected from all fans except the one fan being paired.

NOTE: Fan must be fully installed with the blades prior to pairing the controls.

With the fan's power off, restore power to the fan. Press and hold "  " button for about 5 seconds and release. If optional light kit is installed, the light kit will flash three times and the motor spin up for 10 seconds on low speed. The fan has completed the pairing process with the wall control and is ready for use.

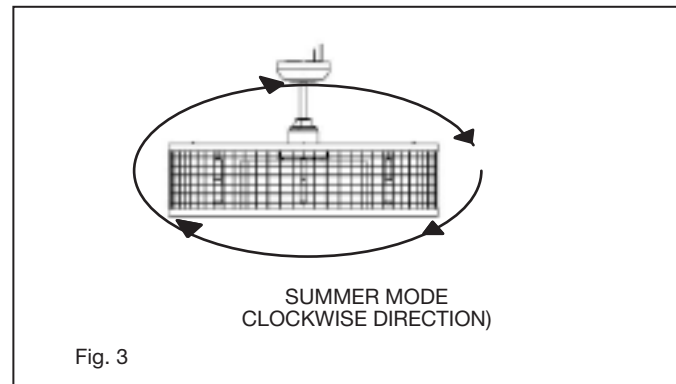
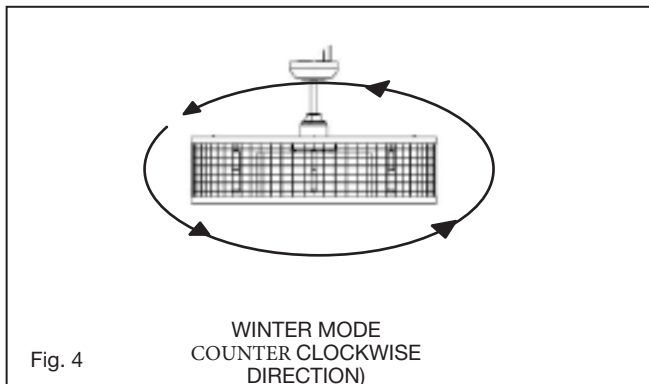
NOTE: A single fan can be controlled with as many as 3 wall controls in one room. Every control will need to repeat the pairing process based on instructions above and all controls must be within 30 feet of the fan.



HIRO HIRO Control System

Summer Mode and Winter Mode Operation

- 7 Summer Mode:
A DOWNWARD airflow creates a cooling effect as shown in Figure 3. This allows you to set your air conditioner on a warmer setting without affecting your comfort.
- 8 Winter Mode :
An UPWARD airflow moves warmer air off the ceiling area as shown in Figure 4. This allows you to set your heating unit on a cooler setting without affecting your comfort.



Reversing switch to change blade direction is located on the top of motor housing.

CARE AND CLEANING

Periodically it may be necessary to re-tighten screws to prevent clicking or humming sound during operation. This is especially true in climates with broad temperature and humidity ranges.

When dusting the blades, you must support the blade to prevent bending - no pressure should be applied to the blades. If you experience any flaws in the operation of your fan, please check the following points.

TROUBLESHOOTING

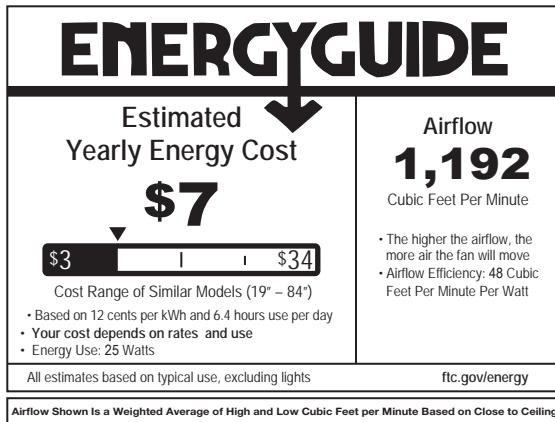
CAUTION:

Switch off power supply before carrying out any of these checks.

PROBLEM	SOLUTION
FAN WILL NOT START	<ol style="list-style-type: none">1. Check main and branch circuit breakers and/or fuses.2. Check line wire connections to fan housing wiring. Make sure forward/reverse switch is set to one or the other position, not stuck in between.
FAN SOUNDS NOISY	<ol style="list-style-type: none">1. Check and make sure that all screws in motor housing are snug (but not over tight).2. Check that wire connectors in canopy are not rattling against each other3. Check that all bulb(s) are well held in the sockets.4. Check that the canopy is firmly attached to hanging bracket and not vibrating against ceiling.5. Check to assure set screws on both ends of downrod are tight (motor couple and hanger ball)

ENERGY GUIDE

AVERAGE PERFORMANCE AND ENERGY INFORMATION



SPECIFICATIONS

PERFORMANCE SPECIFICATIONS	STANDARD	
	HIGH SPEED	LOW SPEED
Airflow (CFM)	1458	890
Energy Use (Watts)	33.1	14.5
Airflow Efficiency (CFM/W)	44	61
Energy Costs (Yearly)	9	4
Amps	0.28	0.20
RPMs	1262	716

DOWNLOADING THE HINKLEY APP (REQUIRES ACCESSORY CONTROL SOLD SEPARATELY)

HINKLEY SMART FAN OPTIONS:

In addition to the included wall control, you can control your Hinkley fan through the Hinkley app.

- To use the Hinkley app, download it for free from the App Store or Google Play.
- Open the Hinkley app where you will be prompted to create an account.
- Enter all necessary information to create an account.
- After account is created you will receive a verification code email to finish setting up the Hinkley app (Check spam folder if email is not received).
- Confirm Bluetooth is enabled to allow the fan and Hinkley app to connect to each other.
- Click add a device on the home screen and select desired fan.
- The Hinkley app will then have you enter in WiFi name and password.
- Click done on the Hinkley app to complete connecting the fan.
- The Hinkley app will have options on the main screen for fan speeds, dimming and setting timers.
- Scan the QR code below for more information on the Hinkley app operation.



SCAN FOR ADDITIONAL DETAILS

THANK YOU

FOR PURCHASING YOUR NEW HINKLEY FAN

WE STAND BY EVERY FIXTURE WE MAKE. THIS FAN SHOULD PROVIDE YOU WITH MANY YEARS OF ENJOYMENT. IN THE UNLIKELY EVENT YOU HAVE AN ISSUE, WE ARE HERE TO HELP RESOLVE.

PLEASE CALL 1(800)446-5539, VISIT [HINKLEY.COM/FAN](https://www.hinkley.com/fan) OR EMAIL [CUSTOMERCARE@HINKLEY.COM](mailto:customercare@hinkley.com) BEFORE RETURNING TO RETAILER.



**SCAN QR CODE FOR
ADDITIONAL SUPPORT AND
DETAILED SETUP GUIDES**

HINKLEY

HINKLEY IS PROUD TO PROVIDE YOU WITH CEILING FAN PRODUCTS THAT ENHANCE YOUR SPACE WITH COMFORT, PURPOSE AND STYLE. AS A FAMILY COMPANY, WE ARE COMMITTED TO DESIGN, PERFORMANCE AND QUALITY, AND WHAT'S IMPORTANT TO YOU IS PARAMOUNT TO US.

FOR A COMPLETE ASSORTMENT OF OUR PRODUCTS AND SOURCE BOOKS, VISIT [HINKLEY.COM](https://www.hinkley.com).

HINKLEY

GLOBAL HEADQUARTERS

33000 Pin Oak Parkway | Avon Lake, Ohio 44012

T (440) 653 5500 | F (440) 653 5555 | hinkley.com

HINKLEY

30" FINNIGAN

VENTILADOR LED INTERIOR



LED



MANUAL DE INSTRUCCIONES
PARA VENTILADORES DE TECHO

**READY
TO USE.
CONTROL
PRE-PAIRED.**

QUEREMOS QUE AMES A TU NUEVO VENTILADOR

ASÍ QUE ESTAMOS AQUÍ SI TIENE UNA PREGUNTA,
NECESITA AYUDA O QUIERE HABLAR SOBRE NUESTROS
PRODUCTOS. ENVÍE SUGERENCIAS NUESTRO CAMINO
TAMBIÉN: SIEMPRE ESTAMOS BUSCANDO HACER QUE
SU EXPERIENCIA CON HINKLEY SEA POSITIVA.

> **SERVICE@HINKLEY.COM**

> **800.HINKLEY**

> **VAMOS A ESE ESTILO**

HINKLEY@HINKLEY #HINKLEYSTYLE

Este manual contiene instrucciones completas para la
instalación y operación de este ventilador. Ha sido
diseñado para hacer que el proceso de instalación sea
lo más fácil posible. Si no está familiarizado o no se
siente cómodo con el cableado, comuníquese con un
electricista calificado. Si necesita asistencia adicional o
tiene alguna pregunta, comuníquese con nosotros.

Para obtener información sobre la garantía, visite hinkley.com.

TABLA DE CONTENIDO

02	INSTRUCCIONES GENERALES DE INSTALACIÓN Y FUNCIONAMIENTO	10	INSTALACIÓN DEL CONTROL DE PARED
03	PRECAUCIONES IMPORTANTES DE SEGURIDAD	12	OPERANDO
03	HERRAMIENTAS Y MATERIALES REQUERIDOS	14	CUIDADO Y LIMPIEZA
04	DESEMBALAJE SU VENTILADOR	14	SOLUCIÓN DE PROBLEMAS
05	PREPARACIÓN	15	GUIA DE ENERGIA
05	INSTALACIÓN DEL SOPORTE COLGANTE	15	ESPECIFICACIONES
06	COLGAR EL VENTILADOR	16	INTELIGENTE POR BOND
08	CONEXIONES ELÉCTRICAS		
09	INSTALACIÓN DE LAS CUCHILLAS		

ADVERTENCIA:

Lea y siga estas instrucciones detenidamente y tenga en cuenta todas las advertencias que se muestran a lo largo.

INSTRUCCIONES GENERALES DE INSTALACIÓN Y OPERACIÓN

- 1 Para asegurar el éxito de la instalación, asegúrese de leer las instrucciones y revisar los diagramas detenidamente antes de comenzar.
- 2 Para evitar una posible descarga eléctrica, asegúrese de que la electricidad esté apagada en la caja de energía principal antes de realizar el cableado. Todas las conexiones eléctricas deben realizarse de acuerdo con los códigos, ordenanzas locales y / o el Código Eléctrico Nacional. Si no está familiarizado con los métodos de instalación de cableado y productos eléctricos, contrate los servicios de un electricista calificado y con licencia, así como de alguien que pueda verificar la resistencia de los miembros del techo de apoyo y realizar las instalaciones y conexiones adecuadas.
- 3 **ADVERTENCIA:** Para reducir el riesgo de incendio, descarga eléctrica u otras lesiones personales, monte el ventilador solo en una caja de salida o sistema de soporte marcado como aceptable para soporte de ventilador de 35 libras (15,9 kg) o menos y use los tornillos de montaje que se proporcionan con la caja de salida. . La mayoría de las cajas de distribución que se utilizan comúnmente para el soporte de los artefactos de iluminación no son aceptables para el soporte del ventilador y es posible que deban reemplazarse. Consulte a un electricista calificado en caso de duda.
- 4 Asegúrese de que el lugar de instalación no permita que las aspas giratorias del ventilador entren en contacto con ningún objeto. Las cuchillas deben estar al menos a 7 pies del piso.
- 5 Las cuchillas deben colocarse después de colgar y colocar la carcasa del motor. La carcasa del motor del ventilador debe mantenerse en la caja hasta que esté lista para ser instalada para proteger su acabado. Si va a instalar más de un ventilador de techo, asegúrese de no mezclar conjuntos de aspas de ventilador, ya que cada aspa es
- 6 Después de realizar las conexiones eléctricas, los conductores empalmados deben girarse hacia arriba y empujarse con cuidado hacia la caja de distribución. Los cables deben separarse con el conductor común y el conductor de conexión a tierra en un lado de la caja de salida, y el
Cables "HOT" en el otro lado.
- 7 Los diagramas eléctricos son solo para referencia.
- 8 Una vez que el ventilador esté completamente instalado, verifique que todas las conexiones estén seguras para evitar que el ventilador se caiga y / o cause daños o lesiones.
- 9 Se puede hacer que el ventilador funcione inmediatamente después de la instalación; los cojinetes están adecuadamente cargados con grasa, de modo que, en condiciones normales, no debería ser necesaria una lubricación adicional durante la vida útil del ventilador.
- 10 No opere el interruptor de marcha atrás mientras las aspas del ventilador estén en movimiento. El ventilador debe estar apagado y las aspas detenidas antes de invertir la dirección de las aspas.

PRECAUCIONES IMPORTANTES DE SEGURIDAD

ADVERTENCIAS:

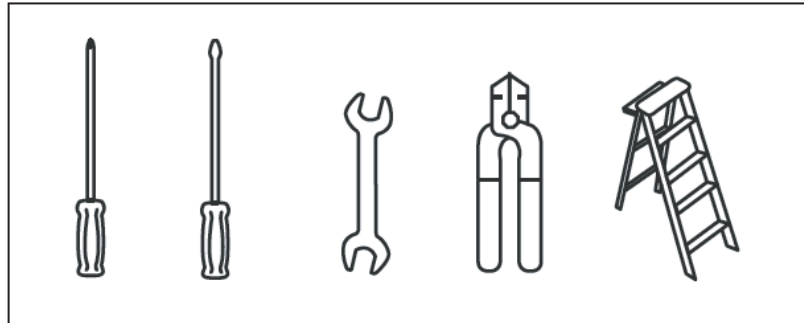
- Desconecte la energía quitando el fusible o apagando el interruptor de circuito antes de instalar el ventilador y / o la iluminación opcional.
- Apoyo directo desde la estructura del edificio.
- Para reducir el riesgo de incendio, descarga eléctrica o lesiones personales, monte en la caja de salida marcada como "aceptable para soporte del ventilador" y use los tornillos de montaje provistos con la caja de salida. La mayoría de las cajas de salida comúnmente utilizadas para el soporte de accesorios de iluminación no son aceptables para el soporte del ventilador y pueden necesitar ser reemplazadas. Consulte a un electricista calificado si tiene dudas.
- No utilice este ventilador con ningún dispositivo de control de velocidad del ventilador de tipo transformador. To reduce the risk of personal injury, do not bend the blade arms when installing them, balancing the blades or cleaning the fan.
- No inserte ningún objeto (s) entre las aspas giratorias del ventilador.

NOTA:

Las precauciones, salvaguardas e instrucciones importantes que aparecen en este manual no están destinadas a cubrir todas las condiciones y situaciones posibles que puedan ocurrir. Debe entenderse que el sentido común, la precaución y el cuidado son factores que no se pueden incorporar a este producto. Estos factores deben ser proporcionados por la (s) persona (s) que instalan, cuidan y operan la unidad.

HERRAMIENTAS Y MATERIALES REQUERIDOS

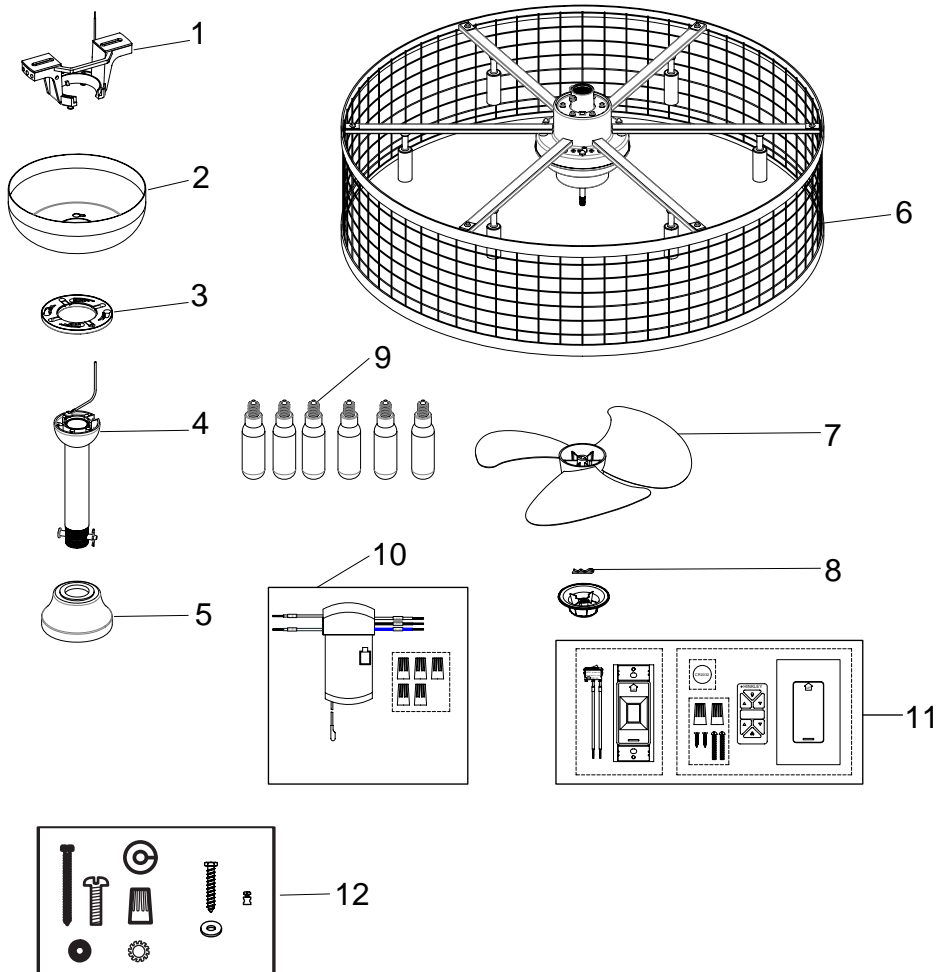
- DESTORNILLADOR PHILLIPS
- DESTORNILLADOR PLANO
- LLAVE O ALICATES
- CORTADOR DE CABLES
- ESCALERA DE TIJERA
- SUMINISTROS DE CABLEADO SEGÚN REQUERIDO POR CÓDIGO ELÉCTRICO



DESEMBALAJE TU VENTILADOR

DESEMBALA TU VENTILADOR Y COMPRUEBA EL CONTENIDO

- No deseche la caja de cartón. Si alguna vez es necesario reemplazar o reparar la garantía, el ventilador debe devolverse en su embalaje original. Retire todas las piezas y hardware. No coloque la carcasa del motor sobre un costado, o la carcasa decorativa puede moverse, doblarse o dañarse.
- Examinar todas las partes. Debe tener lo siguiente:



CONTENIDO DEL PAQUETE		
1	Soporte para colgar	
2	Marquesina de techo	CA900752Fxx
3	Anillo de ajuste	
4	Asm de varilla.	DR94016Fxx
5	Cubierta del yugo	YC902352Fxx
6	Carcasa del ventilador con motor	x
7	Aspa del ventilador (14 ")	BL904730Fxx
8	Tapa de la tuerca del ventilador con clip	
9	(6) Bombillas LED (T8, E12, 4.5W)	EST8-4.5W-27
10	Receptor incl. 5 Tuercas para cables MR196W (5 + 9µF)	CN904730
11	HIRO Control de pared con batería 2032, base A, placa de pared, placa frontal, control remoto, 2 tornillos roscadores de cabeza avellanada 2 tornillos mecánicos y 2 tuercas para cables Base B Placa de pared, interruptor (solo para uso en paredes planas)	980014FWH/ CN904730
12	Bolsa de hardware Hardware del cable de seguridad (tornillo para madera, arandela plana, abrazadera de cable)	MH904730FMB

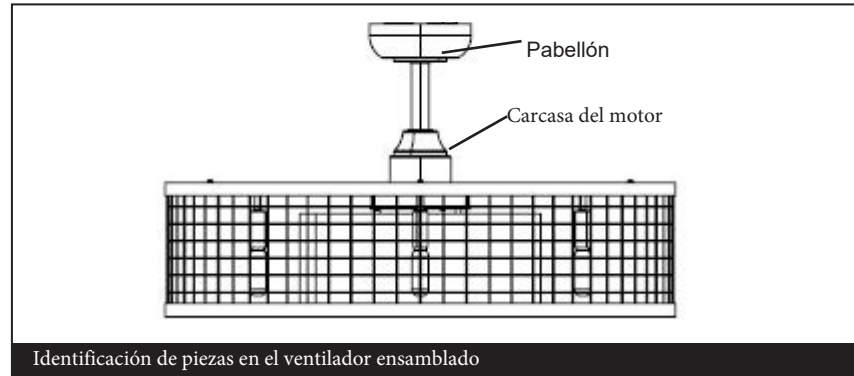
XX=ACABADO VENTILADOR

PREPARACIÓN

PREPARACIÓN:

Verifique que tenga todas las piezas antes de comenzar la instalación. Verifique de cerca el inserto de espuma para detectar piezas faltantes. Retire el motor de la empaquetadura. Para evitar daños en el acabado, ensamble el motor sobre una superficie acolchada suave o use el inserto de espuma original en la caja del motor.

NO COLOQUE LA VIVIENDA DEL MOTOR EN SU LADO ya QUE ESTO PODRÍA RESULTAR EN EL CAMBIO DEL MOTOR EN UNA CUBIERTA DECORATIVA

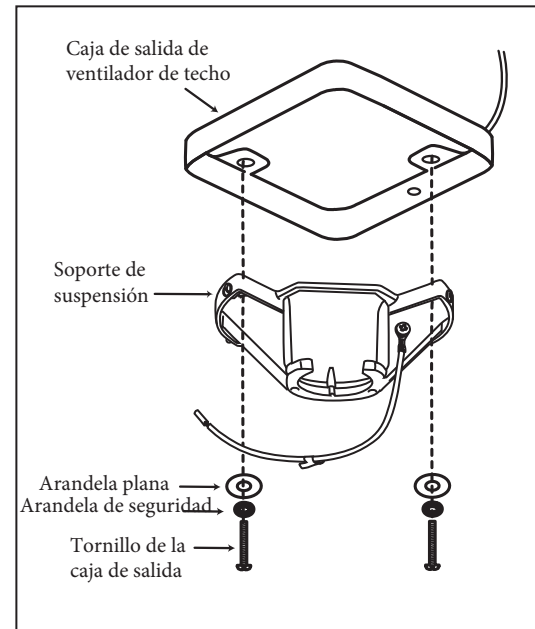


Identificación de piezas en el ventilador ensamblado

INSTALACIÓN DEL SOPORTE COLGANTE

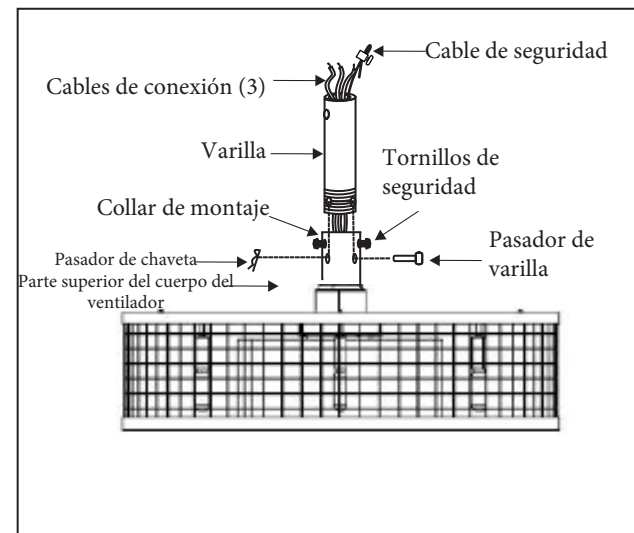
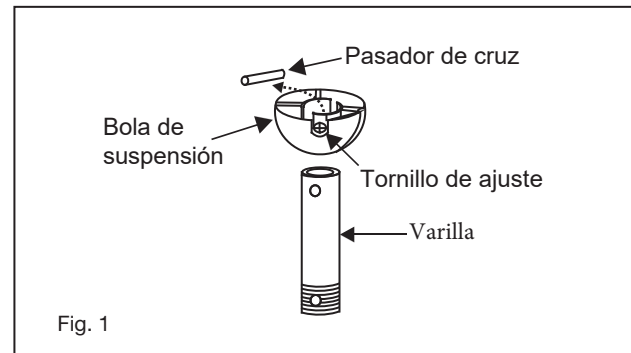
PRECAUCIÓN: Para evitar posibles descargas eléctricas, asegúrese de que la electricidad esté apagada en la caja de energía principal antes de realizar el cableado. Todo el cableado debe estar de acuerdo con los códigos eléctricos nacionales y locales y el ventilador de techo debe estar conectado a tierra como precaución contra posibles descargas eléctricas.

- 1 Ubique la viga del techo donde se instalará el ventilador, asegurándose de que la ubicación coincida con los requisitos de la sección de espacio libre mínimo de esta guía. Las vigas de madera deben ser sólidas y de tamaño adecuado para soportar 35 libras (consulte la página 2, elementos 3 y 4).
- 2 Si aún no está presente, monte una caja de salida listada por UL marcada como "adecuada para soporte de ventilador" siguiendo las instrucciones proporcionadas con la caja de salida. La caja de distribución debe poder soportar un mínimo de 35 libras.
- 3 Retire la capota del soporte de suspensión. Retire el anillo de ajuste de bloqueo por torsión girándolo en sentido antihorario. Quite el tornillo del dosel que no tiene una ranura para llave en el dosel. Afloje el tornillo con la ranura de la llave y retire la capota.
- 4 Fije el soporte para colgar a la caja de salida con los tornillos que se proporcionan con la caja de salida.



COLGANDO EL VENTILADOR

- 1 Retire la bola de la varilla aflojando el tornillo de fijación en el costado de la bola. Deslice la bola hacia abajo y retire el pasador; quitar la pelota (Figura 1)
- 2 Sostenga con cuidado el cuerpo del ventilador (motor) en su empaque de espuma de poliestireno con el collar de montaje (de donde salen los cables) hacia arriba.
- 3 Afloje los dos tornillos de seguridad y retire el pasador de la varilla y el clip de retención del acoplamiento en la parte superior del conjunto del motor. (Figura 2)
- 4 Alimente con cuidado los cables conductores eléctricos desde el ventilador a través de la varilla. Enrosque la varilla en el acoplador hasta que se alineen los agujeros. Inserte el pasador de la varilla hacia abajo a través de los agujeros en el collar de montaje y la varilla; enganche el pasador de chaveta a través del pequeño orificio en el extremo del pasador de la varilla para sostener la varilla en su lugar.
- 5 Apriete los tornillos de seguridad contra la varilla con un destornillador de punta plana grande para asegurar un ajuste perfecto contra la varilla. Apriete las tuercas contra el collar de montaje.



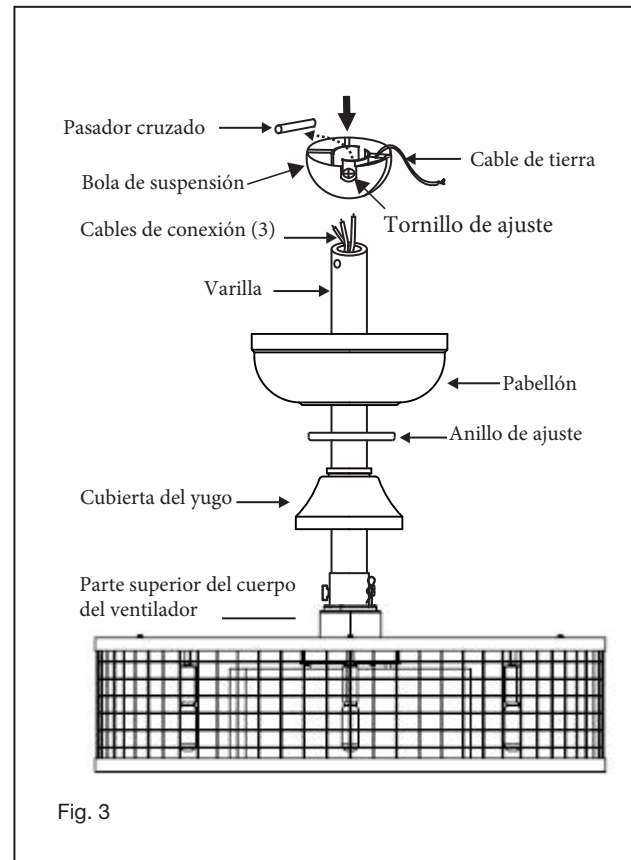
COLGAR EL VENTILADOR

RECUERDE apagar la energía antes de comenzar.

Para instalar correctamente su ventilador de techo, siga los pasos a continuación.

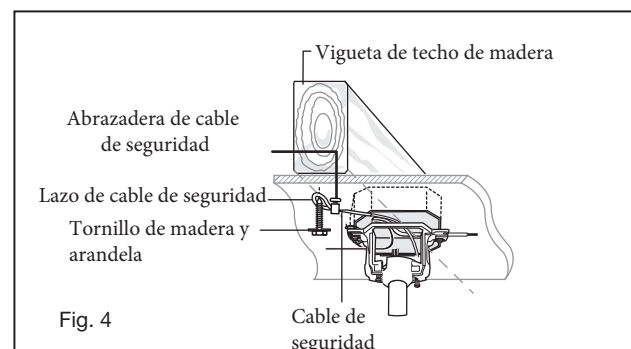
- 6 Deslice la cubierta del yugo, el anillo de ajuste y la capota sobre la varilla. (Fig. 3)
- 7 Deslice la bola de suspensión en la varilla, inserte el pasador transversal a través de la varilla y apriete. Apriete el tornillo de fijación.
- 8 Levante la bola / varilla / ventilador en la abertura del soporte de suspensión. **NOTA:** La pestaña opuesta a la abertura del soporte de suspensión debe encajar en la ranura de la bola. (Figura 4)

NOTA:
Se suministran 6 pies de cable conductor en el ventilador para usar con varillas más largas.



INSTALACIÓN DE SOPORTE DE CABLE DE SEGURIDAD

Fije el tornillo para madera y la arandela plana a la viga del techo como se muestra (no apriete completamente). Deslice la abrazadera del cable sobre el cable de seguridad desde el ventilador. Pase el cable de seguridad alrededor del tornillo de madera que se acaba de conectar a la viga del techo. Introduzca el extremo del cable en la abrazadera y pase la mayor cantidad de cable posible. Apriete firmemente el tornillo en la abrazadera. Corte el cable sobrante.



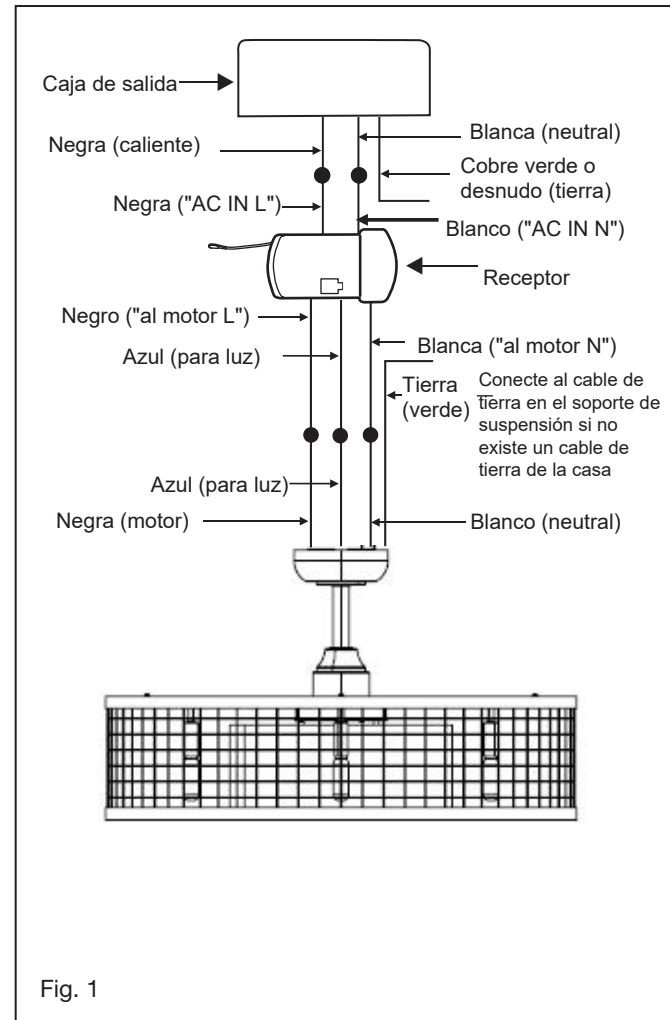
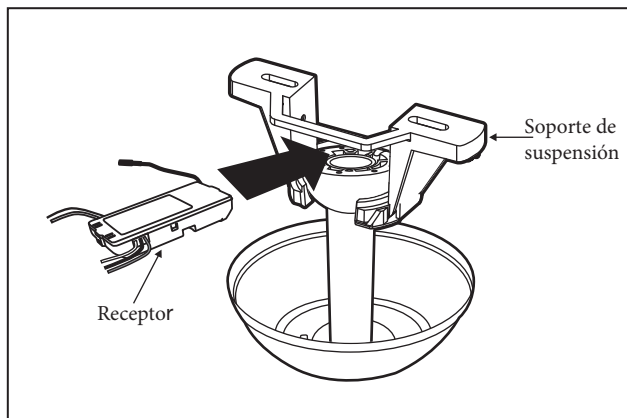
CONEXIONES ELÉCTRICAS

RECUERDA -¡Apaga la corriente! NOTA: el control debe instalarse a menos de 30 pies del ventilador.

PRECAUCIÓN: Para reducir el riesgo de descarga eléctrica, este ventilador debe instalarse con un control / interruptor de pared aislante.

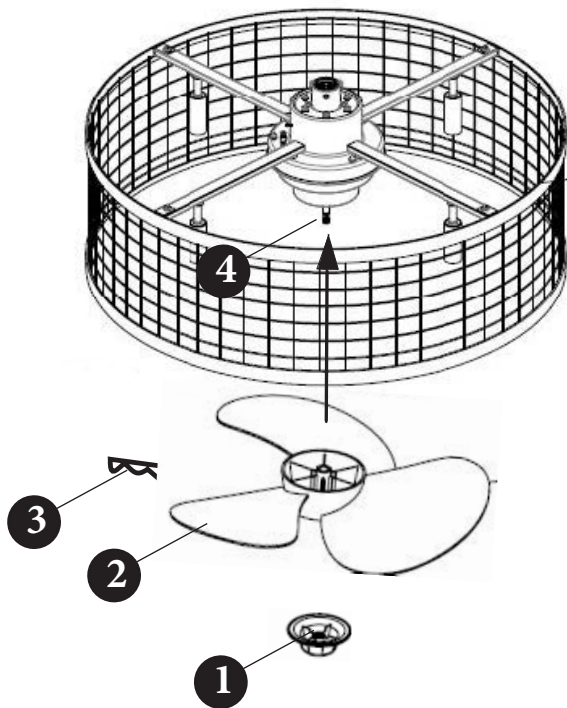
- 1 Conexiones eléctricas del motor al receptor:
Conecte el cable negro del ventilador al cable negro marcado "TO MOTOR L" en el receptor. Conecte el cable blanco del ventilador al cable blanco marcado "TO MOTOR N" en el receptor. Conecte el cable azul del ventilador al cable azul marcado "PARA LUZ" en el receptor. Asegure todas las conexiones de cables con las tuercas de plástico provistas.
- 2 Cables de suministro del receptor a la casa Conexiones eléctricas:
Conecte el cable negro (vivo) del techo al cable negro marcado "AC in L" del receptor. Conecte el cable blanco (neutro) del techo al cable blanco marcado "AC in N" del receptor. Asegure las conexiones de cables con las tuercas de plástico provistas.

ADVERTENCIAS: Verifique que todas las conexiones estén apretadas, incluida la tierra, y que no se vea ningún cable desnudo en las tuercas para cables, excepto el cable de tierra.



INSTALACIÓN DE LAS CUCHILLAS

- 1 Presione la hoja (2) sobre el eje del motor asegurándose de que el pasador del eje se asiente en la ranura de la parte superior de la hoja.
- 2 Coloque el clip (3) a través del orificio en el eje del motor (4)
- 3 Enrosque la tapa decorativa (1) en el extremo del eje del motor (rosca a la izquierda)



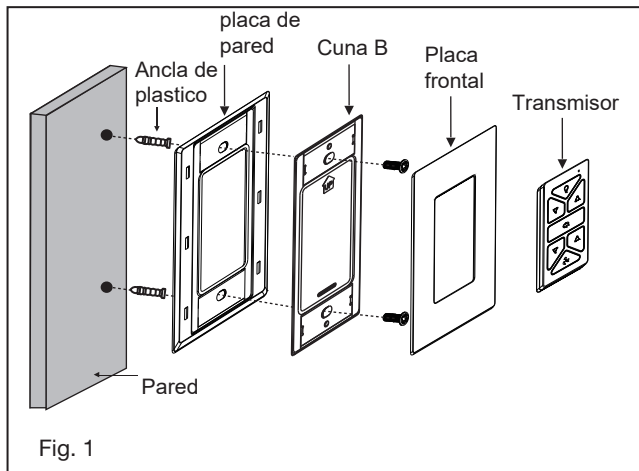
INSTALACIÓN DEL CONTROL DE PARED

RECUERDE apagar la energía antes de comenzar.

NOTA - Se fija a cualquier superficie o aplicación: pared plana, caja de salida simple, caja de entrada múltiple.

Opción 1. Instalación en superficie plana

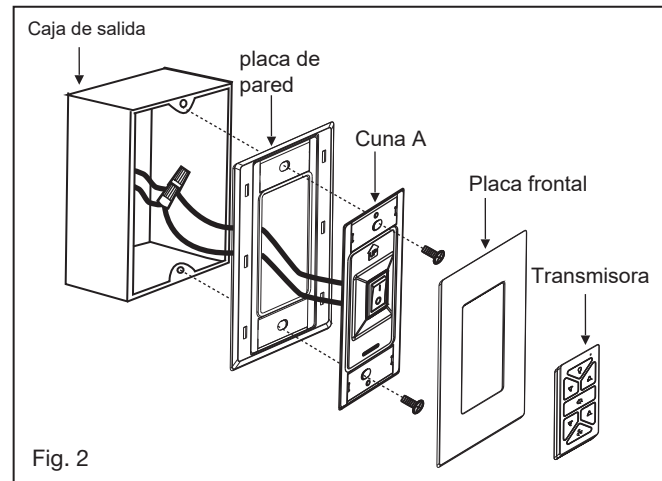
- 1 Seleccione una ubicación deseada. Utilice la placa de pared para marcar la ubicación de los orificios de montaje. Para esta aplicación se necesitan anclajes de pared de plástico o tornillos de montaje. (Figura 1)
- 2 Asiente la base B en la placa de pared. Asegure la placa de pared a la pared con los accesorios provistos
- 3 Encaje la cubierta de la placa frontal en el soporte de pared.
- 4 El transmisor remoto se mantendrá en su lugar con m incorporado



HIRO Sistema de control HIRO

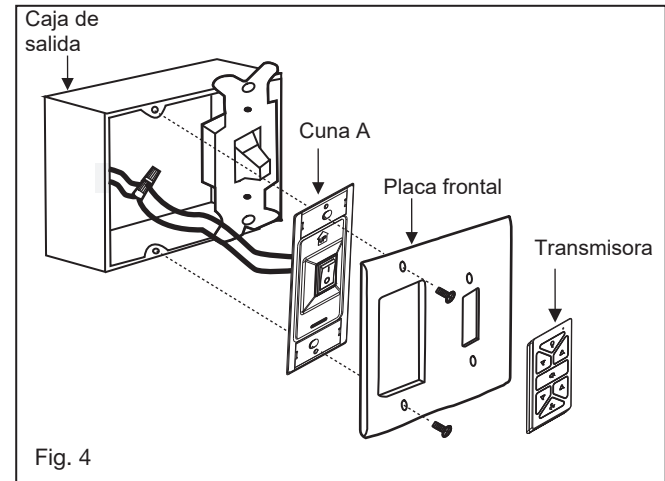
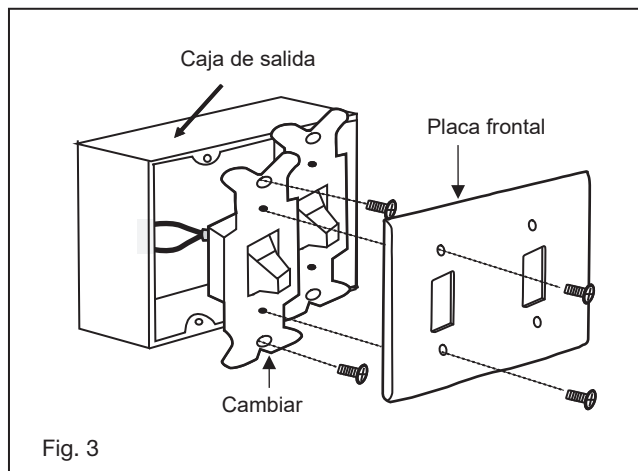
Opción 2. Para caja de salida única

- 1 Retire la placa de pared existente y el interruptor antiguo de la caja de salida de la pared.
- 2 Asiente la base A en la placa de pared. (Figura 2)
- 3 Conecte los cables conductores negros del interruptor en la base A a los cables negros en la caja del interruptor. Cable de entrada caliente a uno de los cables del interruptor de la base A. El cable de alimentación del ventilador está conectado al cable del interruptor restante.
- 4 Conecte el ensamblaje de la placa de pared / base A a la caja de salida de pared utilizando los accesorios suministrados.
- 5 Encaje la cubierta de la placa frontal en el soporte de pared.
- 6 El transmisor remoto se mantendrá en su lugar con imanes incorporados.



Opción 3. Instalación de la caja de interruptores de pared de múltiples unidades

- 1 Retire la placa de pared existente y el interruptor antiguo de la caja de salida de pared. (Fig. 3)
- 2 Conecte los cables conductores negros del interruptor en la base A a los cables negros en la caja del interruptor. Cable de entrada caliente a uno de los cables del interruptor de la base. El cable de alimentación del ventilador está conectado al cable del interruptor restante. (Figura 4)
- 3 Fije la base A a la caja de interruptores de pared utilizando los accesorios suministrados.
- 4 Conecte la placa frontal de varios grupos al interruptor en la caja de salida de la pared. La base A del interruptor Hinkley encajará en cualquier placa frontal decorativa estándar.
- 5 El transmisor remoto se mantendrá en su lugar con imanes incorporados.



 **HIRO** Sistema de control HIRO

OPERACIÓN

Nuestro ventilador está equipado con un control remoto de aprendizaje automático. No hay interruptores de frecuencia en el receptor o transmisor. El ventilador puede comenzar a usarse una vez finalizado el proceso de emparejamiento.

Retire el panel del transmisor y luego instale una batería 2032 (incluida). Necesita utilizar un destornillador para abrir o cerrar la tapa de la batería. Para evitar daños al transmisor, retire la batería si no la usa durante períodos prolongados (Fig. 1)



ADVERTENCIA: Peligro de quemaduras químicas. Mantenga las baterías fuera del alcance de los niños.

Este producto contiene una batería de botón/pila de botón de litio. Si una batería de litio de botón/pila de botón nueva o usada se ingiere o ingresa al cuerpo, puede causar quemaduras internas graves y provocar la muerte en tan solo 2 horas. Asegure siempre completamente el compartimiento de la batería. Si el compartimiento de las baterías no cierra de forma segura, deje de usar el producto, retire las baterías y manténgalo alejado de los niños. SI cree que las pilas pueden haber sido ingeridas o colocadas dentro de cualquier parte del cuerpo, busque atención médica inmediata.

Las baterías deberán desecharse adecuadamente, incluso manteniéndolas fuera del alcance de los niños; Incluso las células usadas pueden causar lesiones.

- 1 pero presione este botón y suéltelo instantáneamente para encender o apagar la luz.
bu
- 2 Mantenga presionado para atenuar o iluminar las luces al nivel deseado y suéltelo.
bu
- 3 Presione el botón para encender y configurar la velocidad del ventilador 1-3.
bu
- 4 Presione este botón para apagar el ventilador.
- 5 Luz de señal (Fig.2)

Proceso de emparejamiento

NOTA: Si instala/empareja más de un ventilador en un área, se debe desconectar la alimentación de todos los ventiladores excepto del que se está emparejando.

NOTA: El ventilador debe estar completamente instalado con las aspas antes de emparejar los controles.

Con el ventilador apagado, restablezca la energía al ventilador. Mantenga presionado el botón “” durante aproximadamente 5 segundos y suéltelo. Si se instala un kit de luces opcional, el kit de luces parpadeará tres veces y el motor girará durante 10 segundos a baja velocidad. El ventilador ha completado el proceso de emparejamiento con el control de pared y está listo para usar.

NOTA: Un solo ventilador se puede controlar con hasta 3 controles de pared en una habitación. Cada control deberá repetir el proceso de emparejamiento según las instrucciones anteriores y todos los controles deben estar a menos de 30 pies del ventilador.

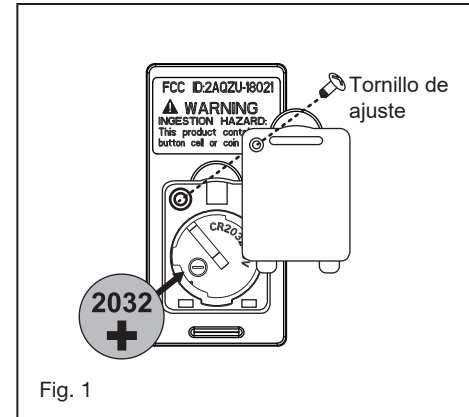


Fig. 1

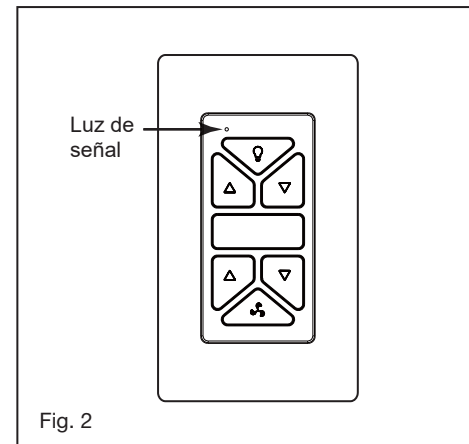
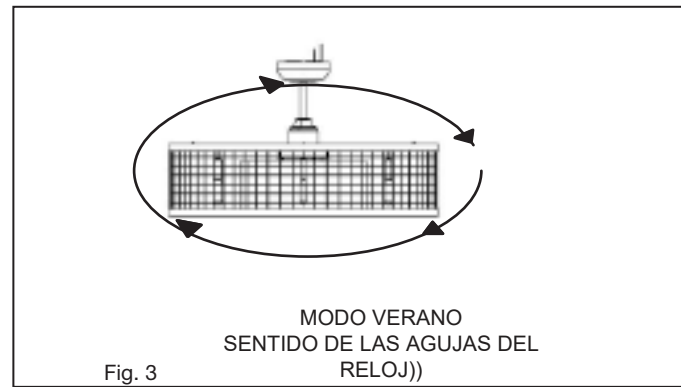
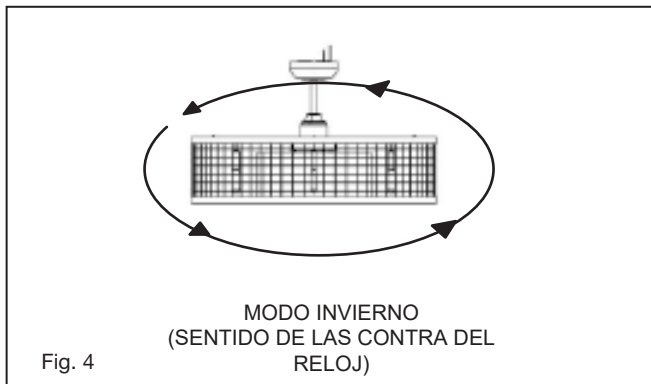


Fig. 2

HIRO Sistema de control HIRO

Modo verano y operación en modo invierno

- 7 Modo de verano (adelante):
Un flujo de aire HACIA ABAJO crea un efecto de enfriamiento como se muestra en la Figura 3. Esto le permite configurar su aire acondicionado en un ambiente más cálido sin afectar su comodidad.
- 8 Modo de invierno (reverso):
Un flujo de aire HACIA ARRIBA mueve el aire más cálido del área del techo como se muestra en la Figura 4. Esto le permite configurar su unidad de calefacción en un lugar más frío sin afectar su comodidad.



CUIDADO Y LIMPIEZA

Periódicamente puede ser necesario volver a apretar los tornillos de la cuchilla al brazo de la cuchilla o del brazo de la cuchilla a los tornillos del motor para evitar que se escuche un clic o un zumbido durante el funcionamiento. Esto es especialmente cierto en climas con amplios rangos de temperatura y humedad.

Cuando desempolva las cuchillas, debe sostener la cuchilla para evitar que se doble; no se debe aplicar presión a las cuchillas. Si experimenta algún defecto en el funcionamiento de su ventilador, verifique los siguientes puntos.

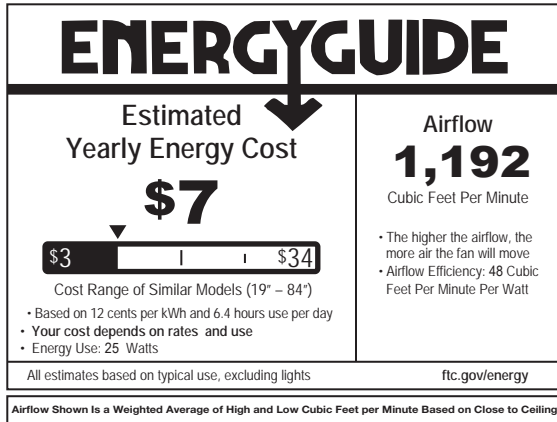
SOLUCIÓN DE PROBLEMAS

PRECAUCIÓN:
Desconecte la fuente de alimentación antes de realizar cualquiera de estas comprobaciones.

PROBLEMA	SOLUCIÓN
EL VENTILADOR NO ARRANCA	<ol style="list-style-type: none">1. Revise los disyuntores y / o fusibles principales y secundarios.2. Verifique las conexiones de los cables de línea al cableado de la carcasa del ventilador. Asegúrese de que el interruptor de avance / retroceso esté en una u otra posición, no atascado en el medio.
FAN SUENA RUIDOSO	<ol style="list-style-type: none">1. Verifique y asegúrese de que todos los tornillos en la carcasa del motor estén ajustados (pero no demasiado apretados).2. Verifique que los conectores de cables en el dosel no traqueteen entre sí.3. Compruebe que todas las bombillas estén bien sujetas en los casquillos.4. Verifique que el dosel esté firmemente sujeto al soporte para colgar y que no vibre contra el techo.

GUÍA DE ENERGÍA

INFORMACIÓN DE RENDIMIENTO PROMEDIO Y ENERGÍA



ESPECIFICACIONES

ESPECIFICACIONES DE RENDIMIENTO	ESTÁNDAR	
	ALTA VELOCIDAD	BAJA VELOCIDAD
Flujo de aire (CFM)	1458	890
Energía usada (vatios)	33.1	14.5
Eficiencia de flujo de aire (CFM/W)	44	61
Costos de energía (anual)	9	4
Amplificadores	0.28	0.20
RPMs	1262	716

DESCARGA DE LA APLICACIÓN HINKLEY

(REQUIERE CONTROL DE ACCESORIOS QUE SE VENDE POR SEPARADO)

OPCIONES DE VENTILADOR INTELIGENTE HINKLEY:

Además del control de pared incluido, puede controlar su ventilador Hinkley a través de la aplicación Hinkley.

- Para usar la aplicación Hinkley, descárguela gratis de App Store o Google Play.
- Abra la aplicación Hinkley donde se le pedirá que cree una cuenta.
- Ingrese toda la información necesaria para crear una cuenta.
- Después de crear la cuenta, recibirá un correo electrónico con el código de verificación para terminar de configurar la aplicación Hinkley (consulte la carpeta de correo no deseado si no se recibe el correo electrónico).
- Confirme que Bluetooth esté habilitado para permitir que el ventilador y la aplicación Hinkley se conecten entre sí.
- Haga clic en agregar un dispositivo en la pantalla de inicio y seleccione el ventilador deseado.
- La aplicación Hinkley le pedirá que ingrese el nombre y la contraseña de WiFi.
- Haga clic en Listo en la aplicación Hinkley para completar la conexión del ventilador.
- La aplicación Hinkley tendrá opciones en la pantalla principal para velocidades de ventilador, atenuación y configuración de temporizadores.
- Escanee el código QR a continuación para obtener más información sobre el funcionamiento de la aplicación Hinkley.

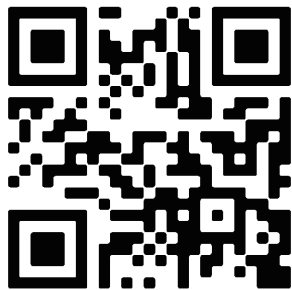


ESCANEAR PARA DETALLES ADICIONALES

GRACIAS

PARA COMPRAR SU NUEVO VENTILADOR HINKLEY
RESPALDAMOS CADA ACCESORIO QUE FABRICAMOS. ESTE VENTILADOR
DEBE PROPORCIONARLE MUCHOS AÑOS DE DISFRUTE. EN EL CASO
IMPROBABLE DE QUE TENGA UN PROBLEMA, ESTAMOS AQUÍ PARA
AYUDARLE A RESOLVERLO.

LLAME AL 1(800)446-5539, VISITE HINKLEY.COM/FAN O ENVÍE UN CORREO
ELECTRÓNICO A CUSTOMERCARE@HINKLEY.COM ANTES DE DEVOLVER
AL MINORISTA



ESCANEE EL CÓDIGO QR PARA
OBTENER SOPORTE ADICIONAL Y
GUÍAS DE CONFIGURACIÓN
DETALLADAS

HINKLEY

HINKLEY ESTÁ ORGULLOSO DE OFRECERLE PRODUCTOS DE VENTILADORES DE TECHO QUE
MEJORAN SU ESPACIO CON COMODIDAD, PROPÓSITO Y ESTILO. COMO EMPRESA FAMILIAR,
ESTAMOS COMPROMETIDOS CON EL DISEÑO, LAS PRESTACIONES Y LA CALIDAD,
Y LO QUE ES IMPORTANTE PARA USTED ES PRINCIPAL PARA NOSOTROS.
PARA OBTENER UNA VARIEDAD COMPLETA DE NUESTROS PRODUCTOS Y LIBROS DE FUENTE,
VISITE HINKLEY.COM

HINKLEY

GLOBAL HEADQUARTERS

33000 Pin Oak Parkway | Avon Lake, Ohio 44012

T (440) 653 5500 | F (440) 653 5555 | hinkley.com

HINKLEY

30" FINNIGAN

VENTILATEUR INTÉRIEUR À DEL



LED

HIRO



MANUEL D'INSTRUCTIONS DU
VENTILATEUR DE PLAFOND

**READY
TO USE.
CONTROL
PRE-PAIRED.**

NOUS VOULONS VOUS AIMER VOTRE NOUVEAU FAN

NOUS SOMMES ICI SI VOUS AVEZ UNE QUESTION, BESOIN D'UNE AIDE OU VOULEZ CHAT SUR NOS PRODUITS. ENVOYER DES SUGGESTIONS NOTRE FAÇON AUSSI - NOUS CHERCHONS TOUJOURS À FAIRE DE VOTRE EXPÉRIENCE AVEC HINKLEY UNE POSITIVE.

> SERVICE@HINKLEY.COM

> [800.HINKLEY](tel:800.HINKLEY)

> [LET'S SEE THAT HINKLEY STYLE @HINKLEY](#)
[#HINKLEYSSTYLE](#)

Ce manuel contient des instructions complètes pour l'installation et le fonctionnement de ce ventilateur. Il a été conçu pour rendre le processus d'installation aussi simple que possible. Si vous n'êtes pas familier ou mal à l'aise avec le câblage, veuillez contacter un électricien qualifié. Si vous avez besoin d'aide supplémentaire ou avez des questions, n'hésitez pas à nous contacter.

Pour des informations sur la garantie, visitez hinkley.com.

TABLE DES MATIÈRES

02	INSTRUCTIONS GÉNÉRALES D'INSTALLATION ET D'UTILISATION	10	INSTALLATION DE LA COMMANDE MURALE
03	PRÉCAUTIONS DE SÉCURITÉ IMPORTANTES	12	EN FONCTIONNEMENT
03	OUTILS ET MATÉRIAUX NÉCESSAIRES	14	ENTRETIEN ET NETTOYAGE
04	DÉBALLAGE DE VOTRE VENTILATEUR	14	DÉPANNAGE
05	PRÉPARATION	15	GUIDE ÉNERGIE
05	INSTALLATION DU SUPPORT DE SUSPENSION	15	CARACTÉRISTIQUES
06	SUSPENSION DU VENTILATEUR	16	INTELLIGENT PAR LIEN
08	CONNECTIONS ÉLECTRIQUES		
09	INSTALLATION DES LAMES		

AVERTISSEMENT:

Lisez et suivez attentivement ces instructions et tenez compte de tous les avertissements affichés tout au long.

INSTRUCTIONS GÉNÉRALES D'INSTALLATION ET D'UTILISATION

- 1 Pour assurer le succès de l'installation, assurez-vous de lire les instructions et de revoir attentivement les schémas avant de commencer.
- 2 Pour éviter tout risque de choc électrique, assurez-vous que l'électricité est coupée au niveau du boîtier d'alimentation principal avant de procéder au câblage. Toutes les connexions électriques doivent être effectuées conformément aux codes locaux, aux ordonnances et/ou au Code national de l'électricité. Si vous n'êtes pas familiarisé avec les méthodes d'installation du câblage et des produits électriques, faites appel aux services d'un électricien qualifié et agréé ainsi que de quelqu'un qui peut vérifier la résistance des éléments de support du plafond et effectuer les installations et les connexions appropriées.
- 3 **AVERTISSEMENT :** Pour réduire le risque d'incendie, de choc électrique ou d'autres blessures corporelles, montez le ventilateur uniquement sur une boîte de sortie ou un système de support marqué acceptable pour un support de ventilateur de 35 lb (15,9 kg) ou moins et utilisez les vis de montage fournies avec la boîte de sortie. La plupart des boîtiers de sortie couramment utilisés pour le support des appareils d'éclairage ne sont pas acceptables pour le support des ventilateurs et peuvent devoir être remplacés. Consultez un électricien qualifié en cas de doute.
- 4 Assurez-vous que votre site d'installation ne permettra pas aux pales de ventilateur en rotation d'entrer en contact avec un objet. Les lames doivent être à au moins 7 pieds du sol.
- 5 Les lames doivent être fixées une fois le boîtier du moteur suspendu et en place. Le boîtier du moteur du ventilateur doit être conservé dans le carton jusqu'à ce qu'il soit prêt à être installé pour protéger sa finition. Si vous installez plus d'un ventilateur de plafond, assurez-vous de ne pas mélanger les ensembles de pales de ventilateur, car chaque pale fait partie d'un ensemble lesté.
- 6 Après avoir effectué les connexions électriques, les conducteurs épissés doivent être tournés vers le haut et poussés avec précaution dans la boîte de sortie. Les fils doivent être écartés avec le conducteur commun et le conducteur de mise à la terre sur un côté de la boîte de sortie, et le Fils "CHAUDS" de l'autre côté.
- 7 Les schémas électriques sont pour référence seulement.

Une fois le ventilateur complètement installé, vérifiez que toutes les connexions sont sécurisées pour empêcher le ventilateur de tomber et/ou de causer des dommages ou des blessures.
- 8 Le ventilateur peut être mis en marche immédiatement après l'installation - les roulements sont suffisamment chargés de graisse de sorte que, dans des conditions normales, une lubrification supplémentaire ne devrait pas être nécessaire pendant la durée de vie du ventilateur.
- 9 N'actionnez pas l'interrupteur d'inversion lorsque les pales du ventilateur sont en mouvement. Le ventilateur doit être éteint et les pales arrêtées avant d'inverser le sens des pales.
- 10

PRÉCAUTIONS DE SÉCURITÉ IMPORTANTES

AVERTISSEMENTS:

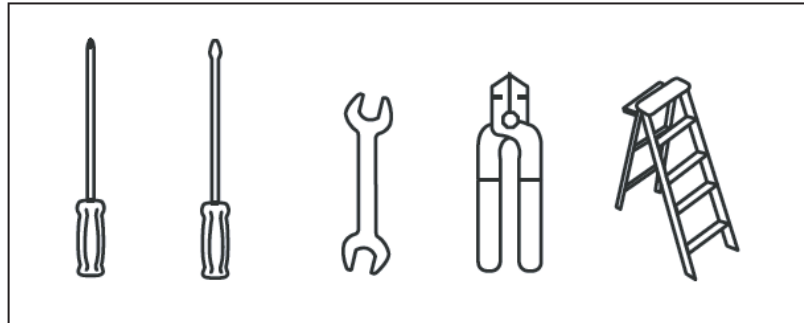
- Coupez l'alimentation en retirant le fusible ou en fermant le disjoncteur avant d'installer le ventilateur et / ou l'éclairage en option.
- Support directement à partir de la structure du bâtiment.
- Pour réduire le risque d'incendie, d'électrocution ou de blessure, montez sur la boîte de sortie marquée "acceptable pour le support du ventilateur" et utilisez les vis de montage fournies avec la boîte de sortie. La plupart des boîtiers de sortie couramment utilisés pour le support des appareils d'éclairage ne sont pas acceptables pour le support du ventilateur et peuvent devoir être remplacés. Consulter un électricien qualifié en cas de doute.
- N'utilisez pas de gradateur de lumière incandescente. N'utilisez pas ce ventilateur avec un dispositif de contrôle de vitesse de ventilateur de type transformateur.
- Pour réduire le risque de blessures corporelles, ne pliez pas les bras des pales lors de leur installation, de l'équilibrage des pales ou du nettoyage du ventilateur.
- N'insérez aucun objet entre les pales du ventilateur en rotation.

REMARQUE:

Les précautions, garanties et instructions importantes figurant dans ce manuel ne sont pas destinées à couvrir toutes les conditions et situations possibles qui peuvent survenir. Il faut comprendre que le bon sens, la prudence et la prudence sont des facteurs qui ne peuvent être intégrés à ce produit. Ces facteurs doivent être fournis par la ou les personnes installant, prenant soin et utilisant l'appareil.

OUTILS ET MATÉRIAUX REQUIS

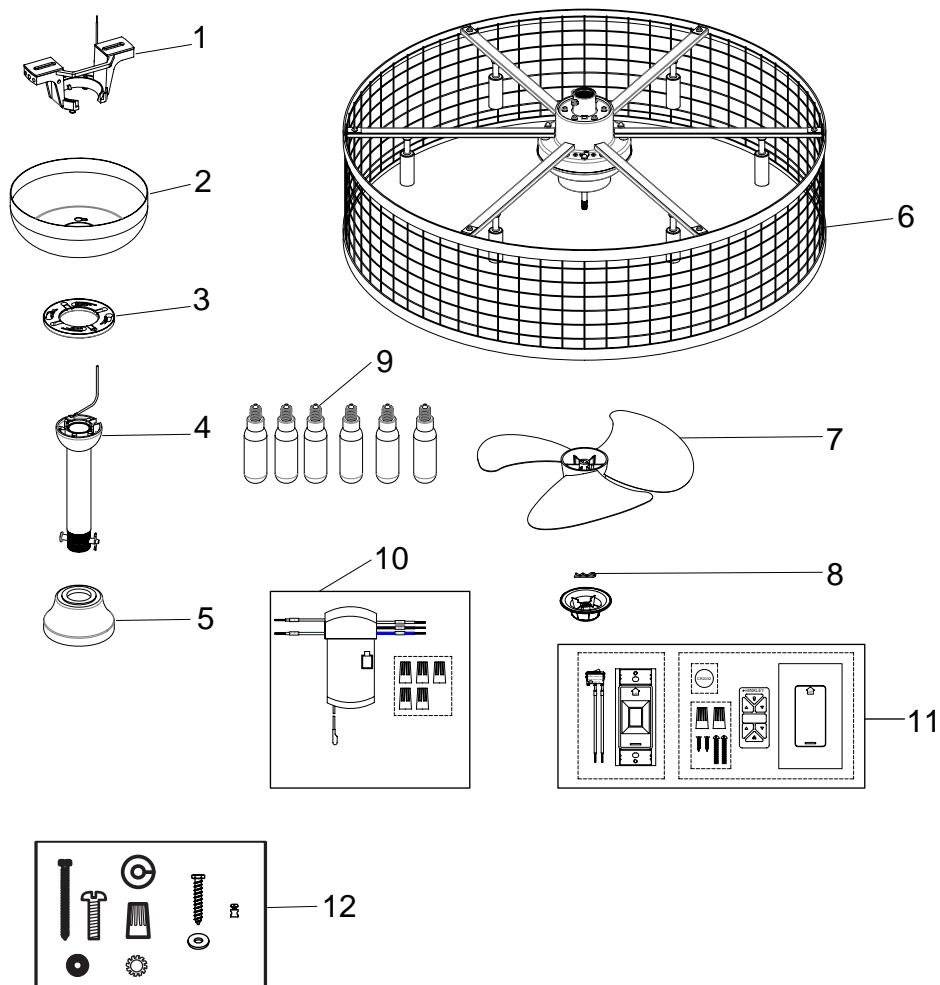
- TOURNEVIS CRUCIFORME
- TOURNEVIS PLAT
- CLÉ OU PINCE
- COUPE-FIL
- ESCABEAU
- FOURNITURES DE CÂBLAGE
COMME REQUIS PAR LE CODE
ÉLECTRIQUE



DÉBALLAGE DE VOTRE VENTILATEUR

DÉBALLER VOTRE FAN ET VÉRIFIER LE CONTENU

- Ne jetez pas le carton. Si un remplacement ou une réparation sous garantie est nécessaire, le ventilateur doit être retourné dans son emballage d'origine. Retirez toutes les pièces et le matériel. Ne posez pas le boîtier du moteur sur le côté, sinon le boîtier décoratif pourrait se déplacer, être plié ou endommagé.
- Examinez toutes les pièces. Vous devriez avoir les éléments suivants:



CONTENU DU COFFRET

1	Support de suspension	
2	Auvent de plafond	CA900752Fxx
3	Garniture Anneau	
4	Tige Asm.	DR94016Fxx
5	Couverture de joug	YC902352Fxx
6	Boîtier de ventilateur avec moteur	x
7	Pale de ventilateur (14")	
8	Couvercle d'écrou de ventilateur Avec clip	BL904730Fxx
9	(6) Ampoules LED (T8, E12, 4.5W)	EST8-4.5W-27
10	Récepteur Incl. 5 écrous de fil	CN904730
11	HIRO Commande murale HIRO avec batterie/2032, socle A, plaque murale, plaque frontale, télécommande, 2 vis autotaraudeuses à tête fraisée 2 vis mécaniques et 2 écrous de fil Cradle B Plaque murale, interrupteur (pour une utilisation sur mur plat uniquement)	980014FWH/ CN904730
12	Sac de matériel Matériel de câble de sécurité (vis à bois, rondelle plate, serre-câble) Matériel de montage du support (vis à bois, vis, rondelles freins, rondelles étoiles, rondelles plates, serre-fils),	MH904730FMB

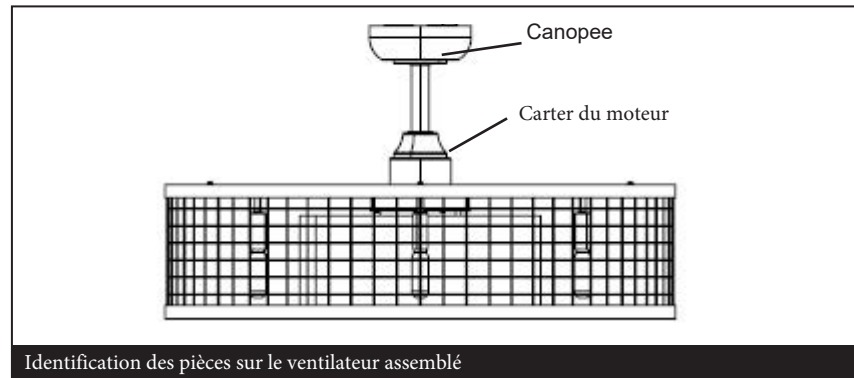
XX=
FINITION DU
VENTILATEUR

PRÉPARATION

PRÉPARATION:

Vérifiez que vous disposez de toutes les pièces avant de commencer l'installation. Vérifiez soigneusement l'insert en mousse pour les pièces manquantes. Retirez le moteur de l'emballage. Pour éviter d'endommager la finition, assemblez le moteur sur une surface rembourrée ou utilisez l'insert en mousse d'origine dans le boîtier du moteur.

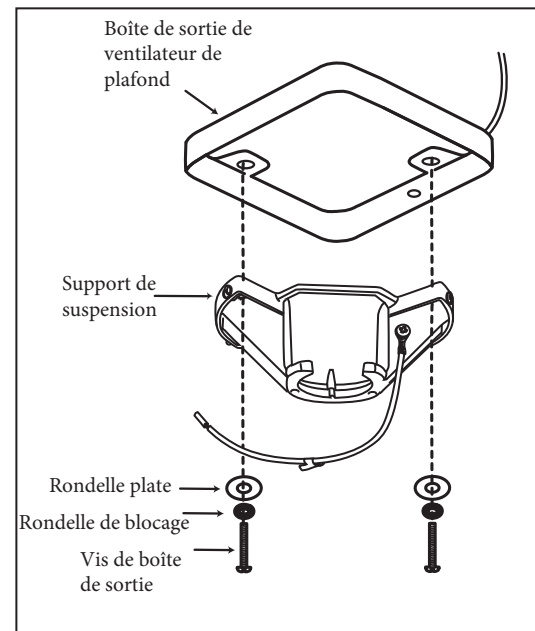
NE POSEZ PAS DE LOGEMENT DE MOTEUR SUR LE CÔTÉ, CELA POURRAIT ENTRAÎNER LE DÉPLACEMENT DU MOTEUR DANS LE BOÎTIER DÉCORATIF..



INSTALLATION DU SUPPORT DE SUSPENSION

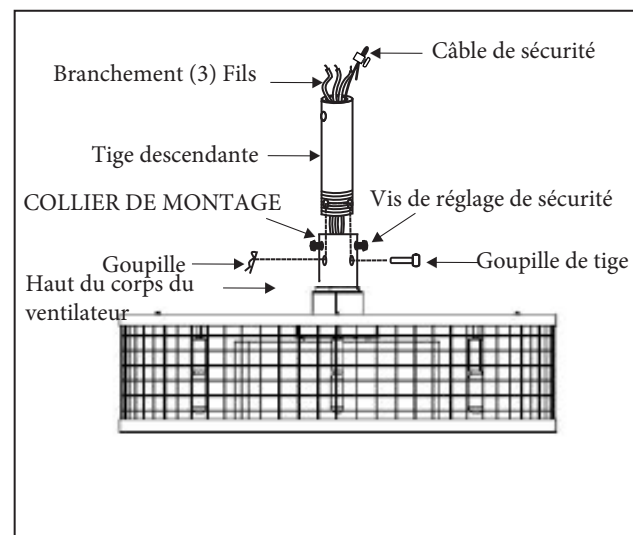
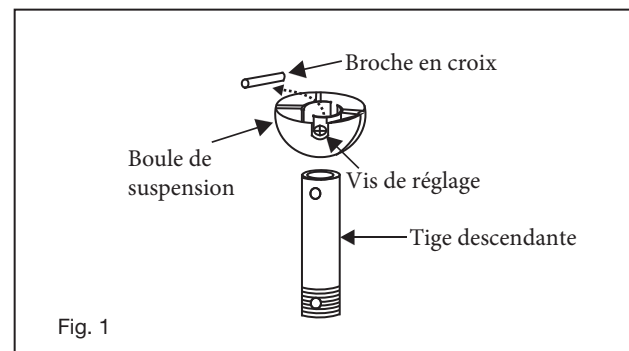
ATTENTION : Pour éviter tout risque de choc électrique, assurez-vous que l'électricité est coupée au niveau du boîtier d'alimentation principal avant de procéder au câblage. Tout le câblage doit être conforme aux codes électriques nationaux et locaux et le ventilateur de plafond doit être mis à la terre par mesure de précaution contre un éventuel choc électrique.

- 1 Localisez la solive de plafond où le ventilateur doit être monté, en vous assurant que l'emplacement est conforme aux exigences de la section de dégagement minimum de ce guide. Les solives de bois doivent être solides et de dimensions adéquates pour supporter 35 livres (Voir page 2, articles 3 et 4).
- 2 S'il n'est pas déjà présent, montez une boîte de sortie répertoriée UL et marquée « convient pour le support de ventilateur » en suivant les instructions fournies avec la boîte de sortie. La boîte de sortie doit pouvoir supporter un minimum de 35 livres.
- 3 Retirez le baldaquin du support de suspension. Retirez la bague de garniture à verrouillage par rotation en la faisant tourner dans le sens inverse des aiguilles d'une montre. Retirez la vis de la verrière qui n'a pas de fente pour clé dans la verrière. Desserrez la vis avec la fente pour clé et retirez le capot.
- 4 Fixez le support de suspension à la boîte de sortie à l'aide des vis fournies avec la boîte de sortie.



SUSPENSION DU VENTILATEUR

- 1 Retirez la boule de la tige de suspension en desserrant la vis de réglage sur le côté de la boule. Faites glisser la boule vers le bas et retirez la goupille de la boule ; retirer la balle. (Fig. 1)
- 2 Soutenez soigneusement le corps du ventilateur (moteur) dans son emballage en polystyrène avec le collier de montage (où sortent les fils) vers le haut.
- 3 Desserrez les deux vis de sécurité et retirez la goupille de la tige de suspension au lieu de la goupille d'attelage de l'accouplement au-dessus de l'ensemble moteur. (Fig. 2)
- 4 Faites passer avec précaution les fils électriques et le câble de sécurité du ventilateur à travers la tige de suspension. Vissez la tige de suspension dans le coupleur jusqu'à ce que les trous s'alignent. Insérez la goupille de la tige de suspension dans les trous du collier de montage et de la tige de suspension ; clipser la goupille fendue dans le petit trou à l'extrémité de la goupille de la tige de suspension pour maintenir la tige de suspension en place.
- 5 Serrez les vis de blocage de sécurité contre la tige de suspension à l'aide d'un gros tournevis à lame plate pour assurer un ajustement serré contre la tige de suspension. Serrez les écrous contre le collier de montage.



SUSPENSION DU VENTILATEUR

N'oubliez pas de couper l'alimentation avant de commencer.
Pour installer correctement votre ventilateur de plafond, suivez les étapes ci-dessous.

- 6 Glissez le couvercle de la fourche, l'anneau de garniture et la verrière sur la tige de suspension. (Fig. 3)
- 7 Faites glisser la boule de suspension sur la tige de suspension, insérez la goupille transversale dans la tige de suspension et serrez. Serrez la vis de réglage.
- 8 Soulevez la boule/la tige de suspension/le ventilateur dans l'ouverture du support de suspension. REMARQUE : La languette à l'opposé de l'ouverture du support de suspension doit s'insérer dans la fente de la boule. (Fig. 4)

REMARQUE:

6 pieds de fil de plomb sont fournis sur le ventilateur pour une utilisation avec des tiges de descente plus longues

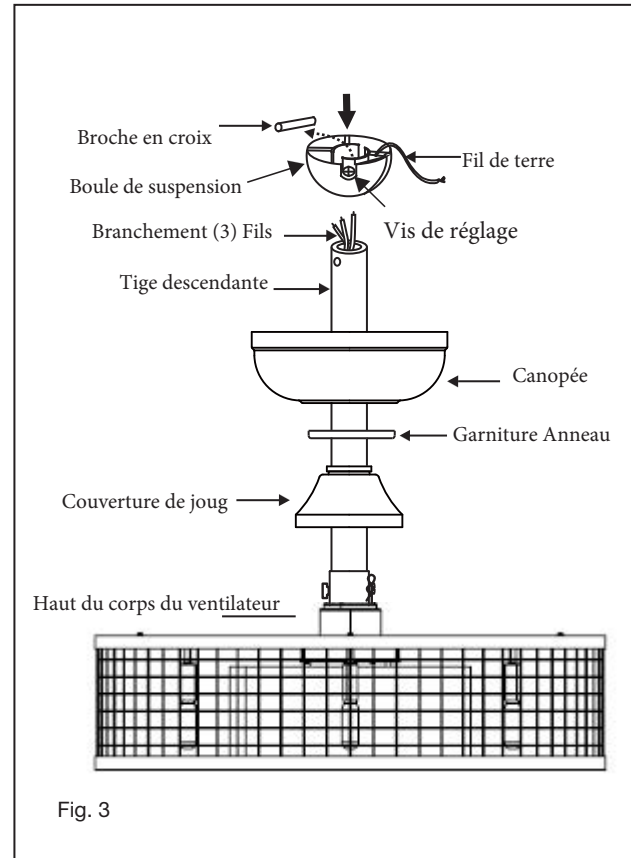


Fig. 3

INSTALLATION DU SUPPORT DE CÂBLE DE SÉCURITÉ

Fixez la vis à bois et la rondelle plate à la solive de plafond comme illustré (ne serrez pas complètement). Faites glisser le serre-câble sur le câble de sécurité du ventilateur. Enroulez le câble de sécurité autour de la vis à bois qui vient d'être fixée à la solive de plafond. Insérez l'extrémité du câble dans la pince et tirez autant de câble que possible. Serrez fermement la vis du collier. Coupez l'excédent de câble.

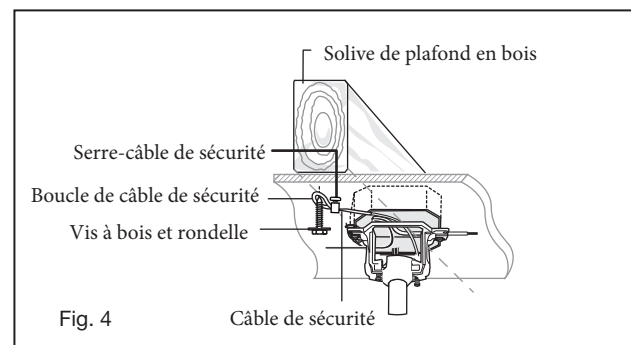


Fig. 4

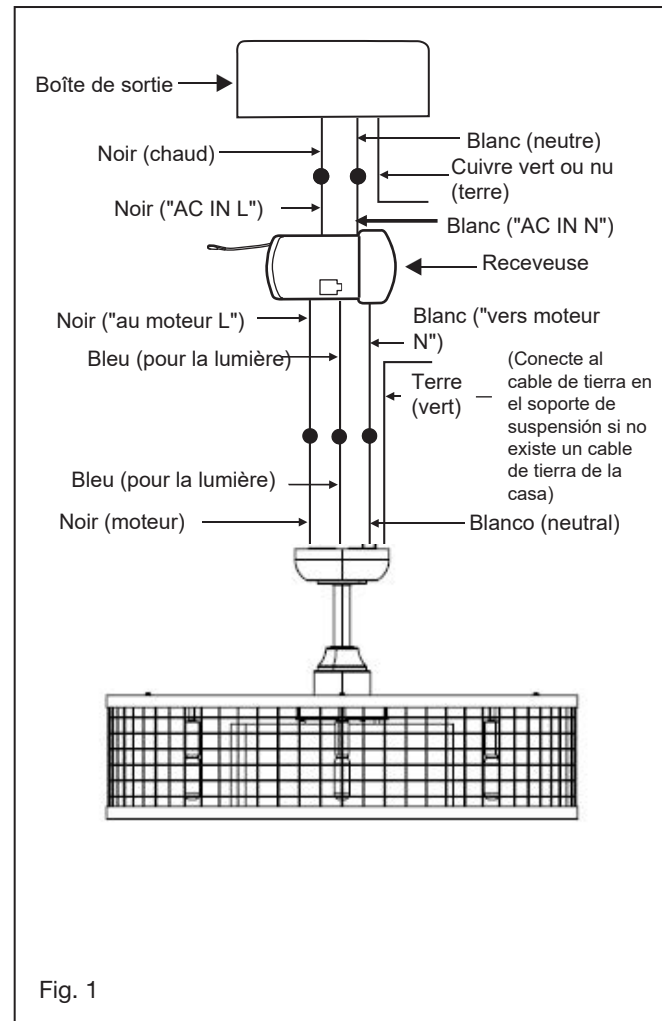
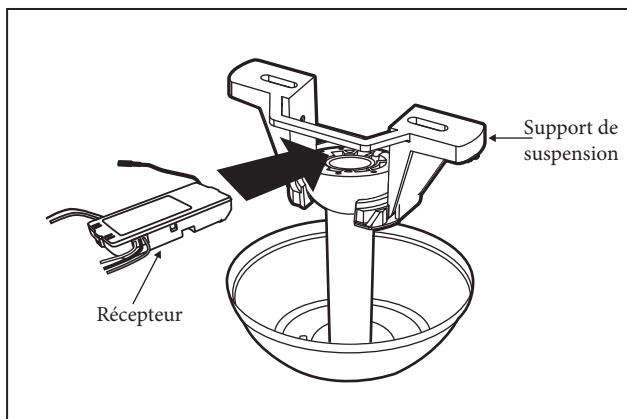
CONNEXIONS ELECTRIQUES

RAPPELEZ-VOUS - Coupez le courant ! REMARQUE - La commande doit être installée à moins de 30 pieds du ventilateur.

ATTENTION : Pour réduire le risque de choc électrique, ce ventilateur doit être installé avec une commande/interrupteur mural isolant.

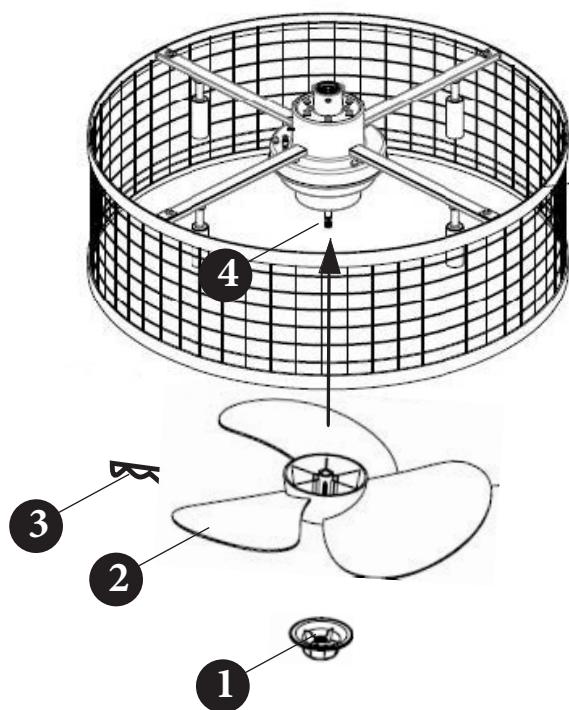
- 1 Connexions électriques du moteur au récepteur : Connectez le fil noir du ventilateur au fil noir marqué "TO MOTOR L" sur le récepteur. Connectez le fil blanc du ventilateur au fil blanc marqué "TO MOTOR N" sur le récepteur. Connectez le fil bleu du ventilateur au fil bleu marqué "FOR LIGHT" sur le récepteur. Fixez toutes les connexions de fils avec les serre-fils en plastique fournis.
- 2 Connexions électriques du récepteur aux fils d'alimentation de la maison : Connectez le fil noir (chaud) du plafond au fil noir marqué « AC in L » du récepteur. Connectez le fil blanc (neutre) du plafond au fil blanc marqué "AC in N" du récepteur. Fixez les connexions des fils avec les serre-fils en plastique fournis.

AVERTISSEMENTS : Vérifiez que toutes les connexions sont bien serrées, y compris la terre, et qu'aucun fil dénudé n'est visible au niveau des serre-fils, à l'exception du fil de terre.



INSTALLATION DES LAMES

- 1 Presser la lame (2) sur l'arbre du moteur en s'assurant que la goupille de l'arbre repose dans la fente en haut de la lame
- 2 Fixez le clip (3) à travers le trou dans l'arbre du moteur (4)
- 3 Vissez le capuchon décoratif (1) sur l'extrémité de l'arbre du moteur (filetage à gauche)



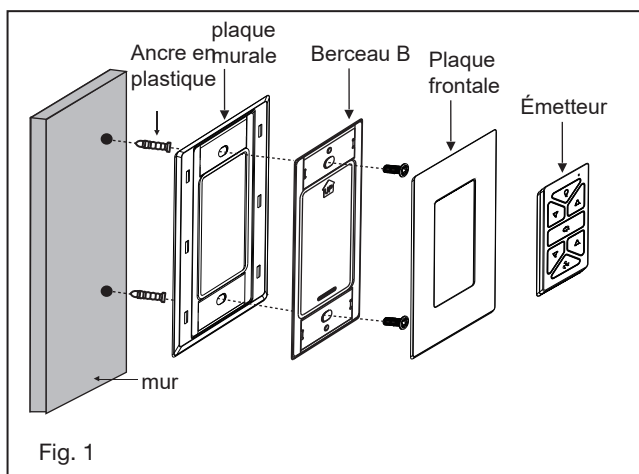
INSTALLATION DE LA COMMANDE MURALE

N'oubliez pas de couper l'alimentation avant de commencer.

REMARQUE - Se fixe à n'importe quelle surface ou application : mur plat, boîte simple, boîte multi.

Option 1. Installation sur une surface plane

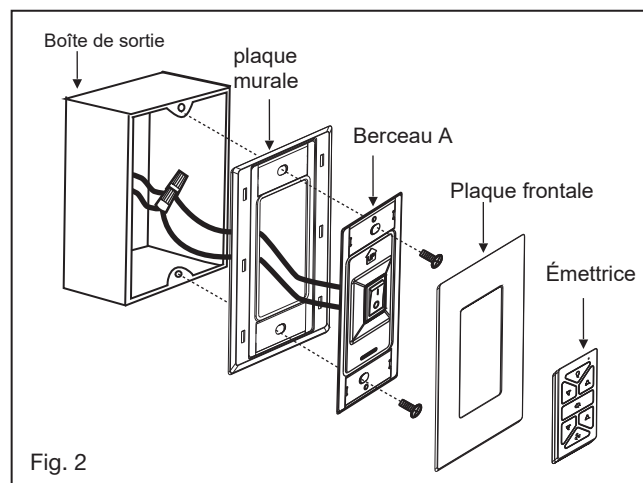
- 1 Sélectionnez un emplacement souhaité. Utilisez la plaque murale pour marquer l'emplacement des trous de montage. Des chevilles murales en plastique ou des vis de montage sont nécessaires pour cette application. (Fig. 1)
- 2 Placez le berceau B dans la plaque murale. Fixez la plaque murale au mur à l'aide de la quincaillerie fournie.
- 3 Enclenchez le couvercle de la plaque frontale sur le support mural.
- 4 L'émetteur à distance sera maintenu en place avec intégré m



HIRO HIRO Système de contrôle

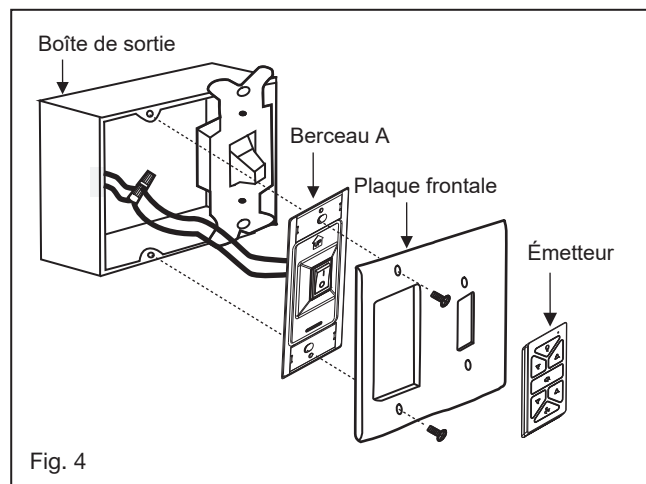
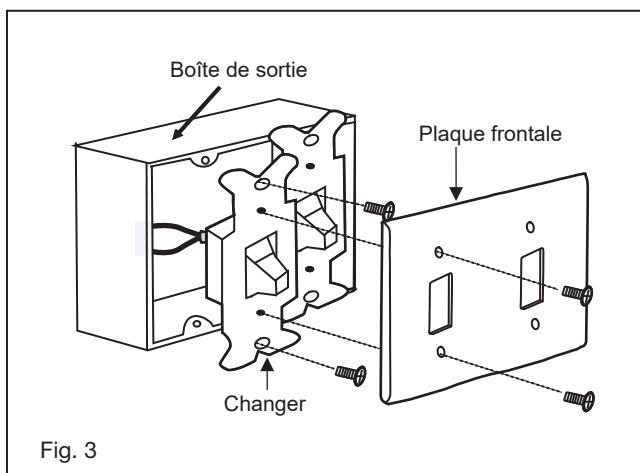
Option 2. Pour une seule boîte de gang

- 1 Retirez la plaque murale existante et l'ancien interrupteur de la boîte de prise murale.
- 2 Placez le berceau A dans la plaque murale. (Fig. 2)
- 3 Connectez les fils noirs du commutateur dans le berceau A aux fils noirs dans le boîtier de commutation. Fil d'entrée chaud vers l'un des fils du commutateur du berceau A. Le fil d'alimentation du ventilateur est connecté au fil de l'interrupteur restant.
- 4 Connectez l'ensemble plaque murale / berceau A à la boîte de sortie murale à l'aide du matériel fourni.
- 5 Enclenchez le couvercle de la plaque frontale sur le support mural.
- 6 L'émetteur à distance sera maintenu en place avec des aimants intégrés.



Option 3. Installation du boîtier d'interrupteur mural multi-unités

- 1 Retirez la plaque murale existante et l'ancien interrupteur de la boîte de prise murale. (Fig. 3)
- 2 Connectez les fils noirs de l'interrupteur sur la base A aux fils noirs dans la boîte de commutation. Fil d'entrée chaud à l'un des fils du commutateur de base. Le câble d'alimentation du ventilateur est connecté au câble du commutateur restant. (Illustration 4)
- 3 Fixez la base A au boîtier d'interrupteur mural à l'aide des accessoires fournis.
- 4 Connectez la façade multi-groupes à l'interrupteur dans la boîte de prise murale. Hinkley Switch Base A s'adapte à n'importe quelle façade déco standard.
- 5 L'émetteur à distance sera maintenu en place avec des aimants intégrés.



HIRO Système de contrôle HIRO

OPÉRATION

Votre ventilateur est équipé d'une télécommande de type à apprentissage automatique. Il n'y a pas de commutateurs de fréquence sur le récepteur ou l'émetteur. Le ventilateur peut commencer à fonctionner une fois le processus d'appairage terminé. Retirez le panneau de l'émetteur, puis installez une pile 2032 (incluse). Vous devez utiliser un tournevis pour ouvrir ou fermer le couvercle de la batterie. Pour éviter d'endommager l'émetteur, retirez la batterie s'il n'est pas utilisé pendant de longues périodes (Fig. 1).



AVERTISSEMENT : Risque de brûlure chimique. Gardez les piles hors de portée des enfants chimique

Ce produit contient une pile bouton/bouton au lithium. Si une pile bouton/bouton au lithium neuve ou usagée est avalée ou pénètre dans le corps, elle peut provoquer de graves brûlures internes et entraîner la mort en seulement 2 heures. Sécurisez toujours complètement le compartiment à piles. Si le compartiment des piles ne se ferme pas correctement, arrêtez d'utiliser le produit, retirez les piles et gardez-le hors de portée des enfants. SI vous pensez que des piles ont pu être avalées ou placées dans une partie quelconque du corps, consultez immédiatement un médecin.

Les piles doivent être éliminées de manière appropriée, notamment en les gardant hors de portée des enfants ; Même les cellules utilisées peuvent provoquer des blessures..

- 1 Appuyez sur ce bouton et relâchez-le instantanément pour allumer ou éteindre la lumière.
- 2 Maintenez enfoncé pour atténuer ou éclaircir les lumières au niveau souhaité, puis relâchez
- 3 Appuyez sur le bouton pour allumer et régler la vitesse du ventilateur 1 à 3.
- 4 Appuyez sur ce bouton pour éteindre le ventilateur.
- 5 Feu de signalisation (Fig. 2)

Processus de couplage

REMARQUE : Si vous installez/appairez plus d'un ventilateur dans une zone, l'alimentation doit être débranchée de tous les ventilateurs, à l'exception de celui en cours d'appairage.

REMARQUE : Le ventilateur doit être entièrement installé avec les pales avant d'appairer les commandes.

Le ventilateur étant éteint, rétablissez l'alimentation du ventilateur. Appuyez et maintenez le bouton « » pendant environ 5 secondes et relâchez. Si un kit d'éclairage en option est installé, le kit d'éclairage clignotera trois fois et le moteur tournera pendant 10 secondes à basse vitesse. Le ventilateur a terminé le processus de couplage avec la commande murale et est prêt à être utilisé.

REMARQUE : Un seul ventilateur peut être contrôlé avec jusqu'à 3 commandes murales dans une pièce. Chaque commande devra répéter le processus de couplage en fonction des instructions ci-dessus et toutes les commandes doivent être à moins de 30 pieds du ventilateur.

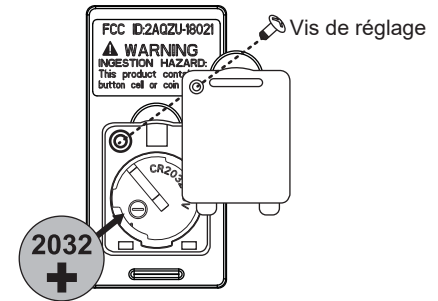


Fig. 1

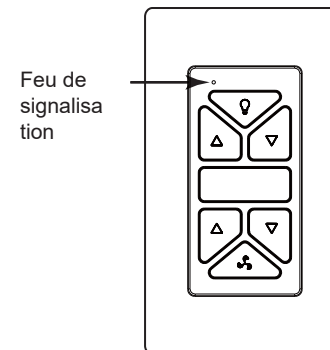
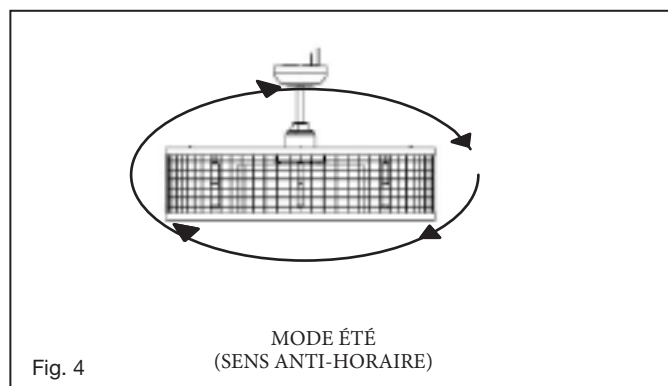
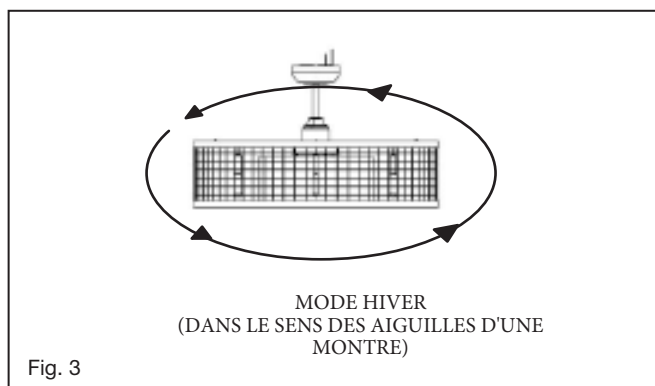


Fig. 2

HIRO Système de contrôle HIRO

Fonctionnement en mode été et en mode hiver

- 7 Mode été (avant):
Un flux d'air VERS LE BAS crée un effet de refroidissement comme illustré à la figure 3. Cela vous permet de régler votre climatiseur sur un réglage plus chaud sans affecter votre confort.
- 8 Mode hiver (marche arrière):
Un flux d'air VERS LE HAUT déplace l'air plus chaud de la zone du plafond comme illustré à la figure 4. Cela vous permet de régler votre unité de chauffage sur un réglage plus frais sans affecter votre confort.



ENTRETIEN ET NETTOYAGE

Périodiquement, il peut être nécessaire de resserrer les vis de la lame sur le bras de la lame ou du bras de la lame sur les vis du moteur pour éviter un cliquetis ou un bourdonnement pendant le fonctionnement. Cela est particulièrement vrai dans les climats avec de larges plages de température et d'humidité.

Lorsque vous époussetez les lames, vous devez soutenir la lame pour éviter qu'elle ne se plie - aucune pression ne doit être appliquée sur les lames. Si vous rencontrez des défauts dans le fonctionnement de votre ventilateur, veuillez vérifier les points suivants.

DÉPANNAGE

MISE EN GARDE:

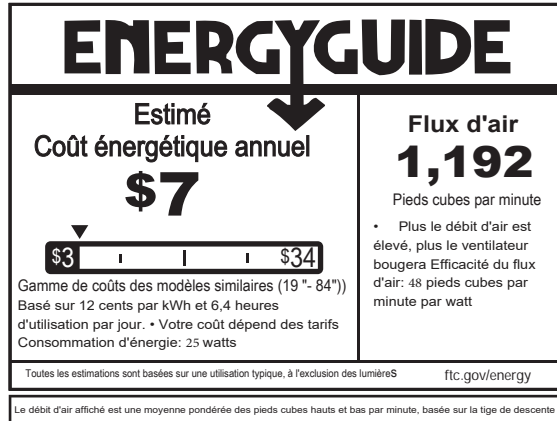
Coupez l'alimentation électrique avant d'effectuer l'une de ces vérifications

PROBLÈME	Solution
LE VENTILATEUR NE DEMARRE PAS	<ol style="list-style-type: none">1. Vérifiez les disjoncteurs principaux et de dérivation et/ou les fusibles.2. Vérifiez les connexions des fils de ligne au câblage du boîtier du ventilateur. Assurez-vous que l'interrupteur marche avant/arrière est réglé sur l'une ou l'autre position, pas coincé entre les deux.
LE VENTILATEUR SONNE BRUYANT	<ol style="list-style-type: none">1. Vérifiez et assurez-vous que toutes les vis du boîtier du moteur sont bien serrées (mais pas trop serrées).2. Vérifiez que les connecteurs de fil dans la canopée ne cliquent pas les uns contre les autres.3. Vérifiez que toutes les ampoules sont bien maintenues dans les douilles.4. Vérifiez que l'auvent est solidement fixé au support de suspension et qu'il ne vibre pas contre le plafond.

GUIDE ÉNERGÉTIQUE

CARACTÉRISTIQUES

PERFORMANCE MOYENNE ET INFORMATIONS ÉNERGÉTIQUES



SPÉCIFICATIONS DE PERFORMANCE	STANDARD	
	HIGH SPEED	LOW SPEED
Débit d'air (CFM)	1458	890
Consommation d'énergie (watts)	33.1	14.5
Efficacité du flux d'air (CFM / W)	44	61
Coûts énergétiques (annuels)	9	4
Amplis	0.28	0.20
RPMs	1262	716

TÉLÉCHARGEMENT DE L'APPLICATION HINKLEY

(REQUIERE CONTROL DE ACCESORIOS QUE SE VENDE POR SEPARADO)

OPTIONS DE VENTILATEURS INTELLIGENTS HINKLEY:

En plus de la commande murale incluse, vous pouvez contrôler votre ventilateur Hinkley via l'application Hinkley.

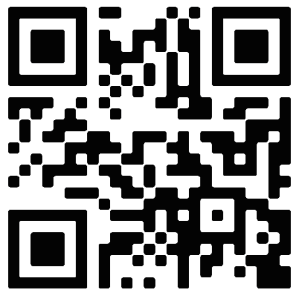
- Pour utiliser l'application Hinkley, téléchargez-la gratuitement depuis l'App Store ou Google Play.
- Ouvrez l'application Hinkley où vous serez invité à créer un compte.
- Entrez toutes les informations nécessaires pour créer un compte.
- Une fois le compte créé, vous recevrez un e-mail de code de vérification pour terminer la configuration de l'application Hinkley (vérifiez le dossier spam si l'e-mail n'est pas reçu).
- Confirmez que Bluetooth est activé pour permettre au ventilateur et à l'application Hinkley de se connecter.
- Cliquez sur Ajouter un appareil sur l'écran d'accueil et sélectionnez le ventilateur souhaité.
- L'application Hinkley vous demandera alors d'entrer le nom et le mot de passe WiFi.
- Cliquez sur terminé sur l'application Hinkley pour terminer la connexion du ventilateur.
- L'application Hinkley aura des options sur l'écran principal pour les vitesses du ventilateur, la gradation et le réglage des minuteries.
- Scannez le code QR ci-dessous pour plus d'informations sur le fonctionnement de l'application Hinkley.



SCANNEZ POUR PLUS DE DÉTAILS

MERCI

POUR L'ACHAT DE VOTRE NOUVEAU VENTILATEUR HINKLEY
NOUS SOUTIENNONS CHAQUE LUMINAIRE QUE NOUS FABRIQUONS. CE
VENTILATEUR DEVRAIT VOUS OFFRIR DE NOMBREUSES ANNÉES DE
PLAISIR. DANS LE CAS PEU PROBABLE VOUS AVEZ UN PROBLÈME, NOUS
SOMMES LÀ POUR VOUS AIDER À LE RÉSOLOU.
VEUILLEZ APPELER LE 1(800)446-5539, VISITEZ HINKLEY.COM/FAN OU
ENVOYEZ UN EMAIL À CUSTOMERCARE@HINKLEY.COM AVANT DE
RETOURNER AU REVENDEUR



NUMÉRISEZ LE CODE QR POUR UNE
ASSISTANCE SUPPLÉMENTAIRE ET DES
GUIDES DE CONFIGURATION DÉTAILLÉS

HINKLEY

HINKLEY EST FIER DE VOUS PROPOSER DES PRODUITS DE VENTILATEUR DE
PLAFOND QUI AMÉLIORENT VOTRE ESPACE AVEC CONFORT, OBJECTIF ET STYLE. EN
TANT QUE ENTREPRISE FAMILIALE, NOUS NOUS ENGAGEONS SUR LA CONCEPTION,
LA PERFORMANCE ET LA QUALITÉ,
ET CE QUI EST IMPORTANT POUR VOUS EST PRIMORDIAL POUR NOUS.
POUR UN ASSORTIMENT COMPLET DE NOS PRODUITS ET LIVRES SOURCES, VISITEZ
HINKLEY.COM.

HINKLEY

GLOBAL HEADQUARTERS

33000 Pin Oak Parkway | Avon Lake, Ohio 44012

T (440) 653 5500 | F (440) 653 5555 | hinkley.com