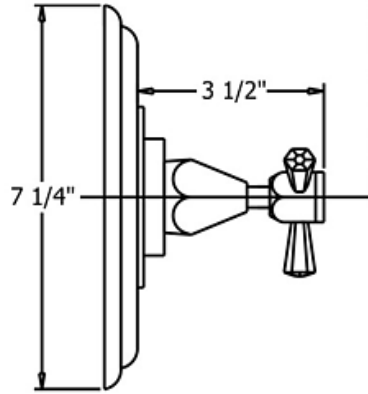


3649 - 'Monarque' 3/4" Thermostatic Valve



Part#	Description
17	Monarque Horizontal Handle Stem
18	Handle Screw
19	Monarque Insert Holder
20	Rubber O-Ring
21	Ceramic Insert
90	Monarque Insert Assembly
91	Monarque Handle Assembly

Technical Information

- Two 3/4" female inlets.
- Two 3/4" female outlets.
- Controls temperature only.
- Available finishes are French Weathered Brass (**47**), Polished Chrome (**48**), SoliBrass (**49**), Lacquered Matte Black Nickel (**50**), Old Gold (**52**), Old Silver (**53**), Polished Brass (**55**), Polished Nickel (**56**), Brushed Nickel (**57**), Satin Nickel (**60**), Antique Lacquered Copper (**67**), Antique Lacquered Brass (**68**), Weathered Brass (**70**), Lacquered Polished Black Nickel (**71**) and Lacquered Polished Copper (**80**).
- Please See Cleaning Instructions: <http://herbeau.com/CleaningAll.pdf> For Finish Care and Maintenance Information.

Part#	Description
03	3/4" Thermostatic Cartridge With Cover Plate
04	Set Screw
05	Black Plastic Scold Stop Plate
06	Pointer Cap With/Without Trim
07	Cover Plate
08	Cartridge Cover Bolts
09	Round Tube 3"
10	Square Adapter
9+10	8" or 3" Extension Kit
11	Monarque Thermostat Number Plate
12	Swivel Bushing
15	Thermostat Control Stem
16	Monarque Handle Center

Please follow example when ordering parts for 'Monarque' 3/4" Thermostatic Valve

- To order part #07 – Cover Plate

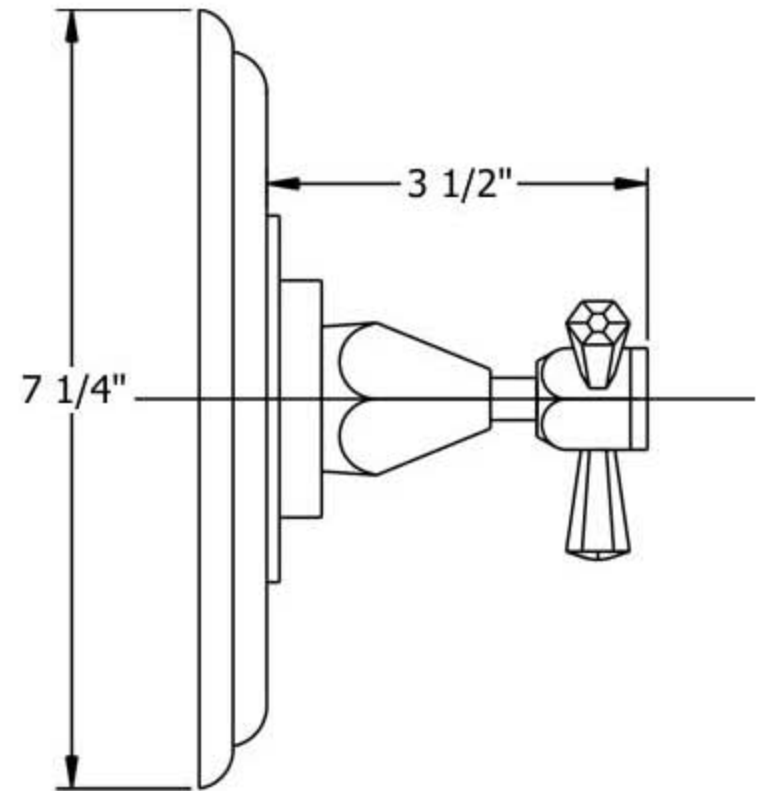
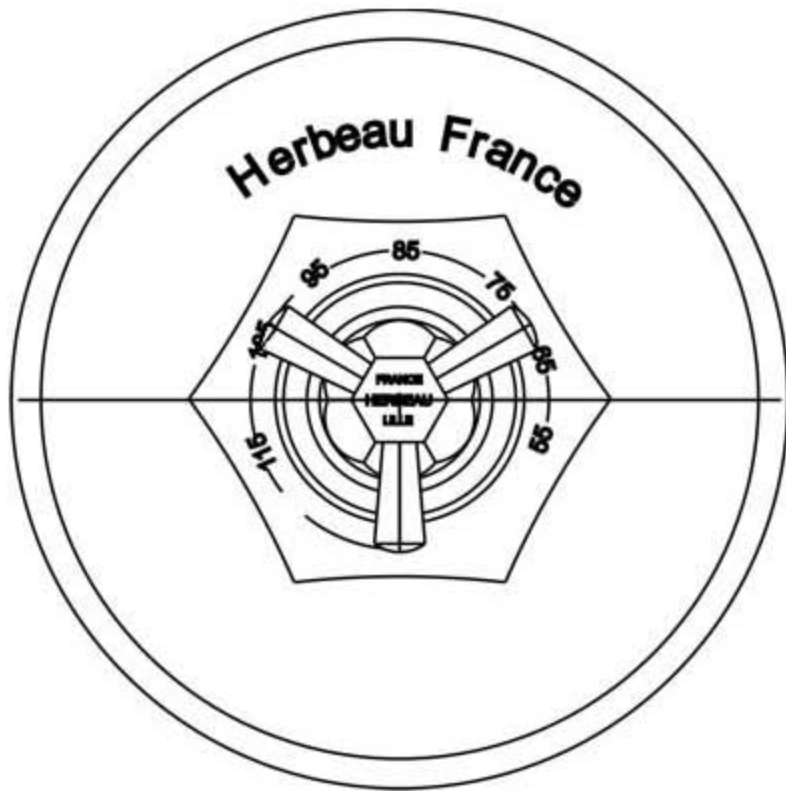
○ 990175xx

- Please substitute finish number needed in place of xx



Herbeau[®]
L'Art du Sanitaire depuis 1857

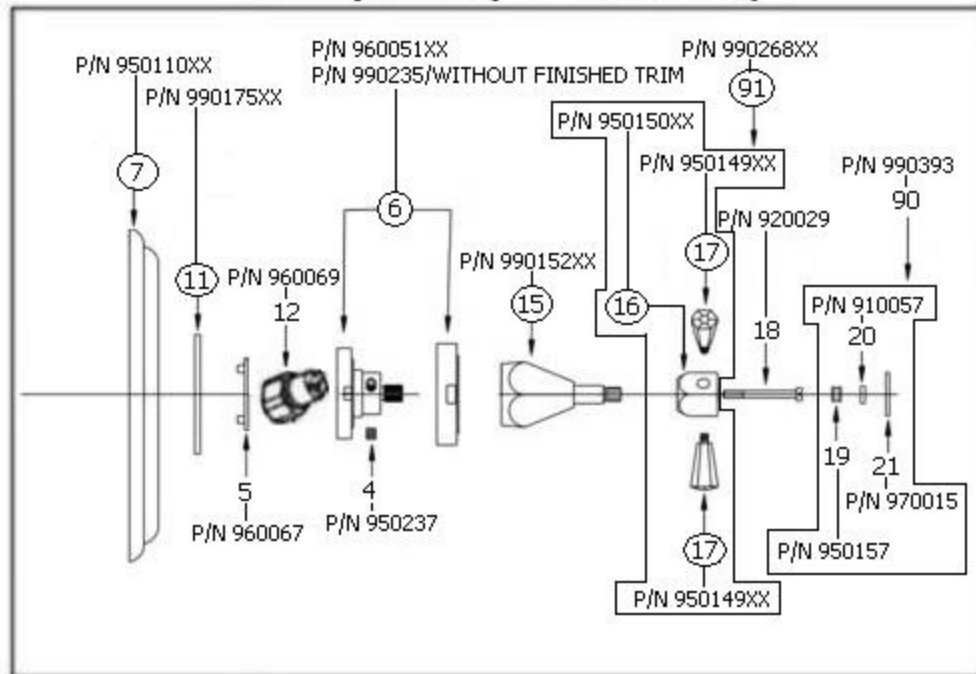
3649 - 'Monarque' 3/4" Thermostatic Valve



3649 - 'Monarque' 3/4" Thermostatic Valve

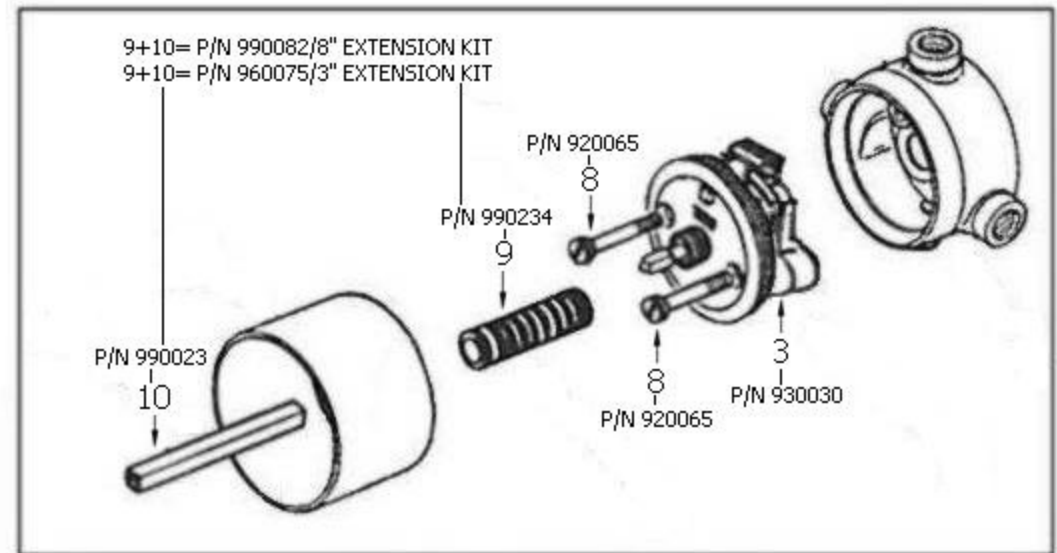
*P/N = PART NUMBER

3649(Finish)-T Trim only



○ = FINISHED PARTS

XX = TWO DIGIT FINISH CODE



3649-R Rough only