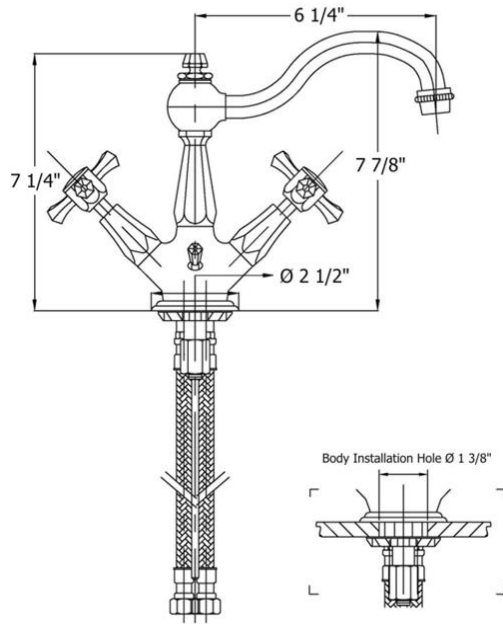


# 3601 - 'Monarque' Single Hole Basin Mixer



## Technical Information

- NSF / ANSI 61 & 372 / ASME A112.18.1 / CSA B125.1 / CEC AB1953 / WATERSENSE certified.
- Uses Flühs ceramic cartridges.
- Includes 1 1/4" drain assembly.
- Requires 1 3/8" hole drilling.
- Swiveling spout.
- 6 1/4" spout projection.
- Maximum flow rate is 1.2 GPM / 5.45 L / mn with new low flow restrictor.
- Available finishes are French Weathered Brass (**47**), Polished Chrome (**48**), SoliBrass (**49**), Lacquered Matte Black Nickel (**50**), Old Gold (**52**), Old Silver (**53**), Polished Brass (**55**), Polished Nickel (**56**), Brushed Nickel (**57**), Satin Nickel (**60**), Antique Lacquered Copper (**67**), Antique Lacquered Brass (**68**), Weathered Brass (**70**), Lacquered Polished Black Nickel (**71**) and Lacquered Polished Copper (**80**).
- Please See Cleaning Instructions: <http://herbeau.com/CleaningAll.pdf> For Finish Care and Maintenance Information.

Part #	Description
01	Monarque Top Knob
02	Finished Washer
03	Monarque Spout 6 1/4"
04	Aerator Washer
05	Aerator Filter
06	Aerator Cover
07	Spout O-Ring
08	Upper Body – Ecobross
09	Base – Ecobross
10	1/2 Turn Ceramic Cartridge – Ecobross
11	Finished Cartridge Cover
12	Handle Stem
13	Monarque Handle Center
14	Monarque Horizontal Handle Stem
15	Monarque Insert Holder
16	Ceramic Insert
17	Rubber O-Ring
18	Threaded Mounting Rod
18	Extended Threaded Mounting Rod
19	Escutcheon
20	Flat Rubber Washer
21	Brass Horseshoe
22	Brass Hex Nut
23	12" X 3/8" Flexible Hose With O-Ring
23	30" X 3/8" Flexible Hose With O-Ring
24	Monarque Pop-Up Rod Knob
25	Finished Pop-Up Rod
26	Pop-Up Assembly Only
27	Handle Screw
28	Rubber Horseshoe Washer
29	Horizontal Pop-Up Rod Only
30	Connectors For Pop-Up Assembly Rod
91	Monarque Insert Assembly
92	Monarque Handle Assembly



U.P. Code  
NSF-61/9-G  
ASME A112.18.1/CSA B125.1



Certified by  
NSF International

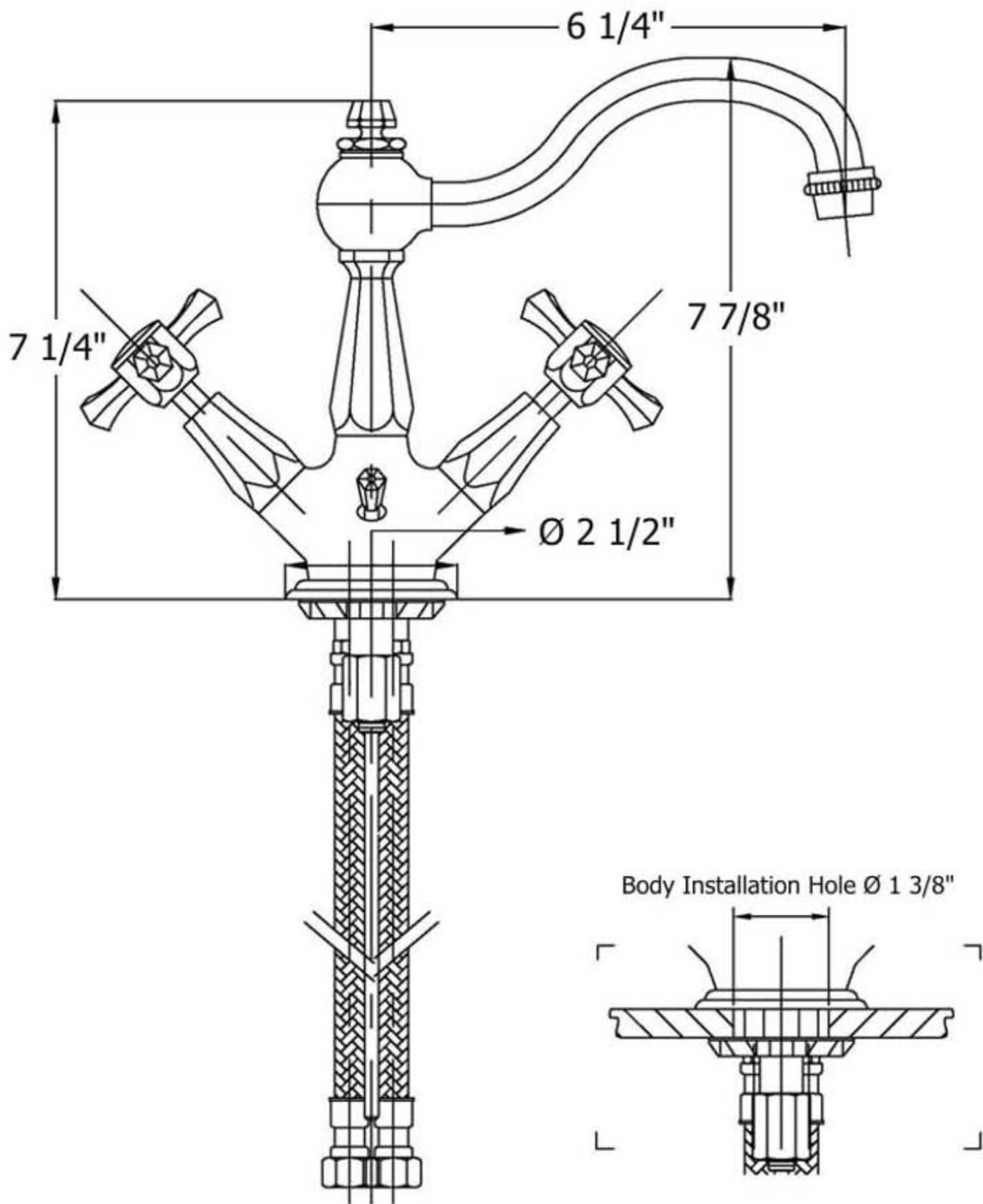
Please follow example when ordering parts for 'Monarque' Mixer

- To order part #2 – Finished Washer
  - 910035xx
- Please substitute finish number needed in place of **xx**



**Herbeau**<sup>®</sup>  
L'Art du Sanitaire depuis 1857

# 3601 - 'Monarque' Single Hole Basin Mixer



# 3601 - 'Monarque' Single Hole Basin Mixer

\*990236 CARTRIDGES FOR FIXTURES MADE AFTER 2009.

\*930011 CARTRIDGES GOOD FOR ALL YEARS

\*P/N = PART NUMBER

