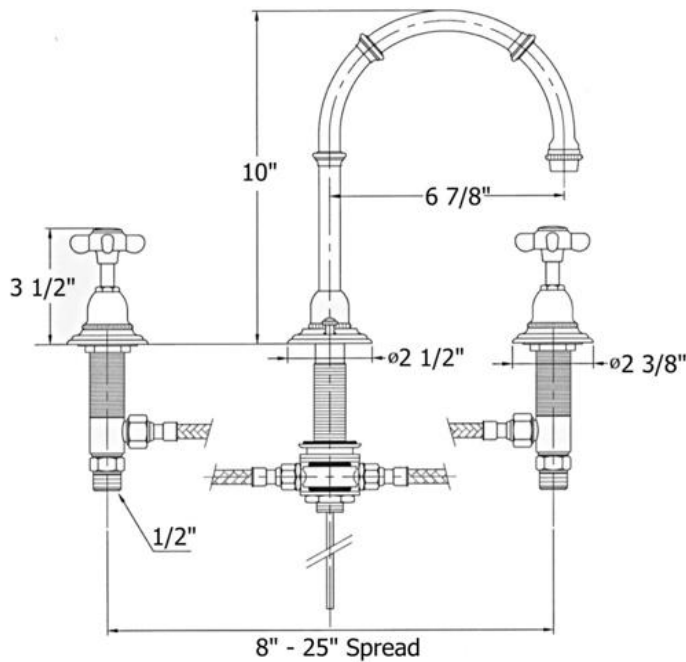


3202 - 'Royale' High Arc Lavatory Set



Technical Information

- NSF / ANSI 61 & 372 / ASME A112.18.1 / CSA B125.1 / CEC AB1953 / WATERSENSE certified.
- Requires 1 1/4" hole drilling.
- 8" – 25" spread.
- Swiveling spout.
- 1/2 turn ceramic Flühs cartridges.
- Includes 1 1/4" pop-up drain assembly.
- Maximum flow rate is 1.2 GPM / 5.45 L / mn with new low flow restrictor.
- Available finishes are French Weathered Brass (47), Polished Chrome (48), SoliBrass (49), Lacquered Matte Black Nickel (50), Old Gold (52), Old Silver (53), Polished Brass (55), Polished Nickel (56), Brushed Nickel (57), Satin Nickel (60), Antique Lacquered Copper (67), Antique Lacquered Brass (68), Weathered Brass (70), Lacquered Polished Black Nickel (71) and Lacquered Polished Copper (80).
- Please See Cleaning Instructions: <http://herbeau.com/CleaningAll.pdf> For Finish Care and Maintenance Information.

Part #	Description
01	Ceramic Insert H/C
02	Finished Insert Holder
03	Handle Screw
04	Washer
05	Cross Handle
06	Handle Stem
07	Bell Escutcheon
08	Aerator Washer
09	Aerator Filter
10	Escutcheon
11	Flat Rubber Washer
12	Metal Ring & Rubber Washer
13	Brass Hex Nut
14	Rubber O-Ring
15	Valve Body – Ecobross
16	1/2" Washer
17	1/2" Adapter – Ecobross
18	Pop-Up Assembly Only
19	Flexible Hose F-F
20	H&C Mixing Chamber - Ecobross
21	Brass Nut
22	Metal Washer
23	Rubber O-Ring
24	Brass Nut
25	Horizontal Pop-Up Rod
26	Finished Central Body - Ecobross
27	Rubber O-Ring
28	High Arc Spout - Ecobross
29	Pop-Up Knob
30	Pop-Up Rod
31	Bell Escutcheon
32	Nylon Clip
33	Aerator Cover
34	Connectors F/Pop-Up
85	1/2 Turn Ceramic Cartridge - Ecobross
91	Finished Ceramic Insert



U.P. Code
NSF-61/9-G
ASME A112.18.1/CSA B125.1



Certified by
NSF International

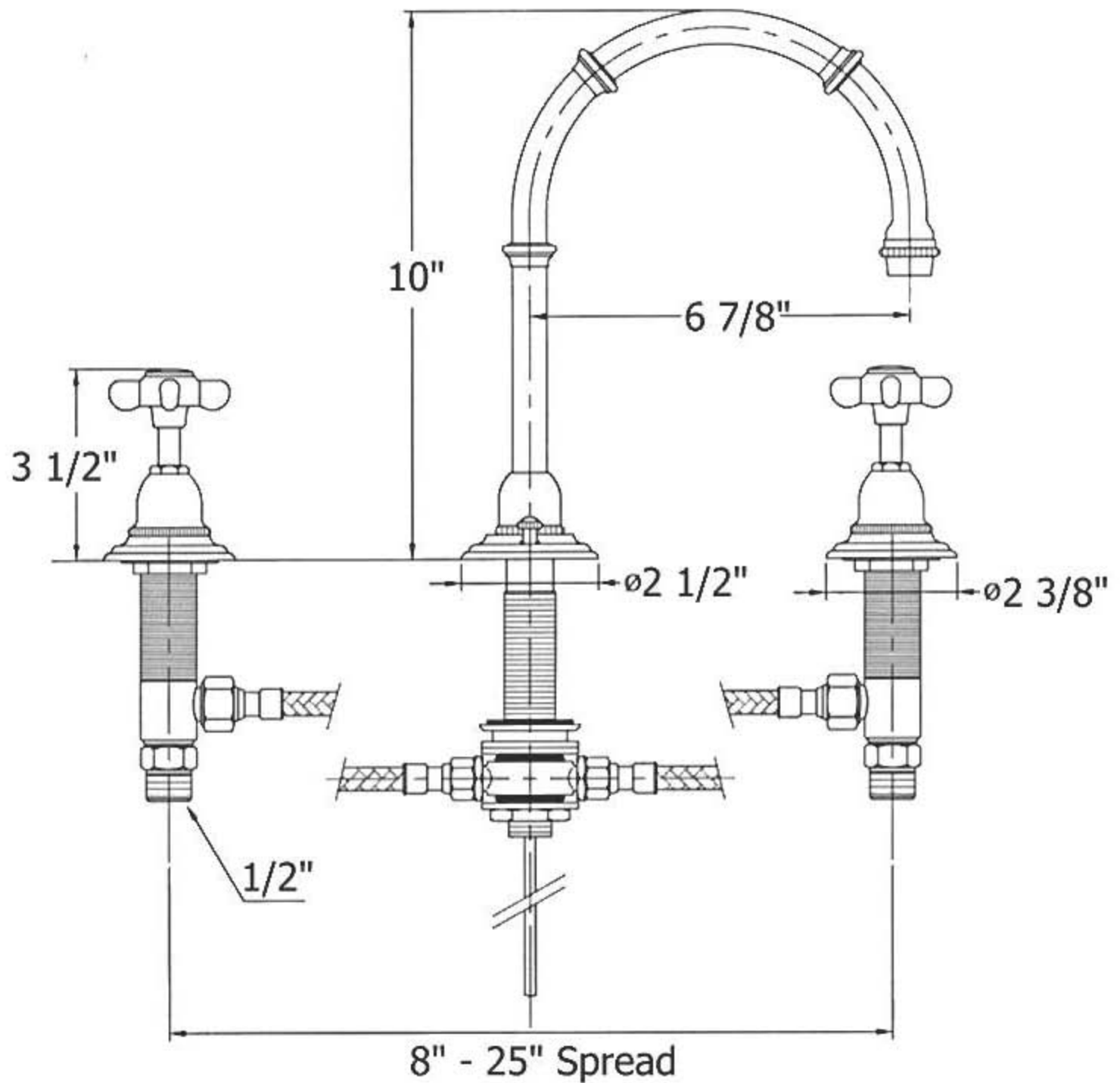
Please follow example when ordering parts for 'Royale' Lav. Set

- To order part#05 – Cross Handle
 - 950064xx
- Please substitute finish number needed in place of xx



Herbeau®
L'Art du Sanitaire depuis 1857

3202 - 'Royale' High Arc Lavatory Set



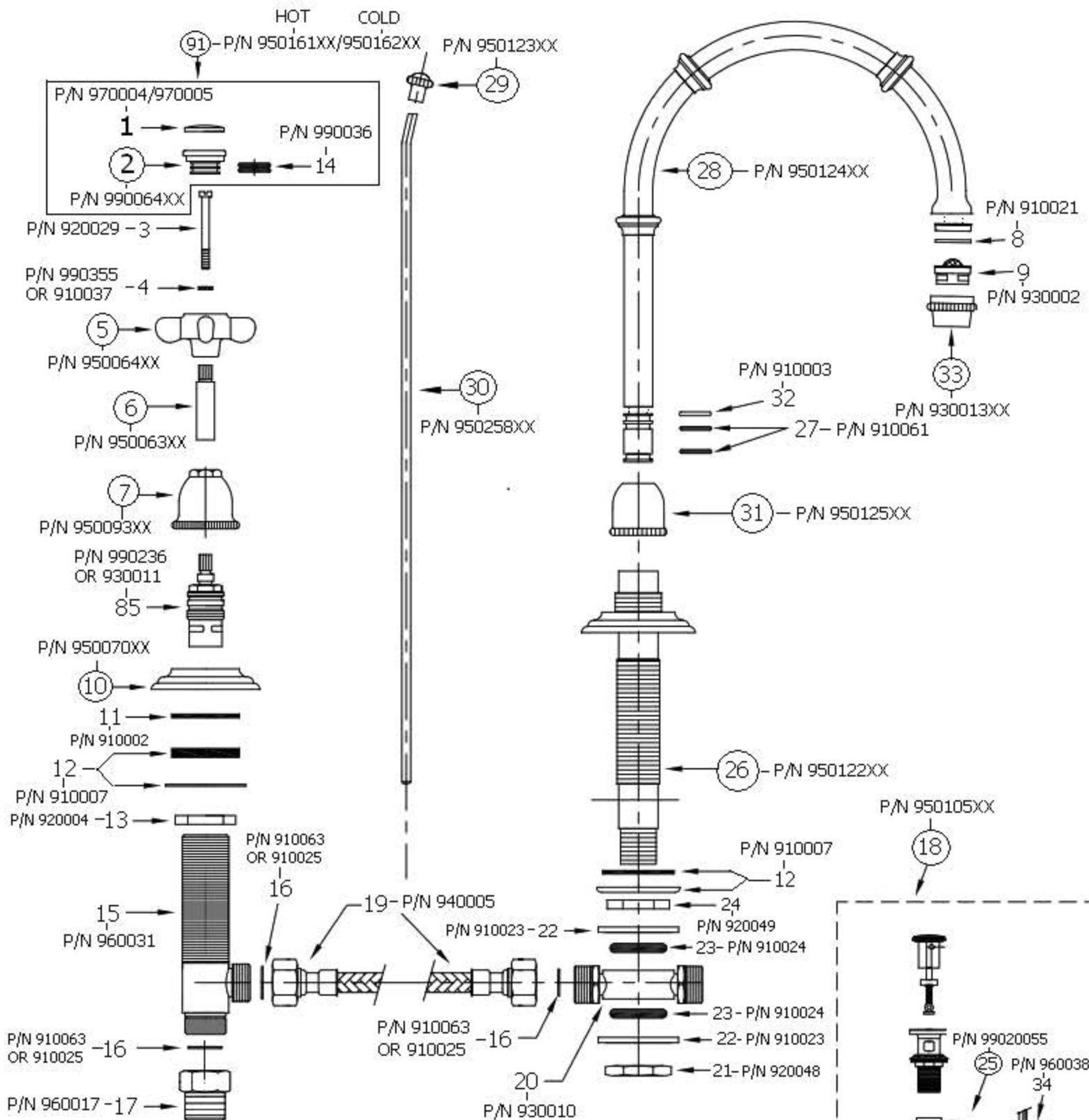
Hole Drilling = 1 1/4"

3202 - 'Royale' High Arc Lavatory Set

*990236 CARTRIDGES FOR FAUCETS MADE AFTER 2009.

*P/N = PART NUMBER

*930011 CARTRIDGES GOOD FOR ALL YEARS



XX=TWO DIGIT FINISH CODE

○ - FINISHED PARTS