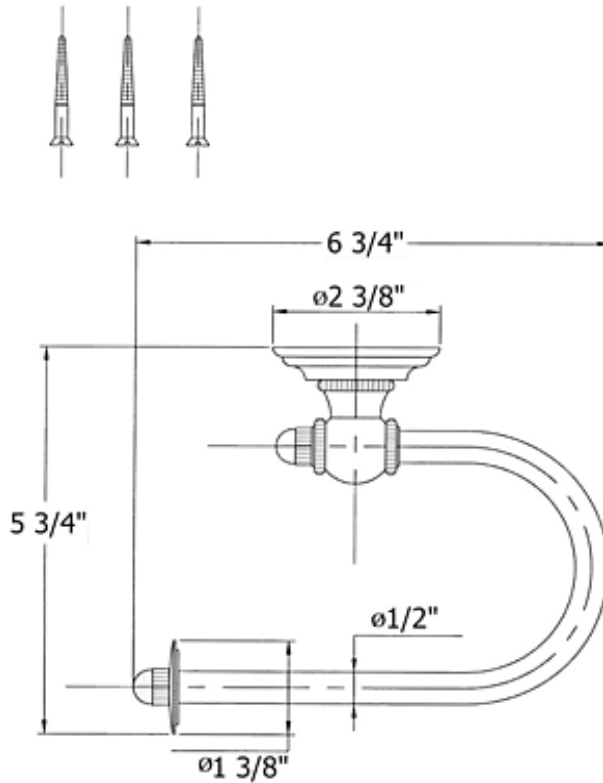


3120 – ‘Royale’ Tissue Holder



Technical Information

- Available finishes are French Weathered Brass (47), Polished Chrome (48), SoliBrass (49), Lacquered Matte Black Nickel (50), Old Gold (52), Old Silver (53), Polished Brass (55), Polished Nickel (56), Brushed Nickel (57), Satin Nickel (60), Antique Lacquered Copper (67), Antique Lacquered Brass (68), Weathered Brass (70), Lacquered Polished Black Nickel (71) and Lacquered Polished Copper (80).
- Please See Cleaning Instructions: <http://herbeau.com/CleaningAll.pdf> For Finish Care and Maintenance Information.

Part#

Description

01	Mounting Screw Kit
02	Mounting Plate
03	Escutcheon
04	Connection For Escutcheon
05	Plastic Washer
06	Long Threaded Stem
07	Finished Paper Holder
08	Short Threaded Stem
09	Sleeve
10	End Cap
11	Body
12	Set Screw
13	Body Finial

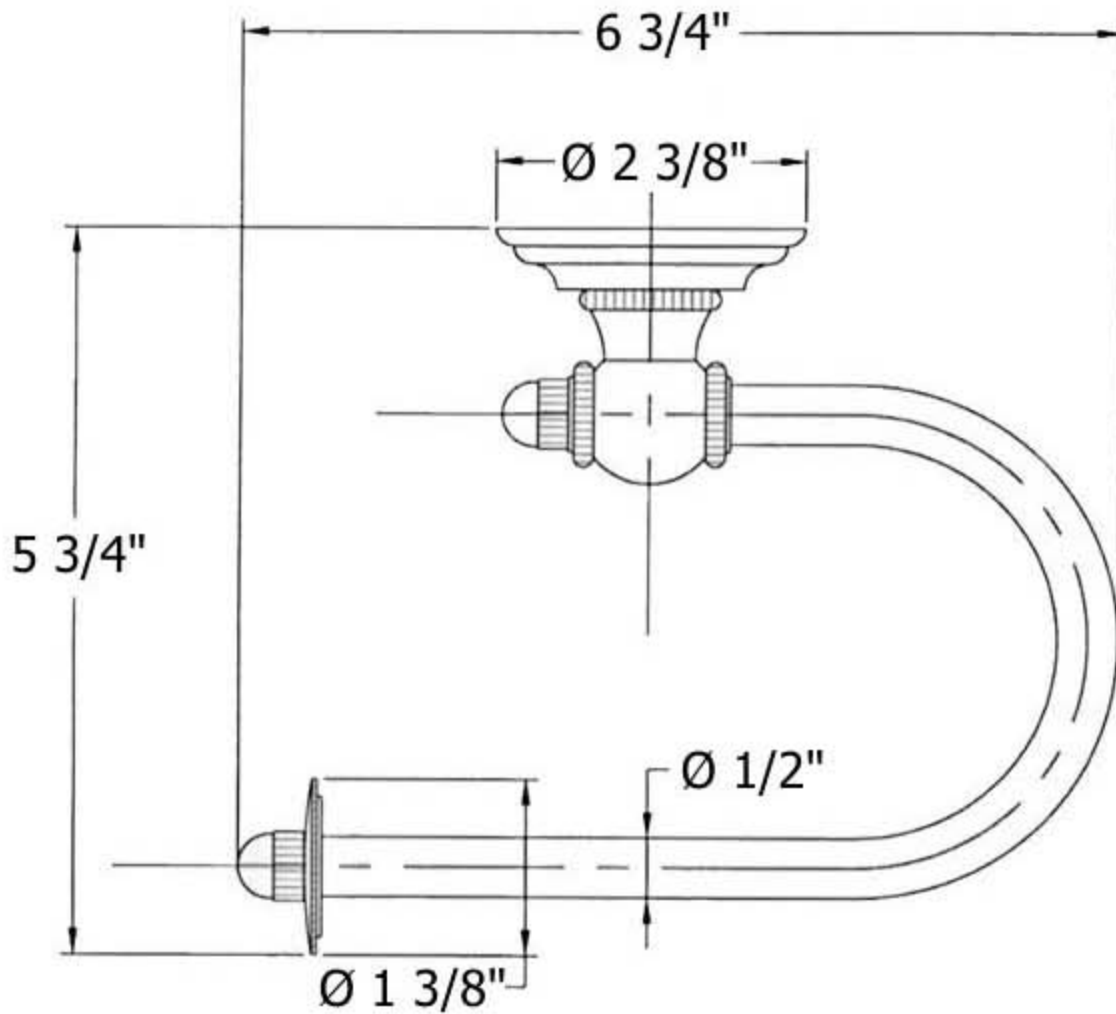
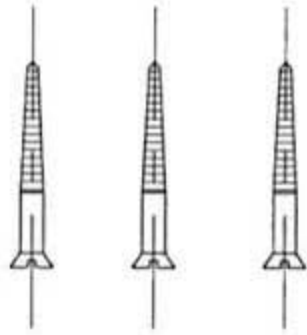
Please follow example when ordering parts for ‘Royale’ Tissue Holder

- To order part#03 – Escutcheon
 - 950070xx
- Please substitute finish number needed in place of xx



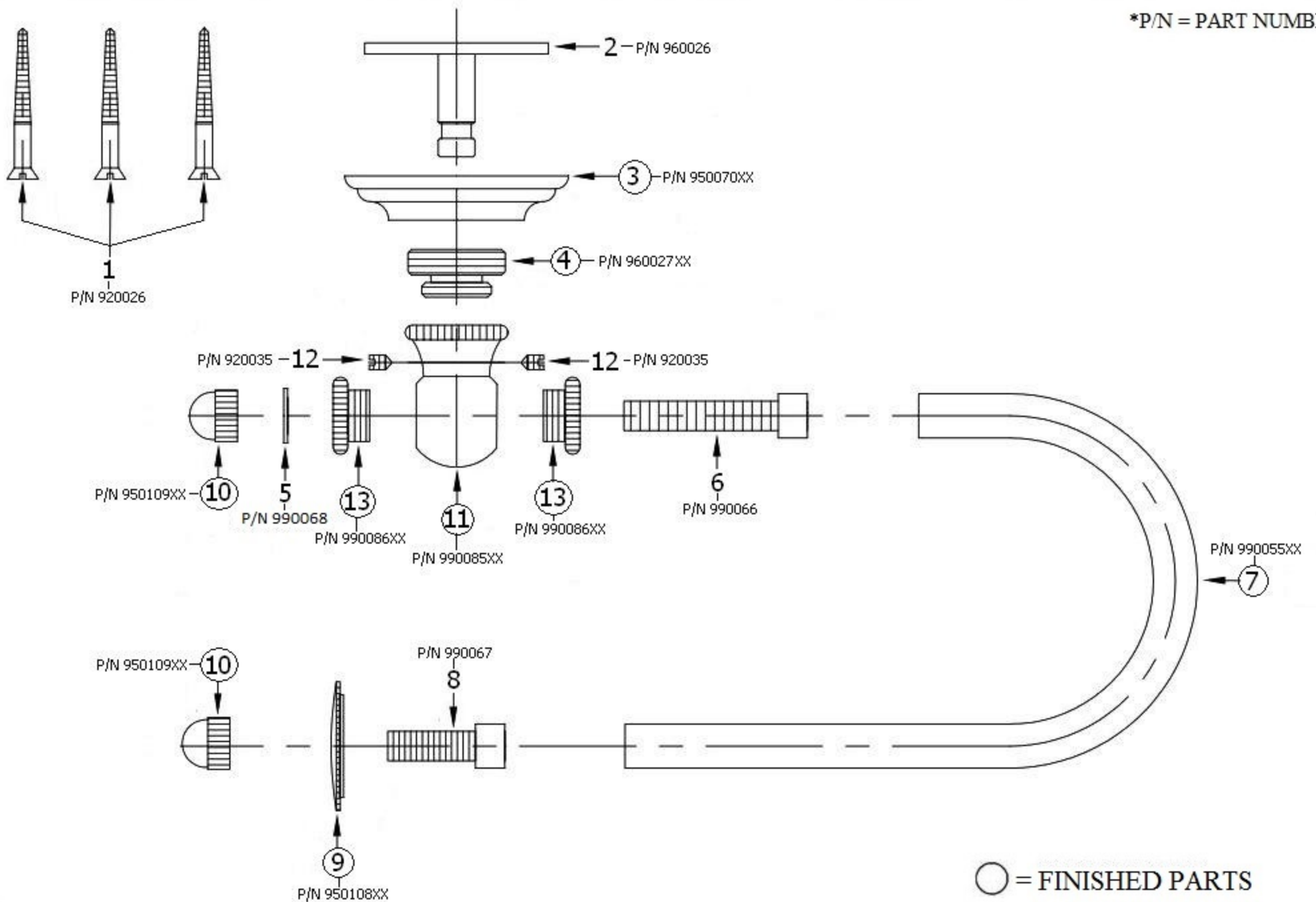
Herbeau[®]
L'Art du Sanitaire depuis 1857

3120 - 'Royale' Tissue Holder



3120 - 'Royale' Tissue Holder

*P/N = PART NUMBER



○ = FINISHED PARTS
 XX = TWO DIGIT FINISH CODE