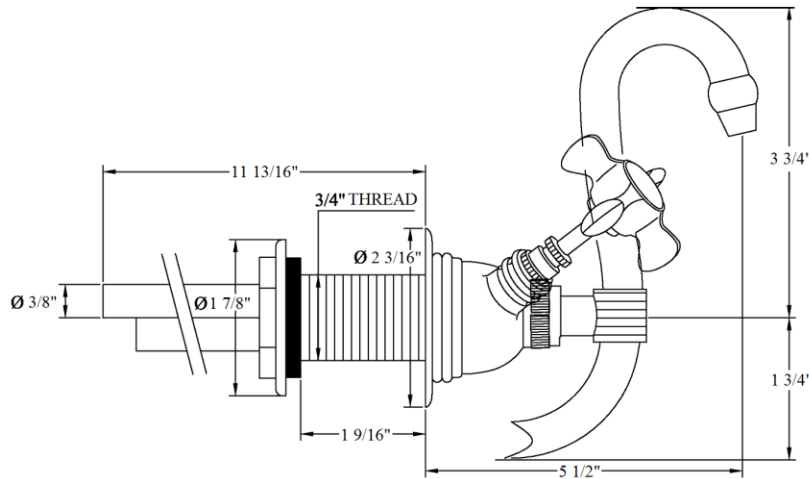


3055 – ‘Royale Verseuse’ Wall Mounted Mixer



Part #	Description
01	Hex Nut
02	Metal Ring & Rubber Washer
03	Aerator Cap
04	Threaded Stem
05	Escutcheon
06	Verseuse Spout - Ecobross
07	Washer
08	Verseuse Deck Mount Body
09	Cross Handle
10	Aerator
12	¼ Turn Ceramic Cartridge
13	Cross Handle Stem
14	Rubber O-Ring
15	Cartridge Cover
16	Brass Handle Screw
17	Herbeau Ceramic Insert
24	Flow Restrictor

Technical Information

- NSF / ANSI 61 & 372 / ASME A112.18.1 / CSA B125.1 / CEC AB1953 / WATERSENSE certified.
- Maximum flow rate is 1.2 GPM with low flow restrictor.
- 1 1/8" hole drilling.
- 3/8" tube connections.
- Cross handles.
- ¼ turn ceramic Flühs cartridges.
- Available finishes are French Weathered Brass (**47**), Polished Chrome (**48**), SoliBrass (**49**), Lacquered Matte Black Nickel (**50**), Old Gold (**52**), Old Silver (**53**), Polished Brass (**55**), Polished Nickel (**56**), Brushed Nickel (**57**), Satin Nickel (**60**), Antique Lacquered Copper (**67**), Antique Lacquered Brass (**68**), Weathered Brass (**70**), Lacquered Polished Black Nickel (**71**) and Lacquered Polished Copper (**80**).
- Please See Cleaning Instructions: <http://herbeau.com/CleaningAll.pdf> For Finish Care and Maintenance Information.



U.P. Code
NSF-61/9-G
ASME A112.18.1/CSA B125.1



Certified by
NSF International

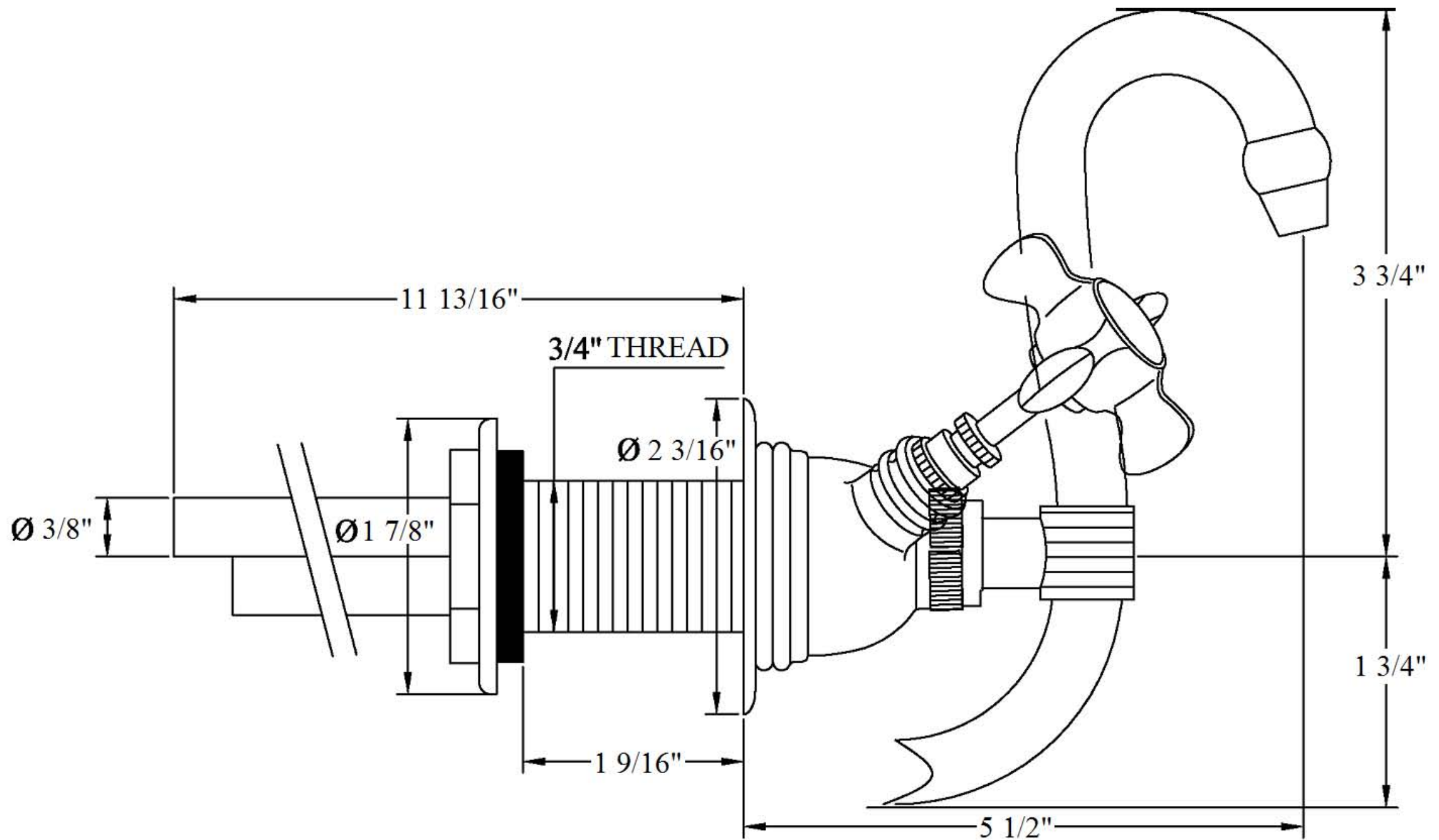
Please follow example when ordering parts for 'Verseuse' Mixer

- To order part#09 – Cross Handle
 - 950137xx
- Please substitute finish number needed in place of xx



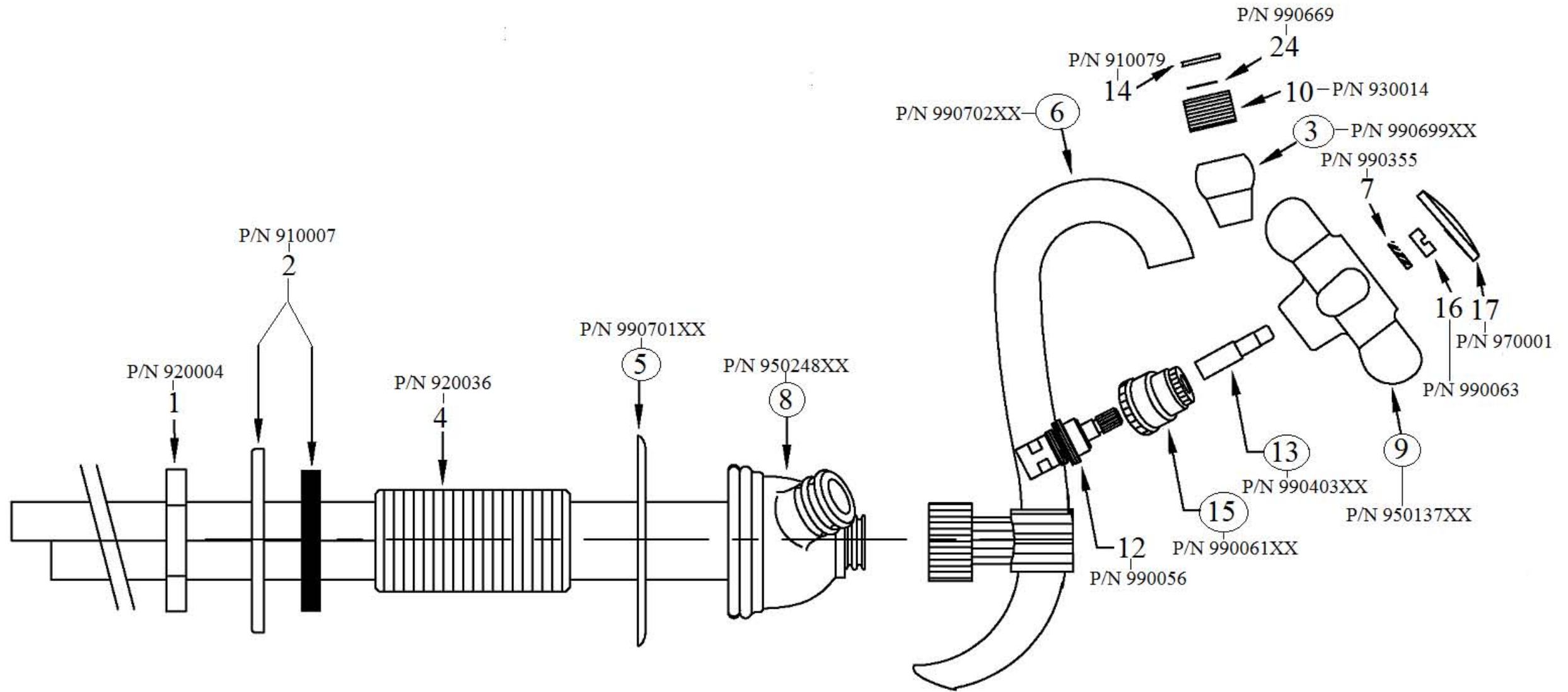
Herbeau[®]
L'Art du Sanitaire depuis 1857

3055 - 'Royale Verseuse' Wall Mounted Mixer



3055 - 'Royale Verseuse' Wall Mounted Mixer

*P/N = PART NUMBER



○ = FINISHED PARTS

XX = TWO DIGIT FINISH CODE