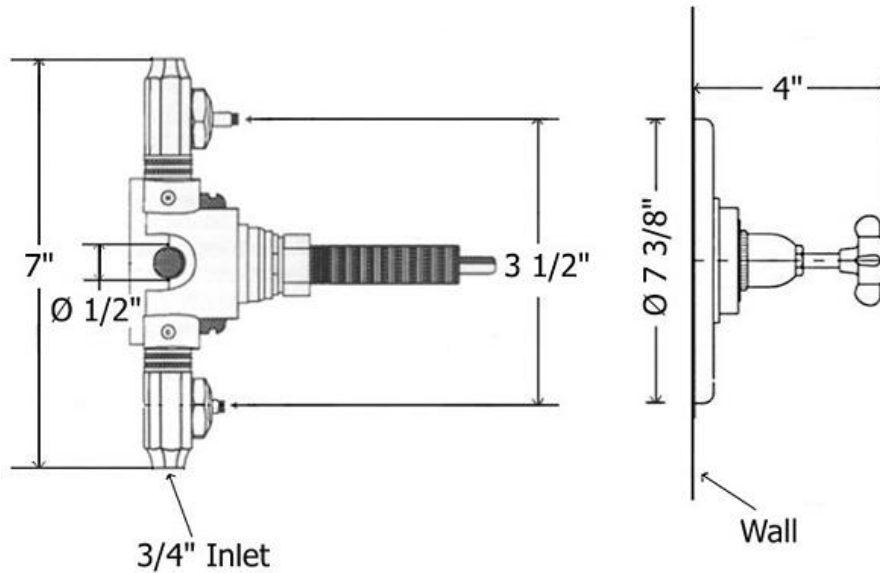


3039 – ‘Royale’ 1/2" Thermostatic Valve



Technical Information

- Two 3/4" female inlets.
- Two 1/2" female outlets.
- Controls temperature only.
- Available finishes are French Weathered Brass (**47**), Polished Chrome (**48**), SoliBrass (**49**), Lacquered Matte Black Nickel (**50**), Old Gold (**52**), Old Silver (**53**), Polished Brass (**55**), Polished Nickel (**56**), Brushed Nickel (**57**), Satin Nickel (**60**), Antique Lacquered Copper (**67**), Antique Lacquered Brass (**68**), Weathered Brass (**70**), Lacquered Polished Black Nickel (**71**) and Lacquered Polished Copper (**80**).
- Please See Cleaning Instructions: <http://herbeau.com/CleaningAll.pdf> For Finish Care and Maintenance Information.

Part#

Description

01	1/2" Thermostatic Cartridge
02	1/2" Thermostatic Hold Nut
03	Round Tube
04	Square Adapter
03+04	8" or 3" Extension Kit
05	Black Plastic Scold Stop Plate
06	Pointer Cap With or Without Trim
07	Cover Plate
08	Set Screw
11	Finished Dial Plate
12	Swivel Bushing
15	Bell Escutcheon & Stem
16	Cross Handle
17	Washer
18	Handle Screw
19	Finished Insert Holder
20	Black Logo Ceramic Insert
21	Rubber O-Ring
90	Royale Finished Ceramic Insert

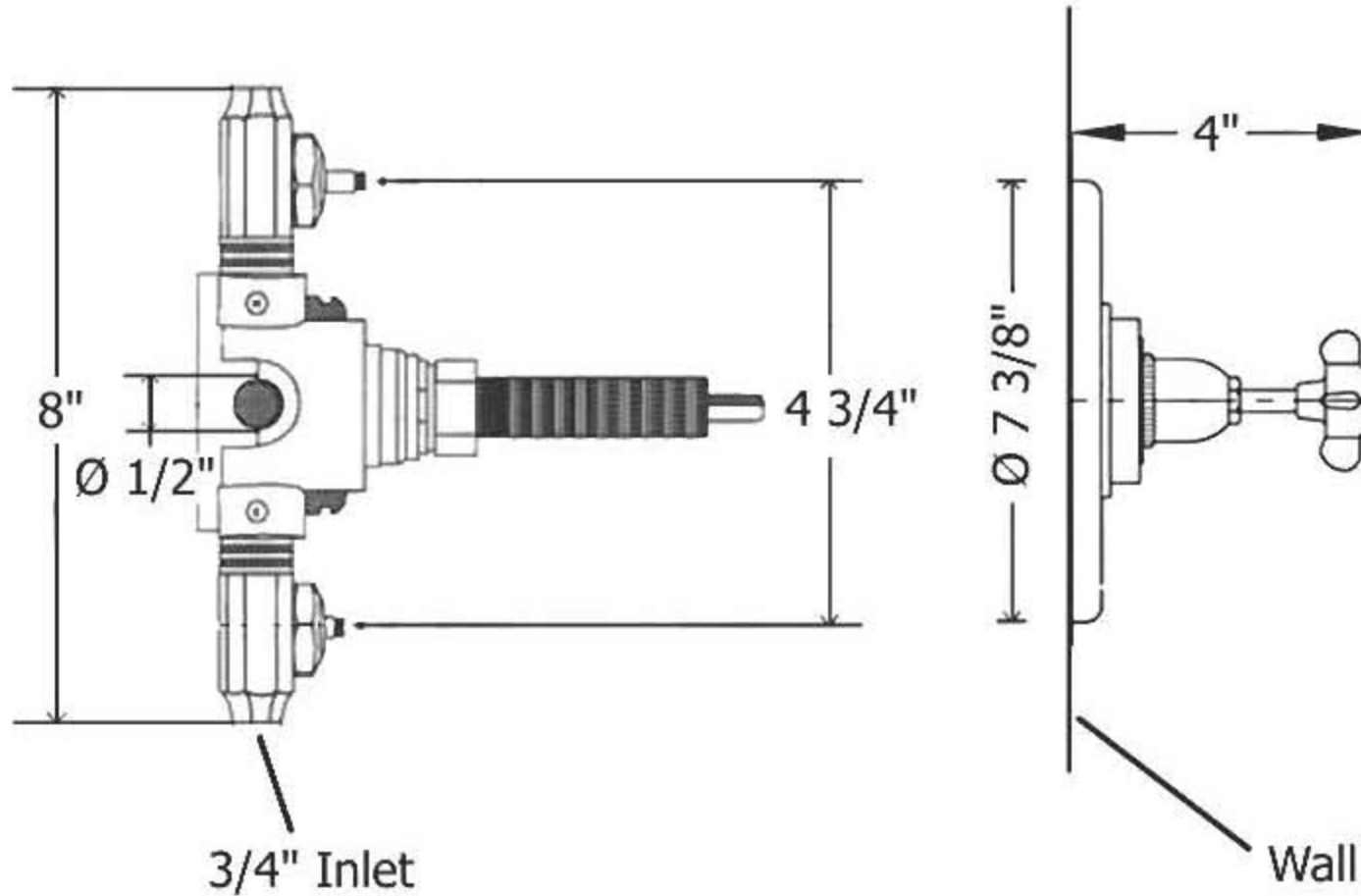
Please follow example when ordering parts for ‘Royale’ Thermostatic Valve

- To order part#11 – Finished Dial
 - 950169xx
- Please substitute finish number needed in place of **xx**



Herbeau[®]
L'Art du Sanitaire depuis 1857

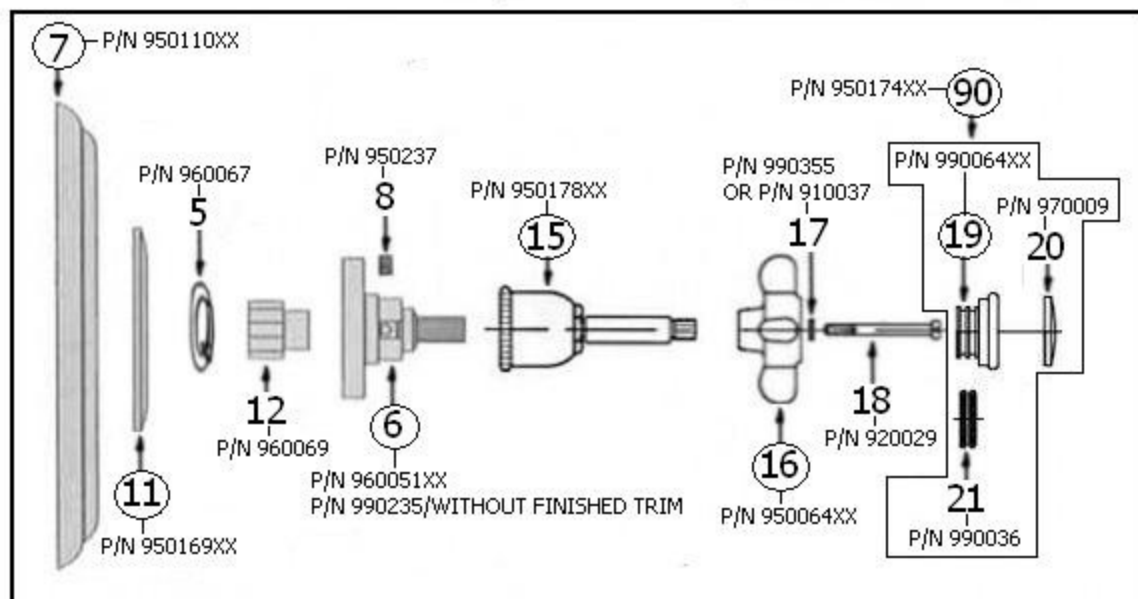
3039 - 'Royale' 1/2" Thermostatic Valve



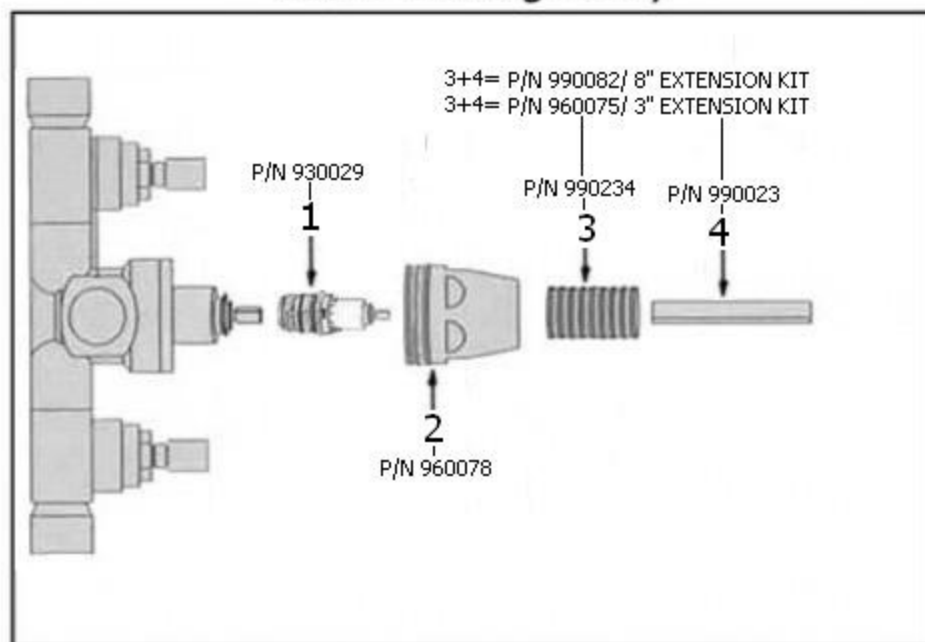
3039 - 'Royale' 1/2" Thermostatic Valve

*P/N = PART NUMBER

3039(Finish)-T Trim only



3039-R Rough only



○ = FINISHED PARTS
XX = TWO DIGIT FINISH CODE