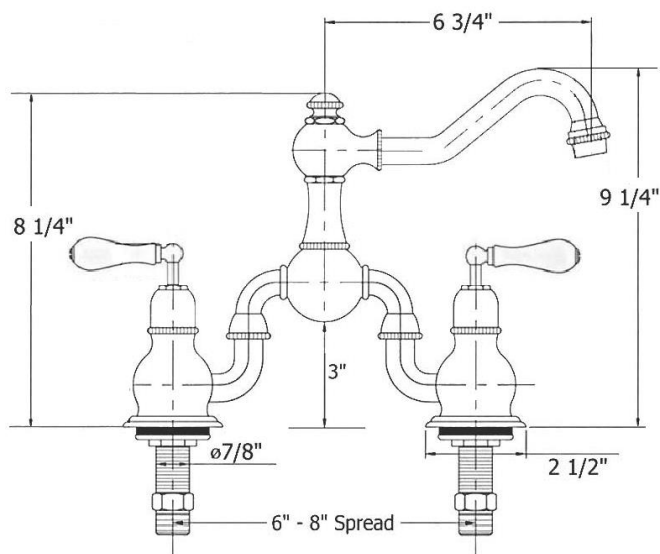


3003 - 'Royale' Two Hole Basin Mixer with Lever Handles



Hole Drilling = 1 1/4"

Technical Information

- NSF / ANSI 61 & 372 / ASME A112.18.1 / CSA B125.1 / CEC AB1953 / WATERSENSE certified.
- Requires 1 1/4" hole drilling.
- Center holes adjustable 6" – 8".
- Uses Flühs ceramic cartridges.
- Swiveling spout.
- Lever handles. Please specify "63" for wooden handles. Default is "20" porcelain handles.
- Extra cost for hand painted handles.
- 1/2" male connections.
- Maximum flow rate is 1.2 GPM / 5.45 L / mn with new low flow restrictor.
- Available finishes are French Weathered Brass (47), Polished Chrome (48), SoliBrass (49), Lacquered Matte Black Nickel (50), Old Gold (52), Old Silver (53), Polished Brass (55), Polished Nickel (56), Brushed Nickel (57), Satin Nickel (60), Antique Lacquered Copper (67), Antique Lacquered Brass (68), Weathered Brass (70), Lacquered Polished Black Nickel (71) and Lacquered Polished Copper (80).
- Please See Cleaning Instructions: <http://herbeau.com/CleaningAll.pdf> For Finish Care and Maintenance Information.

Part #	Description
01	Top Knob
02	Finished Washer
03	Spout 6 3/4" – Ecobross
04	Flat Rubber Washer
05	Spout O-Ring
06	Body – Ecobross
07	Bridge Union
08	Aerator Washer
09	Aerator Filter
10	Aerator Cover
11	Handle Escutcheon
12	Vertical Handle Screw
13	Handle Screw
14	Finished Metal Washer
15	Finished Wood/White Ceramic Handle
16	Handle Stem
17	Bell Escutcheon
18	Finished Ball For Lever
19	1/2" Washer
20	Valve Body & Elbow – Ecobross
21	Escutcheon
22	Valve Thread – Ecobross
23	Sealing Screw
24	Metal Ring & Rubber Washer
25	Counter Nut
26	1/2" Washer
27	1/2" Adapter – Ecobross
85	1/4 Turn Ceramic Cartridge/H/C



C US

U.P. Code
NSF-61/9-G
ASME A112.18.1/CSA B125.1



Certified by
NSF International

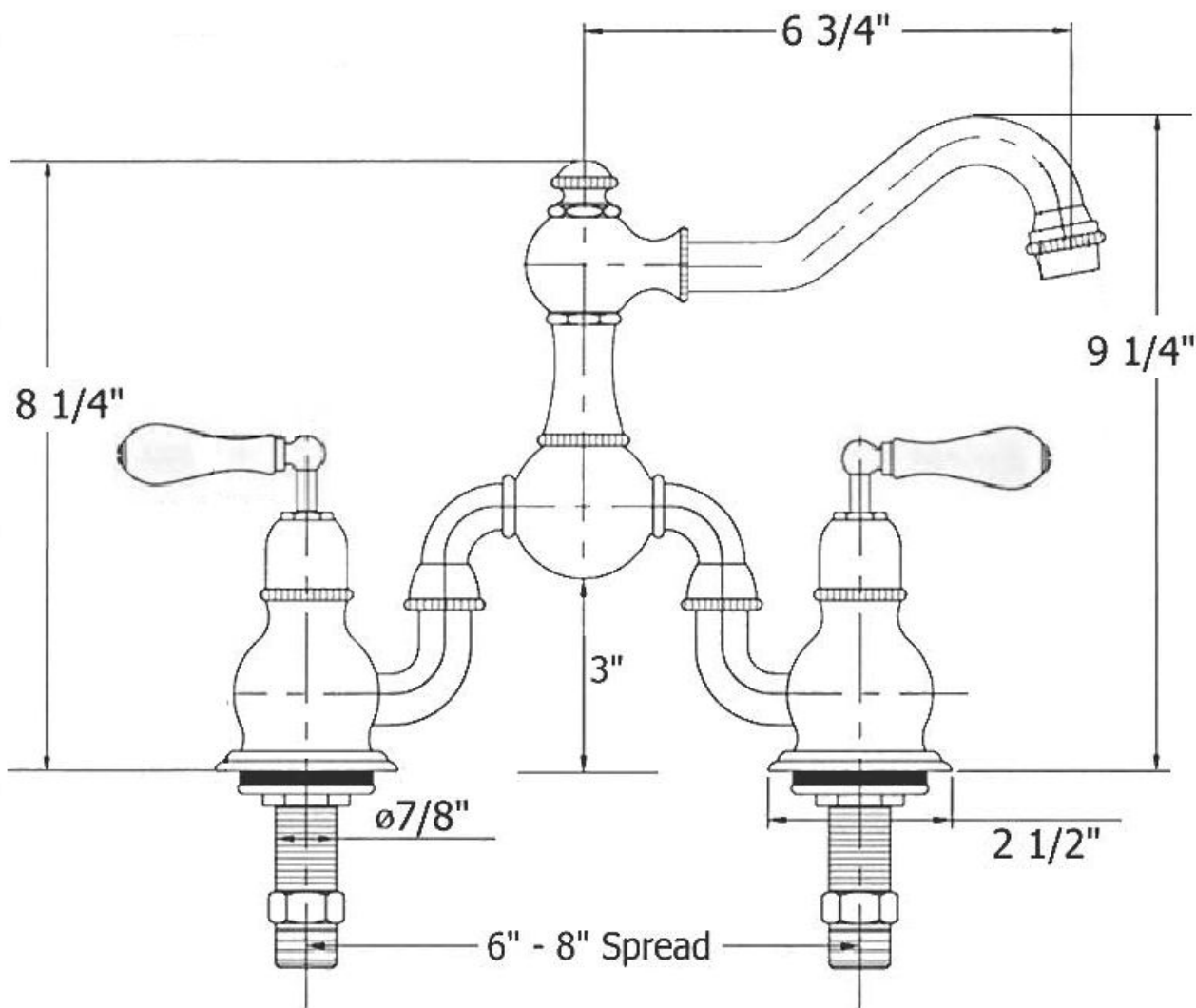
Please follow example when ordering parts for 'Royale' Mixer

- To order part #12 – Vertical Handle Screw
 - 920040xx
- Please substitute finish number needed in place of xx



Herbeau®
L'Art du Sanitaire depuis 1857

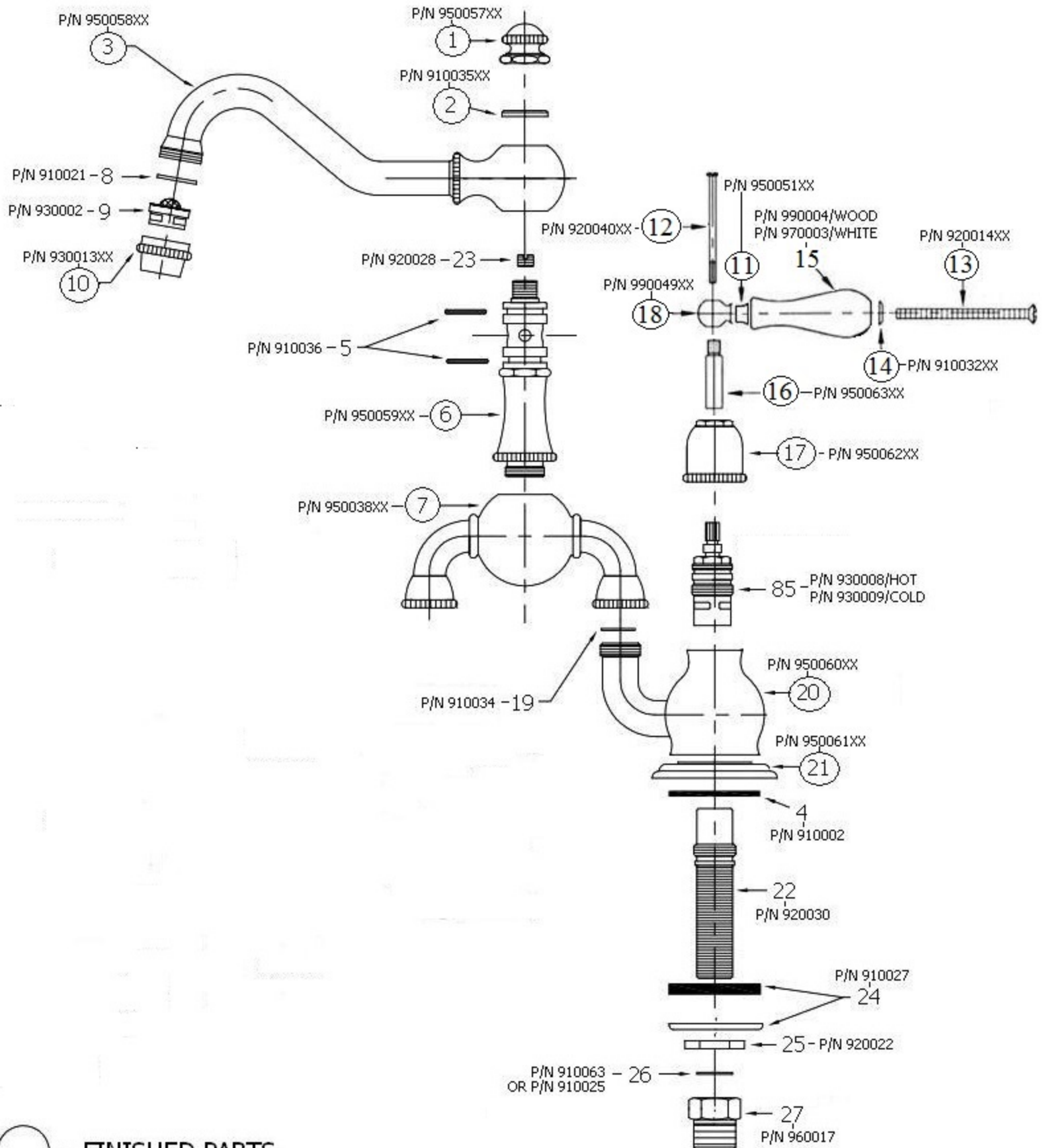
3003 - 'Royale' Two Hole Basin Mixer with Lever Handles



Hole Drilling = $1 \frac{1}{4}''$

3003 - 'Royale' Two Hole Basin Mixer with Lever Handles

*P/N = PART NUMBER



○ = FINISHED PARTS

XX = TWO DIGIT FINISH CODE