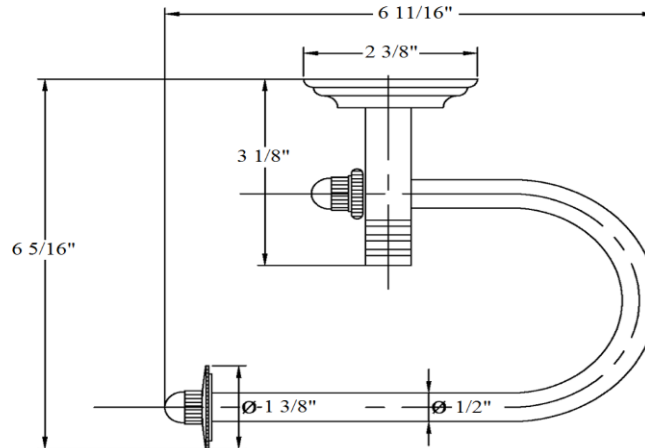
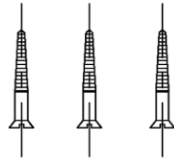


2920 – ‘Lille’ Tissue Holder



Technical Information

- Available finishes are French Weathered Brass (47), Polished Chrome (48), SoliBrass (49), Lacquered Matte Black Nickel (50), Old Gold (52), Old Silver (53), Polished Brass (55), Polished Nickel (56), Brushed Nickel (57), Satin Nickel (60), Antique Lacquered Copper (67), Antique Lacquered Brass (68), Weathered Brass (70), Lacquered Polished Black Nickel (71) and Lacquered Polished Copper (80).
- Please See Cleaning Instructions: <http://herbeau.com/CleaningAll.pdf> For Finish Care and Maintenance Information.

Part#

01
02
03
04
06
07
08
09
10
11

Description

Mounting Screw Kit
Mounting Plate
Escutcheon
Support
Long Threaded Stem
Finished Paper Holder
Short Threaded Stem
Sleeve
End Cap
Set Screw

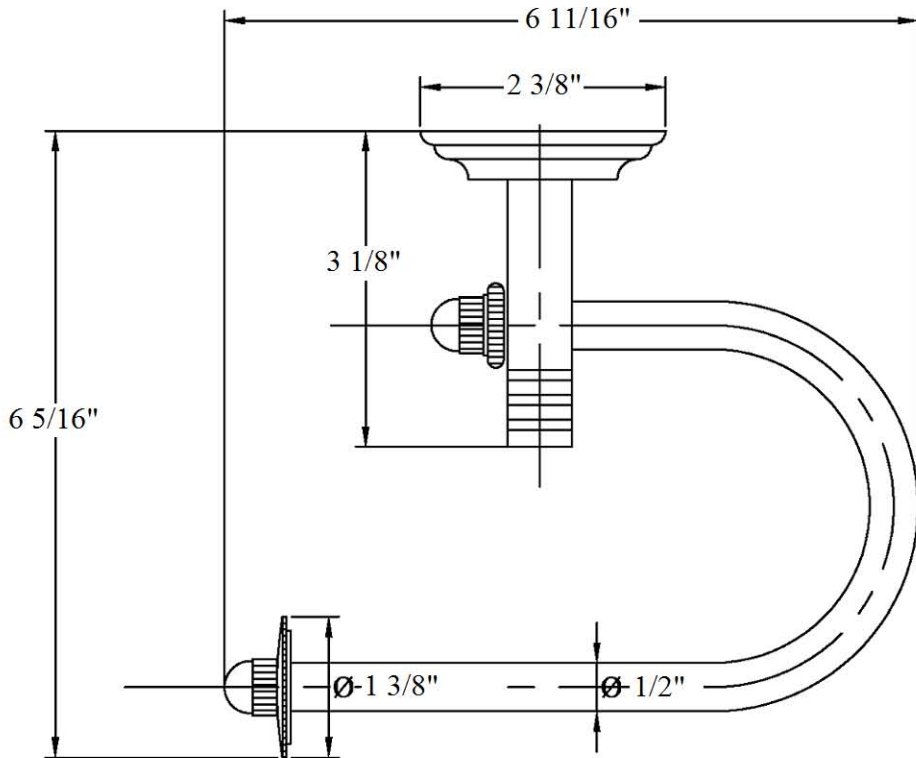
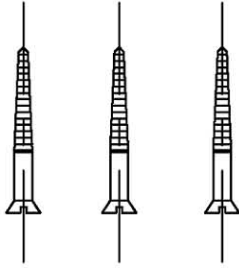
Please follow example when ordering parts for ‘Lille’ Tissue Holder

- To order part#03 – Escutcheon
 - 950070xx
- Please substitute finish number needed in place of xx



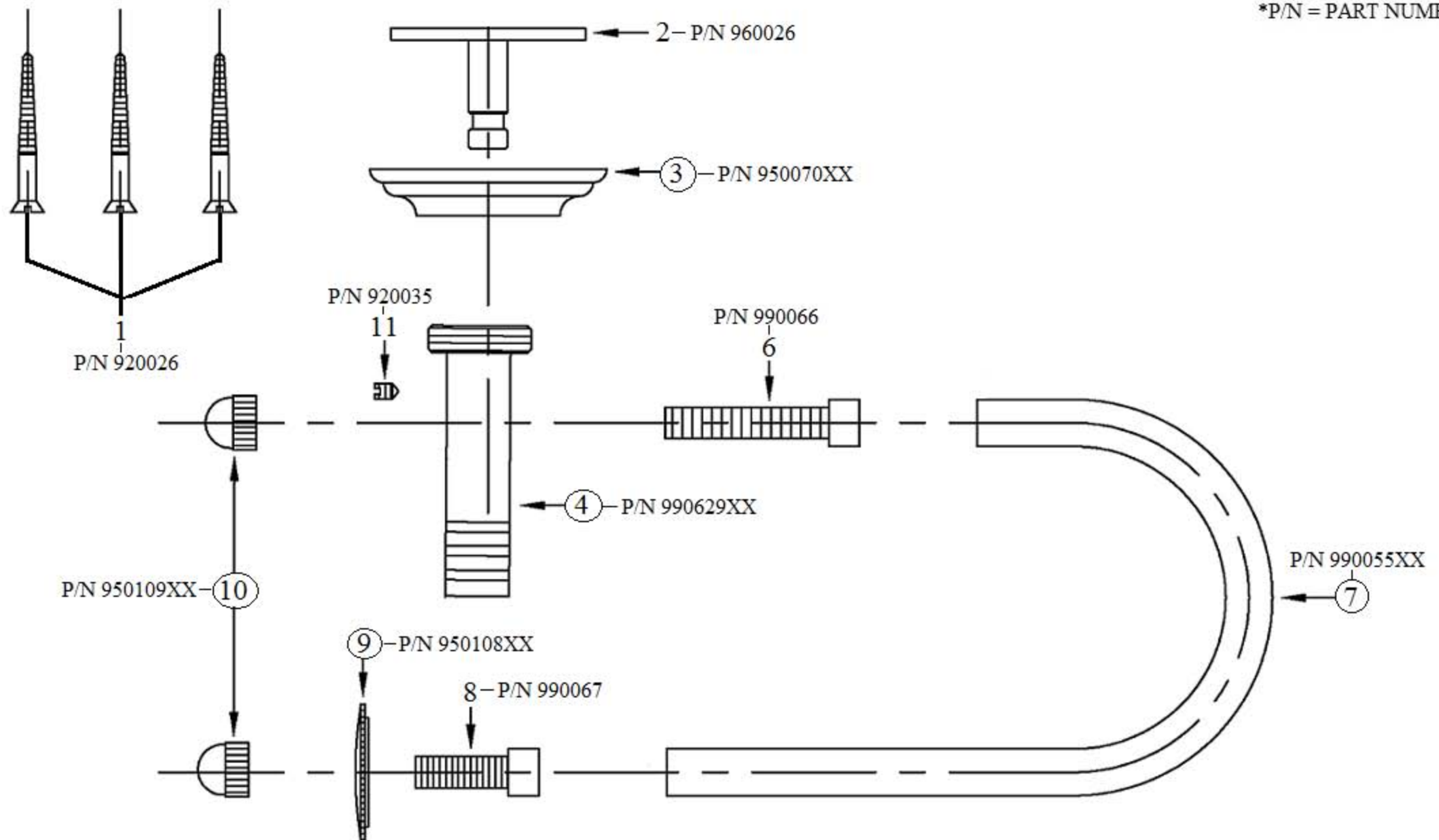
Herbeau[®]
L'Art du Sanitaire depuis 1857

2920 - 'Lille' Tissue Holder



2920 - 'Lille' Tissue Holder

*P/N = PART NUMBER



○ = FINISHED PARTS

XX = TWO DIGIT FINISH CODE