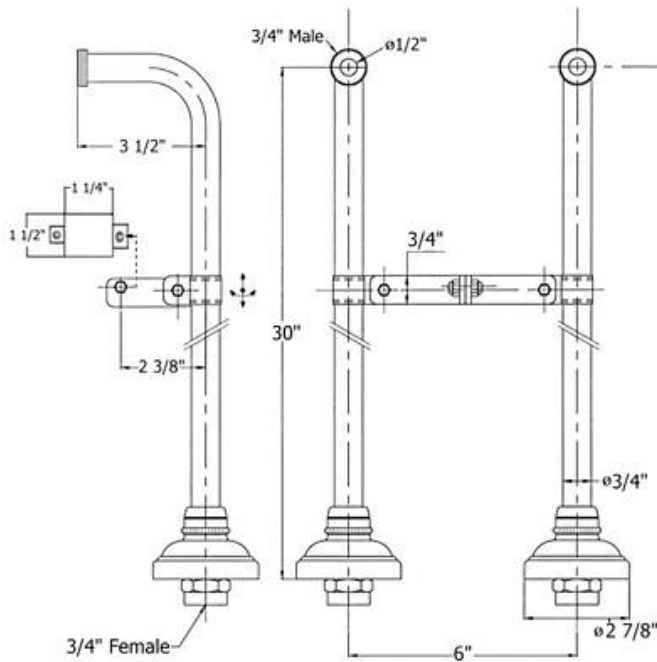


# 2901 – ‘Pompadour’ Free Standing Adduction Pipes



Part #	Description
01	Brass Adduction Pipes
02	Finished Brass Nut
03	Bracket
04	Escutcheon
05	Adapters & Compression Ring
06	T-Bracket Tongue
07	1 1/4" Universal Bracket
08	3/4" Washer
09	Rubber O-Ring
10	T-Bracket Assembly
11	Finished Nut
12	Finished Threaded Stem

## Technical Information

- 3/4" female floor connection.
- Includes T-bracket and 1 1/4" universal bracket to stabilize adduction pipes.
- Herbeau prefers this item to be ordered together with Item #2236 if drain from another manufacturer is used.
- Available finishes are French Weathered Brass (47), Polished Chrome (48), SoliBrass (49), Lacquered Matte Black Nickel (50), Old Gold (52), Old Silver (53), Polished Brass (55), Polished Nickel (56), Brushed Nickel (57), Satin Nickel (60), Antique Lacquered Copper (67), Antique Lacquered Brass (68), Weathered Brass (70), Lacquered Polished Black Nickel (71) and Lacquered Polished Copper (80).
- Please See Cleaning Instructions: <http://herbeau.com/CleaningAll.pdf> For Finish Care and Maintenance Information.

Please follow example when ordering parts for ‘Pompadour’ Add. Pipes

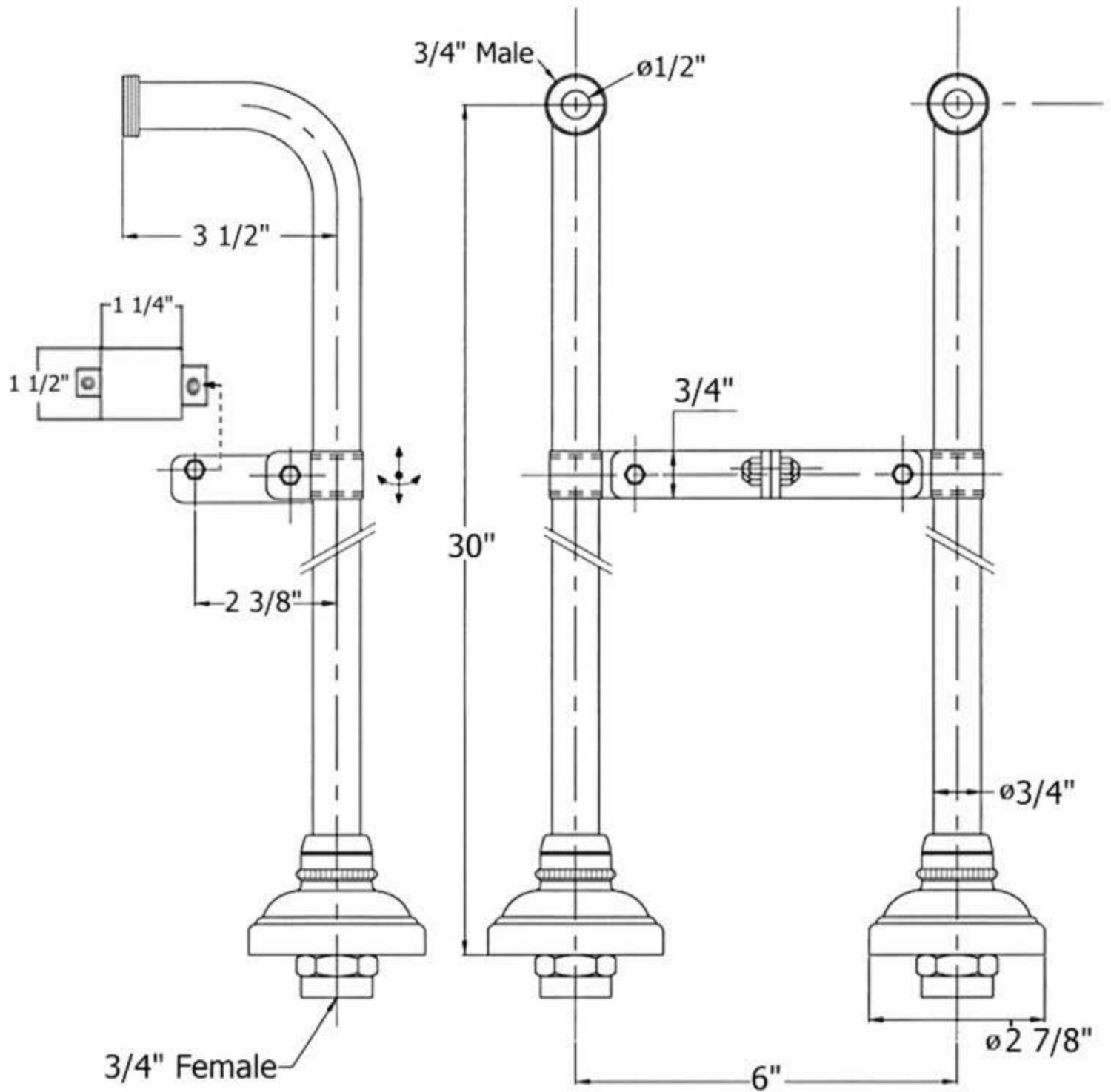
- To order part#01 – Brass Adduction Pipes
  - 950260xx
- Please substitute finish number needed in place of **XX**



**Herbeau**<sup>®</sup>  
L'Art du Sanitaire depuis 1857

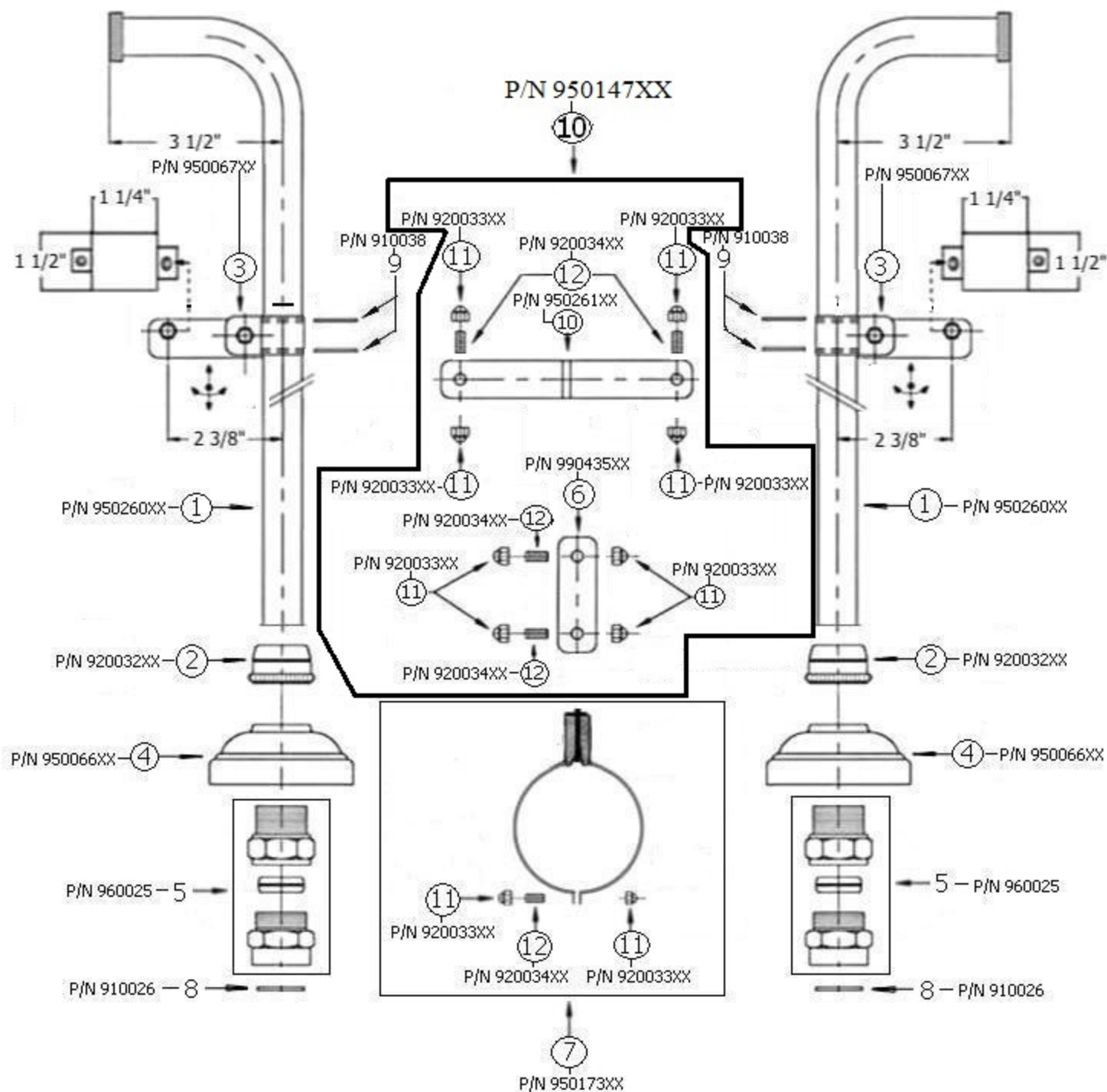
# 2901 - 'Pompadour' Free Standing Adduction Pipes

1 1/4" I.D. Universal Bracket



# 2901 - 'Pompadour' Free Standing Adduction Pipes

\*P/N = PART NUMBER



○ = FINISHED PARTS  
 XX = TWO DIGIT FINISH CODE