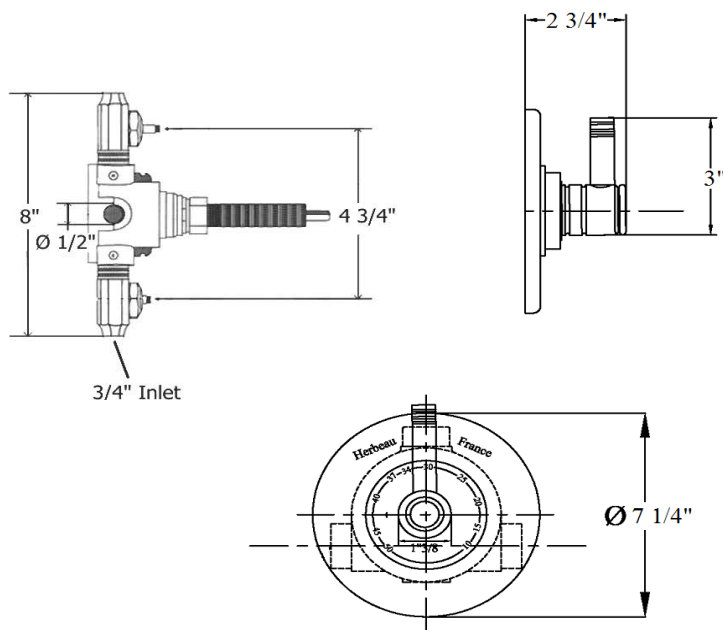


2839 – ‘Lille’ 1/2" Thermostatic Valve & Trim



Technical Information

- Two 3/4" female inlets.
- Two 1/2" female outlets.
- Controls temperature only.
- Available finishes are French Weathered Brass (47), Polished Chrome (48), SoliBrass (49), Lacquered Matte Black Nickel (50), Old Gold (52), Old Silver (53), Polished Brass (55), Polished Nickel (56), Brushed Nickel (57), Satin Nickel (60), Antique Lacquered Copper (67), Antique Lacquered Brass (68), Weathered Brass (70), Lacquered Polished Black Nickel (71) and Lacquered Polished Copper (80).
- Please See Cleaning Instructions: <http://herbeau.com/CleaningAll.pdf> For Finish Care and Maintenance Information.

Part#

Description

Part#	Description
	<u>TRIM</u>
01	Swivel Bushing
02	Finished Dial Plate
03	Finished Cover Plate
04	Black Plastic Scold Stop Plate
05	Trim & Pointer Cap
06	Pointer Cap
07	Spline Adapter
08	Threaded Stem
09	Small Lille Handle
10	Lille Handle Base
	<u>ROUGH</u>
01	1/2" Thermostatic Cartridge
02	1/2" Therm Valve Hold Nut
03	Round Tube
04	Square Adapter
03+04	3" Extension Kit or 8" Extension Kit

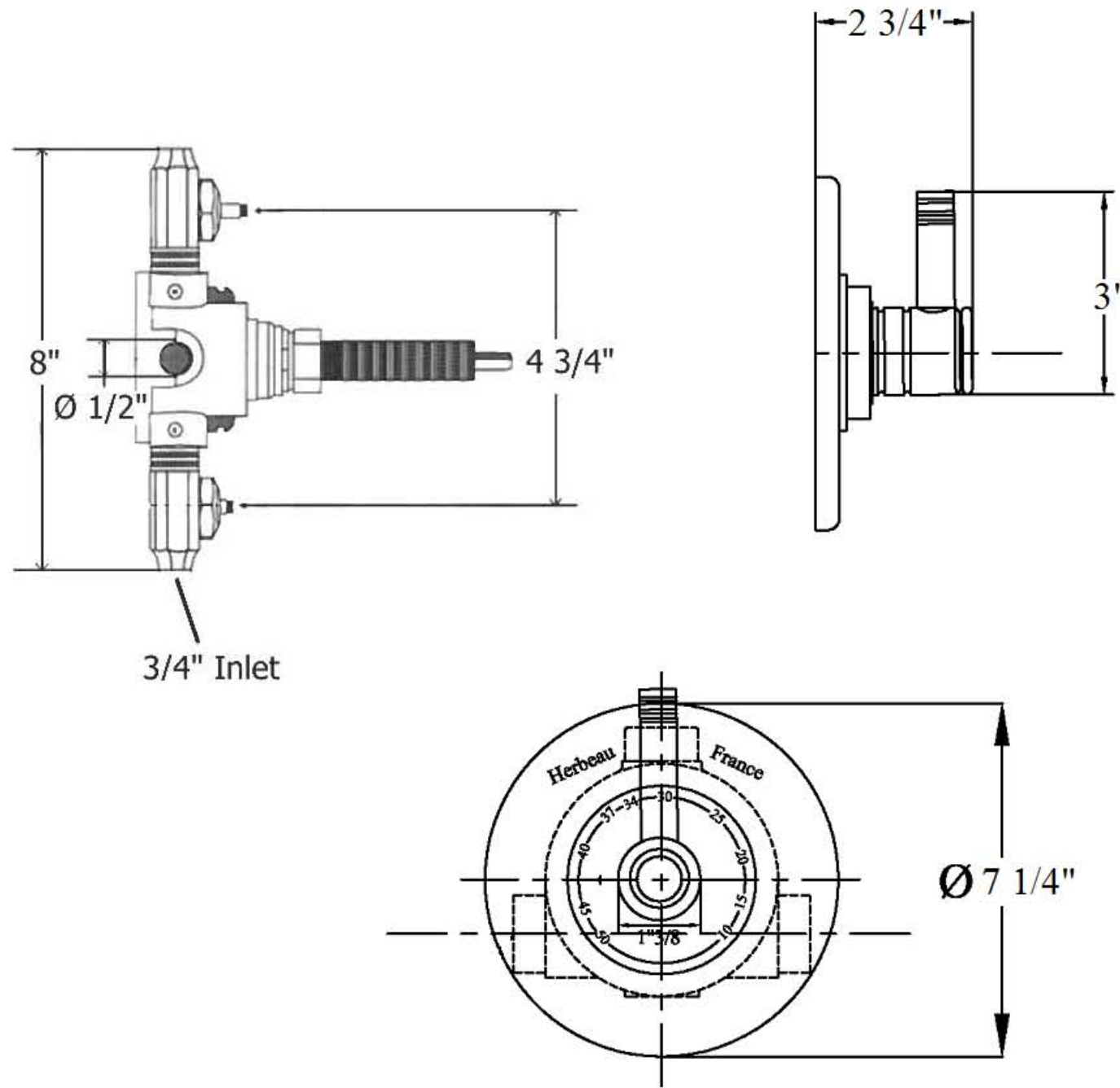
Please follow example when ordering parts for ‘Lille’ Thermostatic Valve

- To order part#02 – Finished Dial
 - 950169xx
- Please substitute finish number needed in place of XX



Herbeau[®]
L'Art du Sanitaire depuis 1857

2839 - 'Lille" 1/2" Thermostatic Valve & Trim

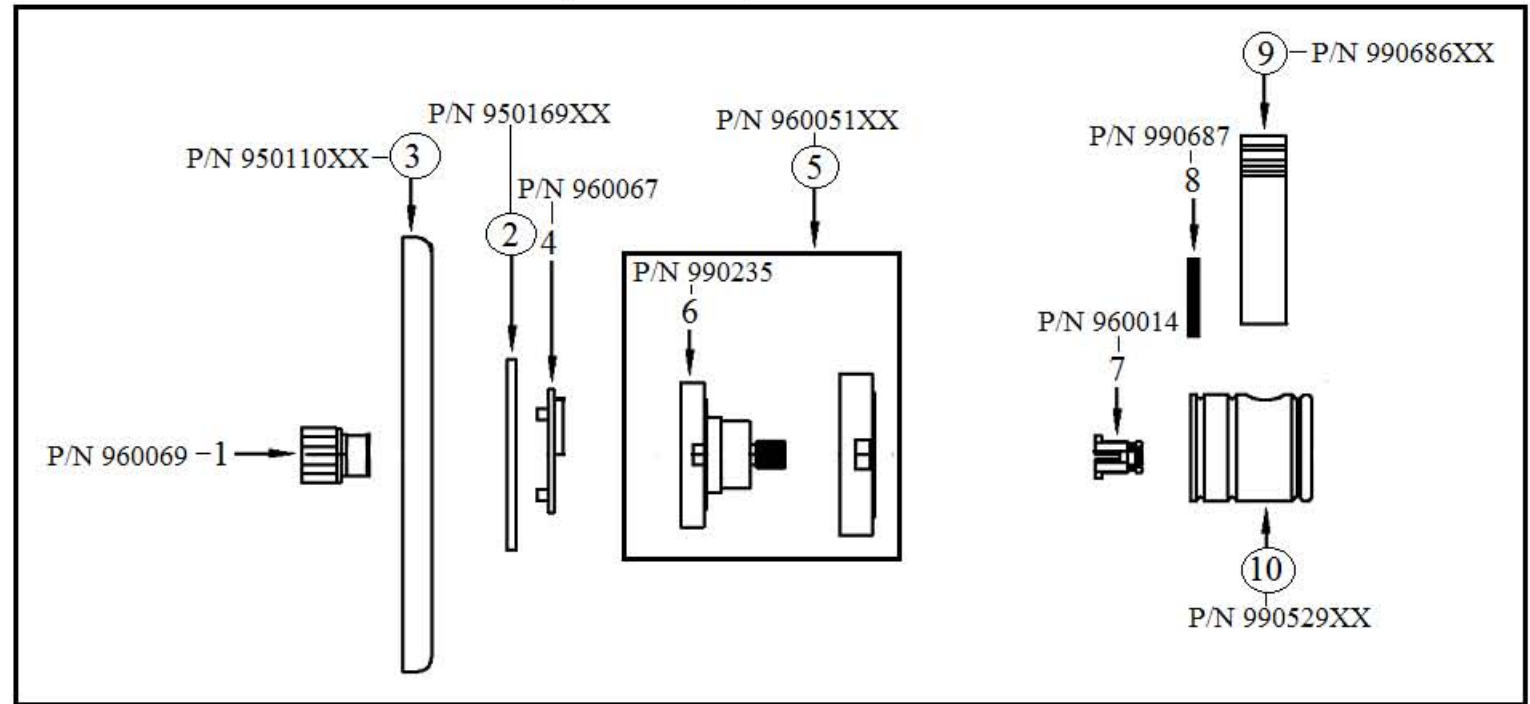
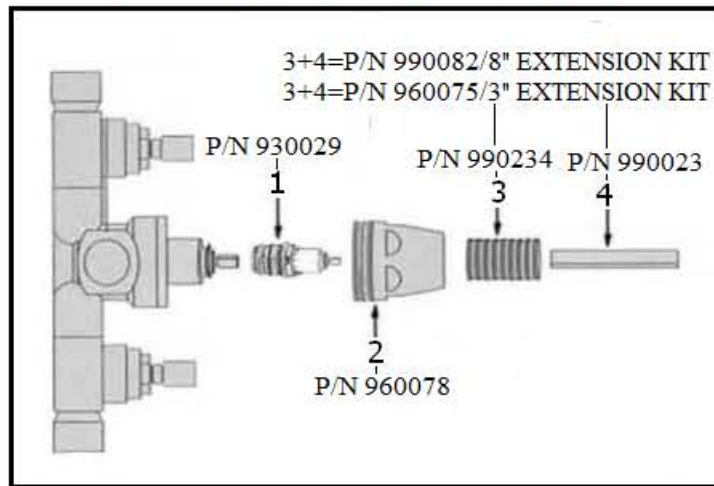


2839 - 'Lille' 1/2" Thermostatic Valve & Trim

*P/N = PART NUMBER

2839(FINISH)-T TRIM ONLY

2839-R ROUGH ONLY



○ = FINISHED PARTS

XX = TWO DIGIT FINISH CODE