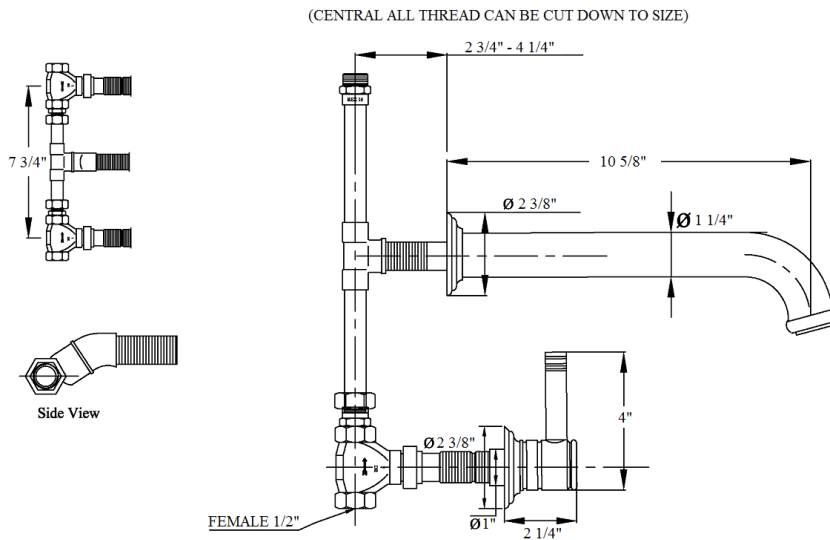


2808 - 'Lille' 3 Hole Wall Mount Lavatory Mixer for Bonne Maman



Technical Information

- NSF / ANSI 61 & 372 / ASME A112.18.1 / CSA B125.1 / CEC AB1953 / WATERSENSE certified.
- New style metal handles.
- 7 3/4" spread C.T.C.
- Uses Flühs ceramic cartridges.
- Maximum flow rate is 1.2 GPM / 5.45 L / mn with new low flow restrictor.
- Available finishes are French Weathered Brass (**47**), Polished Chrome (**48**), SoliBrass (**49**), Lacquered Matte Black Nickel (**50**), Old Gold (**52**), Old Silver (**53**), Polished Brass (**55**), Polished Nickel (**56**), Brushed Nickel (**57**), Satin Nickel (**60**), Antique Lacquered Copper (**67**), Antique Lacquered Brass (**68**), Weathered Brass (**70**), Lacquered Polished Black Nickel (**71**) and Lacquered Polished Copper (**80**).
- Please See Cleaning Instructions: <http://herbeau.com/CleaningAll.pdf> For Finish Care and Maintenance Information.

Part #	Description
01	Melang Lille Wall Mount Spout
02	Escutcheon
03	Spout Washer
04	Aerator Filter
05	Aerator Cover
06	Wall Escutcheon
07	Flat Rubber Washer
08	Copper T-Rough - Ecobross
09	1/2 Turn Cartridge Housing - Ecobross
10	1/2" Brass Adapter - Ecobross
11	1/4 Turn Ceramic Ecobross Cartridge - Right
12	1/4 Turn Ceramic Ecobross Cartridge - Left
13	Brass Hexagon Tube
14	Brass Extension
15	Adapter - Ecobross 3/4
16	Rubber O-Ring
17	Inner Trim Housing
18	Spline Adapter
19	Threaded Stem
20	Lille Metal Handle
21	Lille Handle Base
22	Adapter MF 1/2" - 3/8"
23	Male To Male Adapter - Ecobross
24	1/2" Rubber Washer



U.P. Code
NSF-61/9-G
ASME A112.18.1/CSA B125.1



Certified by
NSF International

Please follow example when ordering parts for 'Lille' 3 Hole Mixer

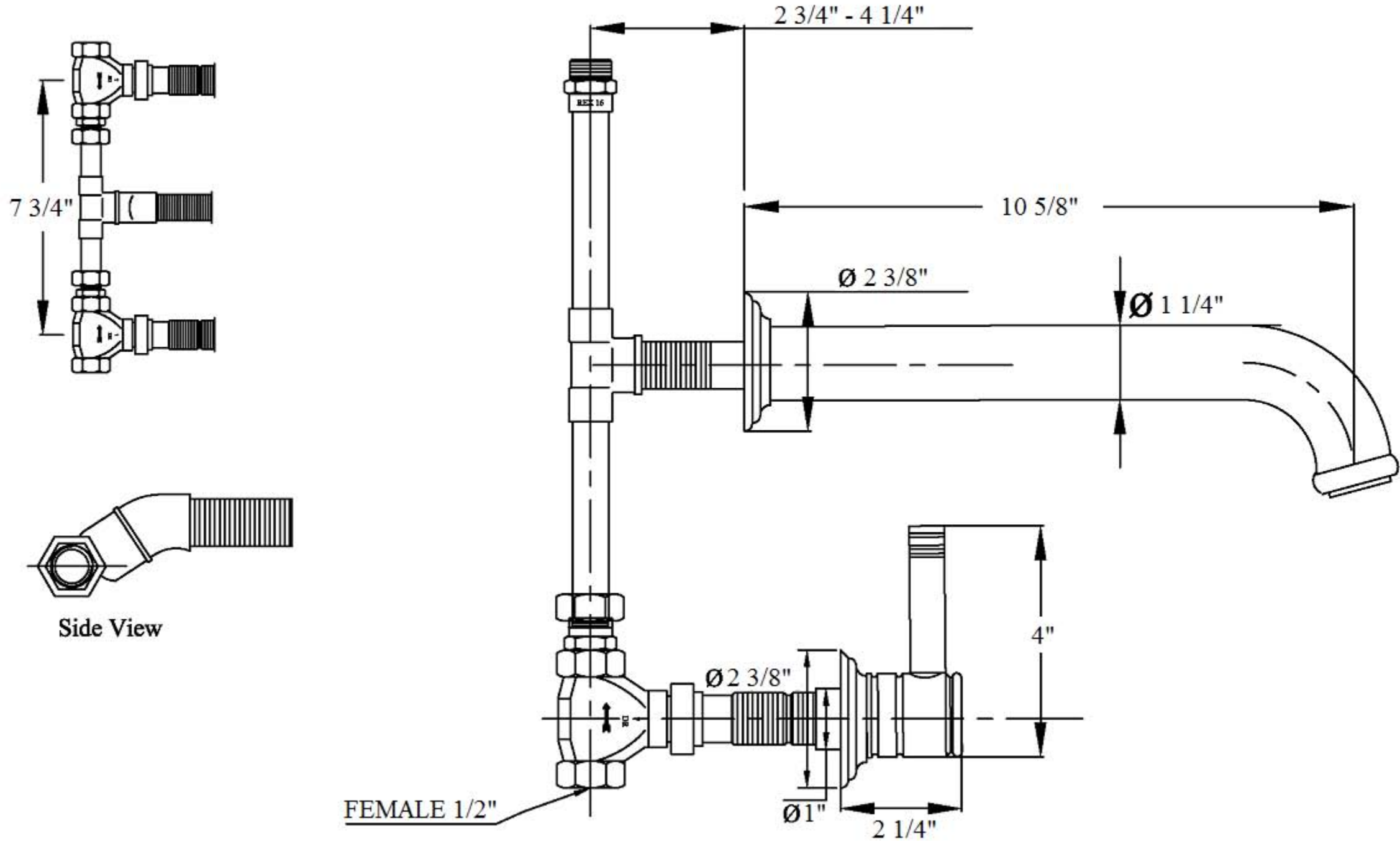
- To order part#20 – Lille Metal Handle
 - 950006xx
- Please substitute finish number needed in place of xx



Herbeau[®]
L'Art du Sanitaire depuis 1857

2808 - 'Lille' 3 Hole Wall Mount Lavatory Mixer For Bonne Maman

(CENTRAL ALL THREAD CAN BE CUT DOWN TO SIZE)



2808 - 'Lille' 3 Hole Wall Mount Lavatory Mixer For Bonne Maman

*P/N = PART NUMBER

