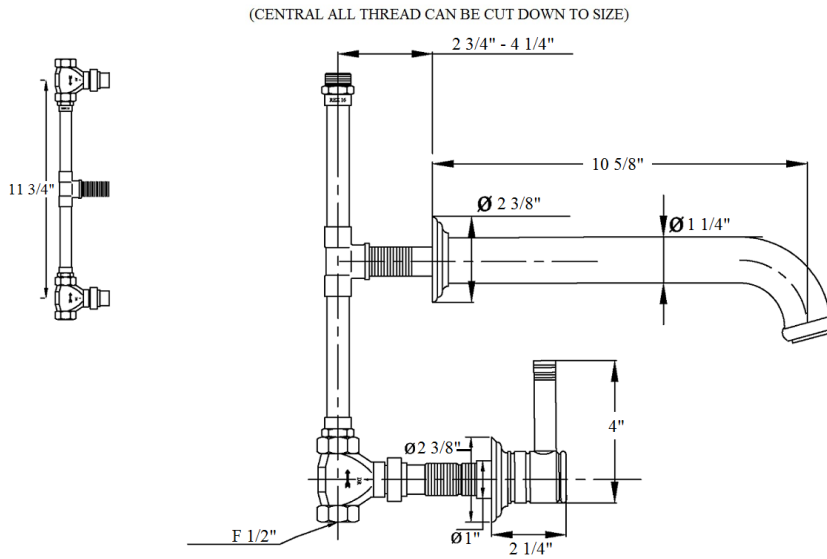


2807 - 'Lille' 3 Hole Wall Mount Lavatory Mixer



Part #	Description
01	Melang 'Lille' Wall Mount Spout
02	Escutcheon
03	Spout Washer
04	Aerator Filter
05	Aerator Cover
06	Wall Escutcheon
07	Flat Rubber Washer
08	Lille Copper T-Rough
09	1/2 Turn Cartridge Housing - Ecobross
10	1/2" Brass Adapter - Ecobross
11	1/4 Turn Ceramic Ecobross Cartridge - Right
12	1/4 Turn Ceramic Ecobross Cartridge - Left
13	Brass Hexagon Tube
14	Brass Extension
16	Rubber O-Ring
17	Inner Trim Housing
18	Spline Adapter
19	Threaded Stem
20	Lille Metal Handle
21	Lille Handle Base

Technical Information

- NSF / ANSI 61 & 372 / ASME A112.18.1 / CSA B125.1 / CEC AB1953 / WATERSENSE certified.
- New style metal handles.
- 11 3/4" spread C.T.C.
- Uses Flühs ceramic cartridges.
- Maximum flow rate is 1.2 GPM / 5.45 L / mn with new low flow restrictor.
- Available finishes are French Weathered Brass (47), Polished Chrome (48), SoliBrass (49), Lacquered Matte Black Nickel (50), Old Gold (52), Old Silver (53), Polished Brass (55), Polished Nickel (56), Brushed Nickel (57), Satin Nickel (60), Antique Lacquered Copper (67), Antique Lacquered Brass (68), Weathered Brass (70), Lacquered Polished Black Nickel (71) and Lacquered Polished Copper (80).
- Please See Cleaning Instructions: <http://herbeau.com/CleaningAll.pdf> For Finish Care and Maintenance Information.



Please follow example when ordering parts for 'Lille' 3 Hole Mixer

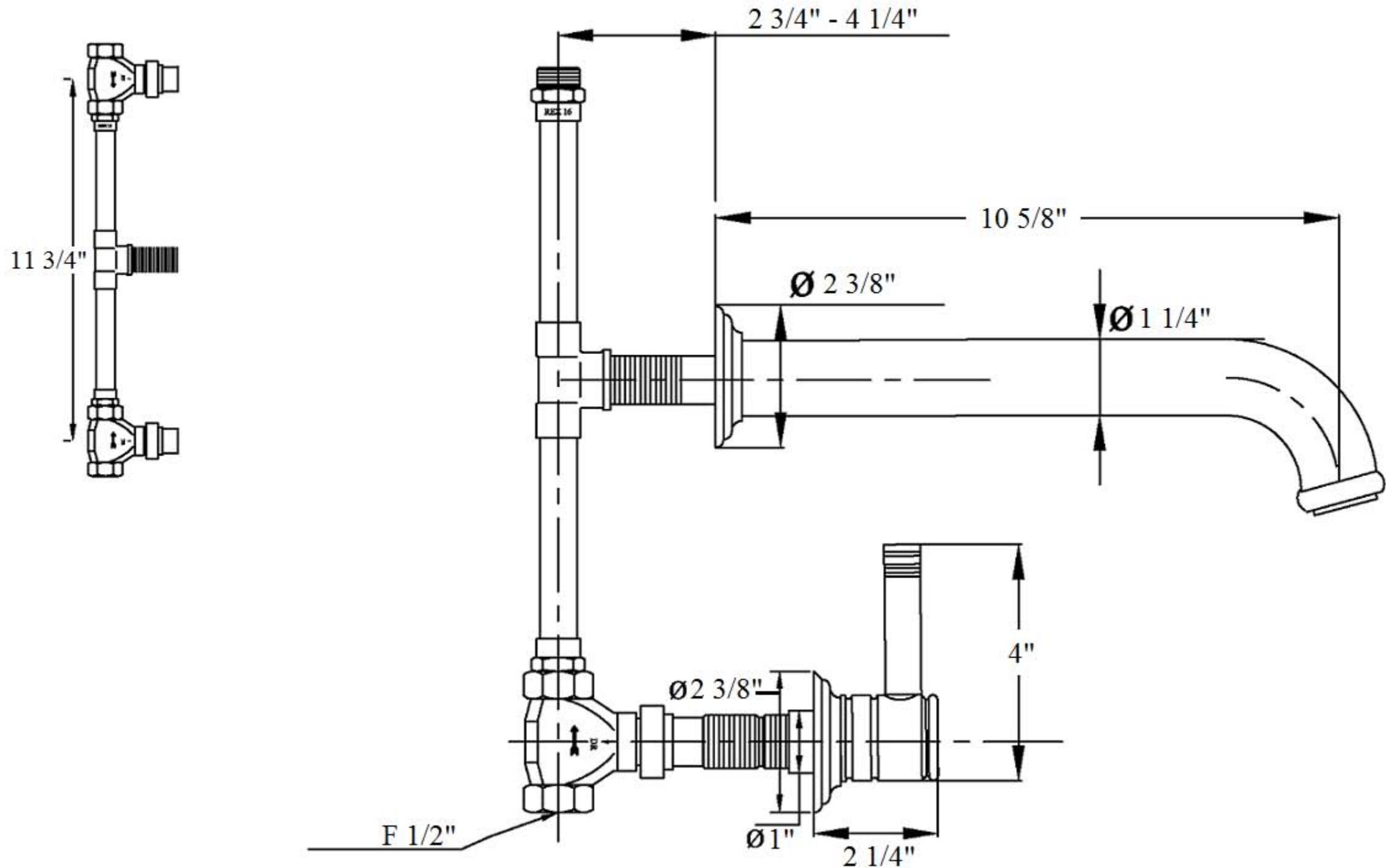
- To order part#20 – Lille Metal Handle
 - 950006**xx**
- Please substitute finish number needed in place of **xx**



Herbeau®
L'Art du Sanitaire depuis 1857

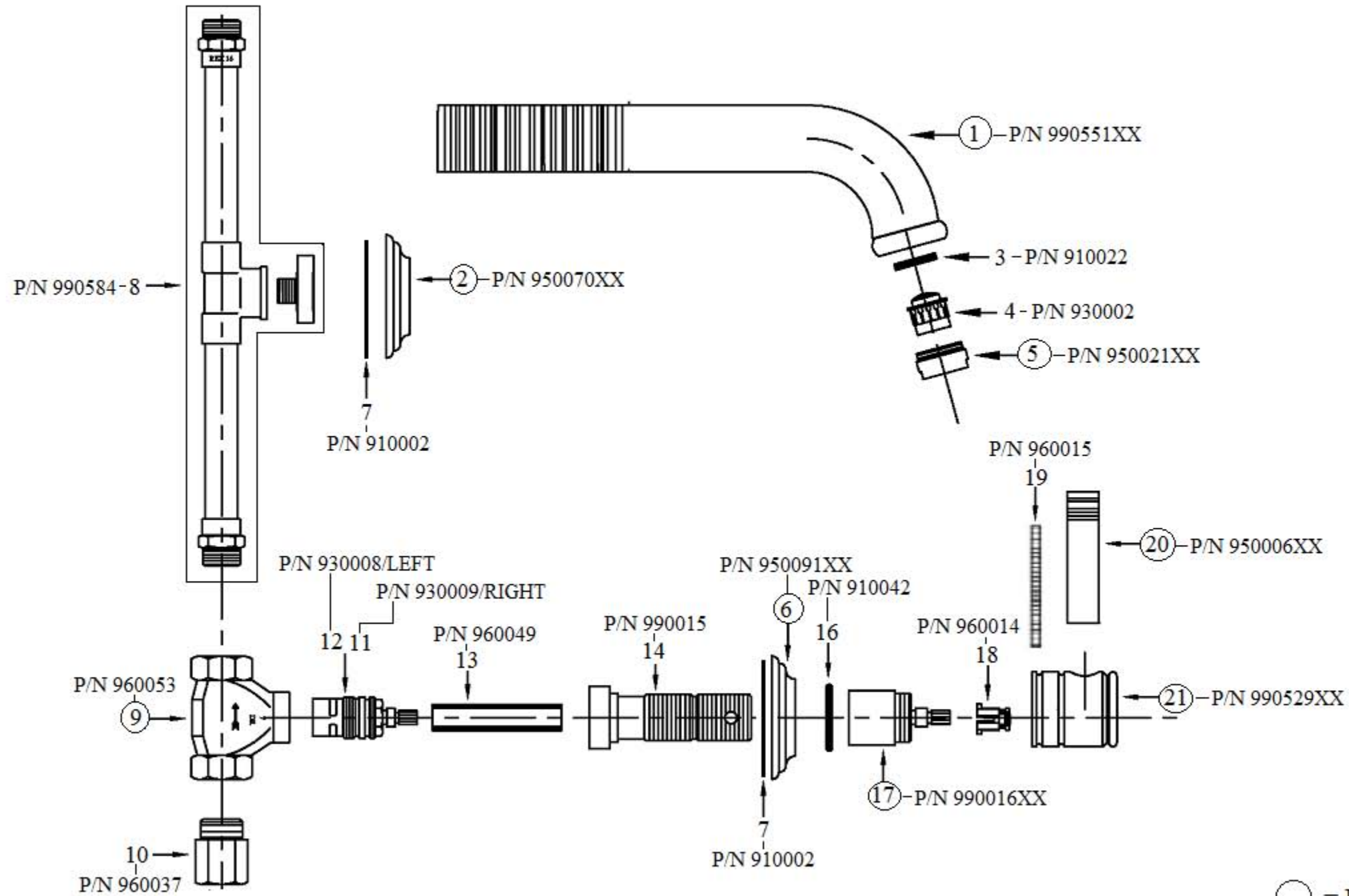
2807 - 'Lille' 3 Hole Wall Mount Lavatory Mixer

(CENTRAL ALL THREAD CAN BE CUT DOWN TO SIZE)



2807 - 'Lille' 3 Hole Wall Mount Lavatory Mixer

*P/N = PART NUMBER



○ = FINISHED PART
XX = TWO DIGIT FINISH CODE