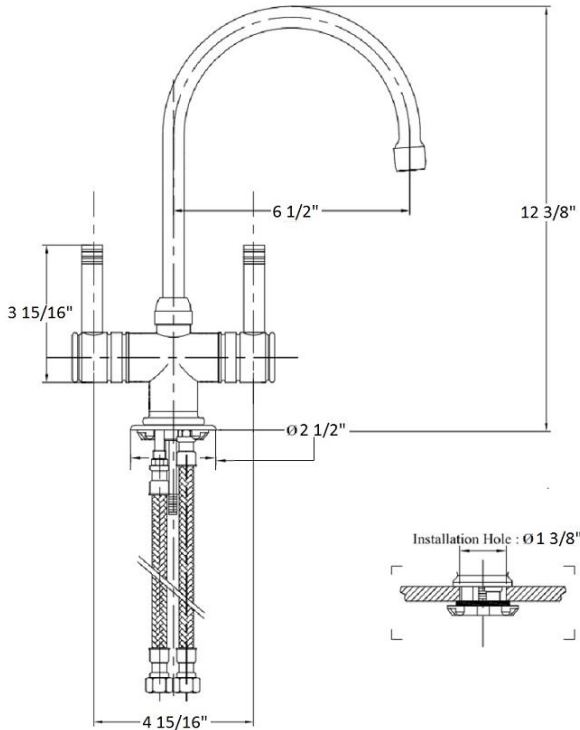


2801 - 'Lille' Single Hole Lavatory Mixer



Technical Information

- NSF / ANSI 61 & 372 / ASME A112.18.1 / CSA B125.1 / CEC AB1953 / WATERSENSE certified.
- New style metal handles.
- Requires 1 3/8" hole drilling.
- 1/4 Turn ceramic Ecobross Flühs cartridges.
- Maximum flow rate is 1.2 GPM / 5.45 L / mn with new low flow restrictor.
- Available finishes are French Weathered Brass (47), Polished Chrome (48), SoliBrass (49), Lacquered Matte Black Nickel (50), Old Gold (52), Old Silver (53), Polished Brass (55), Polished Nickel (56), Brushed Nickel (57), Satin Nickel (60), Antique Lacquered Copper (67), Antique Lacquered Brass (68), Weathered Brass (70), Lacquered Polished Black Nickel (71) and Lacquered Polished Copper (80).
- Please See Cleaning Instructions: <http://herbeau.com/CleaningAll.pdf> For Finish Care and Maintenance Information.

Part #	Description
01	Lille Metal Handle
03	Escutcheon
04	Lille Lavatory Spout - Ecobross
05	Lille Handle Base
06	Flat Rubber Washer
07	Nylon Clip
08	Rubber Horseshoe Washer
09	Locking Collar
10	Rubber O-Ring
11	Aerator Washer
12	Aerator Filter
13	Aerator Cover
14	Central Body Lille - Ecobross
15	Rubber O-Ring
16	Splined Insert
17	Rubber O-Ring
18	12" X 3/8" Flexible Supply Hose & O-Ring
18	Optional 30" X 3/8" Flexible Supply Hose & O-Ring
19	Rubber O-Ring
20	Threaded Stem
22	Brass Horseshoe
23	Brass Washer
24	Brass Nut
81	1/4 Turn Ceramic Cartridge – Hot - Ecobross
82	1/4 Turn Ceramic Cartridge – Cold - Ecobross



U.P. Code
NSF-61/9-G
ASME A112.18.1/CSA B125.1



Certified by
NSF International

Please follow example when ordering parts for 'Lille' Mixer

- To order part#01 – Lille Metal Handle
 - 950006xx
- Please substitute finish number needed in place of **XX**



Herbeau[®]
L'Art du Sanitaire depuis 1857

2801 - 'Lille' Single Hole Lavatory Mixer

