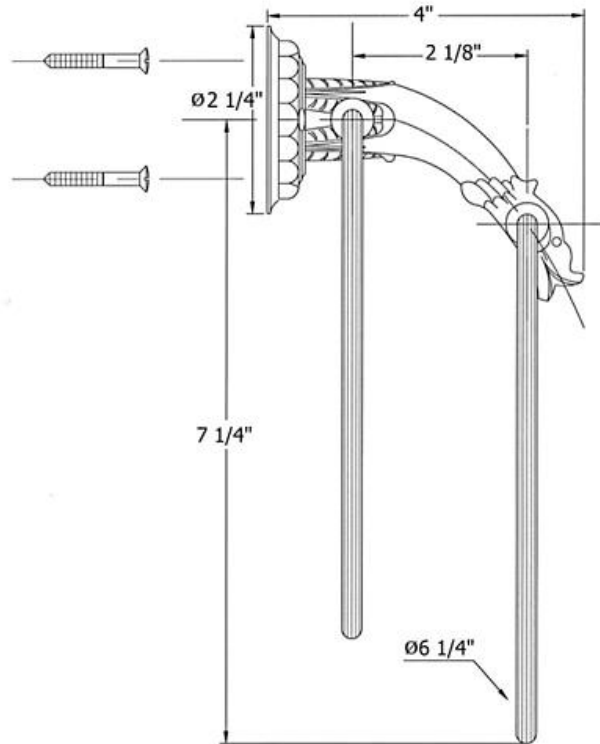


2304 – ‘Pompadour’ Double Towel Ring



Technical Information

- Available finishes are French Weathered Brass (47), Polished Chrome (48), SoliBrass (49), Lacquered Matte Black Nickel (50), Old Gold (52), Old Silver (53), Polished Brass (55), Polished Nickel (56), Brushed Nickel (57), Satin Nickel (60), Antique Lacquered Copper (67), Antique Lacquered Brass (68), Weathered Brass (70), Lacquered Polished Black Nickel (71) and Lacquered Polished Copper (80).
- Please See Cleaning Instructions: <http://herbeau.com/CleaningAll.pdf> For Finish Care and Maintenance Information.

Part#

Description

- | Part# | Description |
|-------|-----------------------|
| 01 | Gargoyle Support Head |
| 02 | Plastic Stem |
| 03 | Towel Ring Only |
| 04 | Finished Screw |

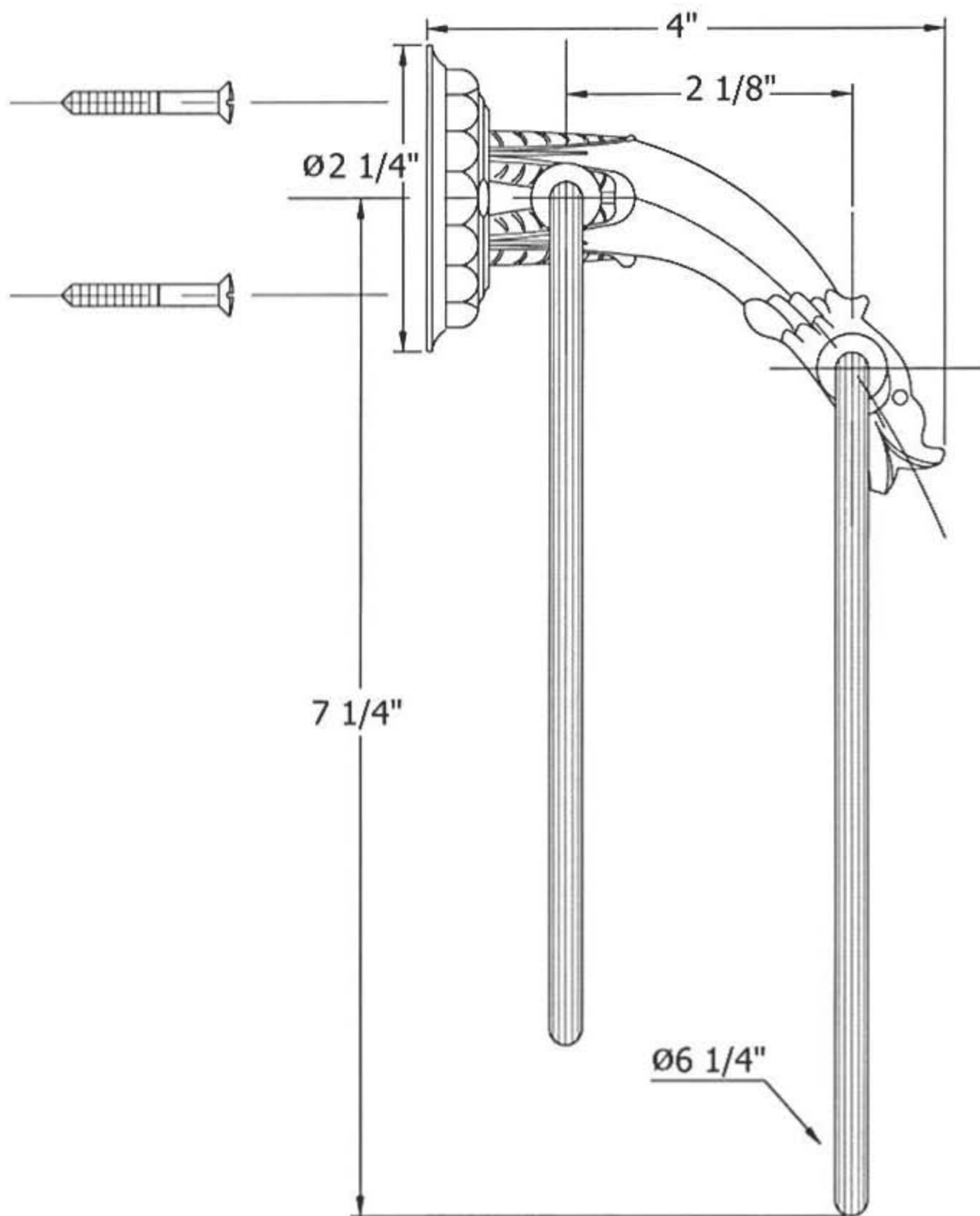
Please follow example when ordering parts for ‘Pompadour’ Towel Ring

- To order part#04– Finished Screws
 - 950242xx
- Please substitute finish number needed in place of xx



Herbeau[®]
L'Art du Sanitaire depuis 1857

2304 - 'Pompadour' Double Towel Ring



2304 - 'Pompadour' Double Towel Ring

*P/N = PART NUMBER

