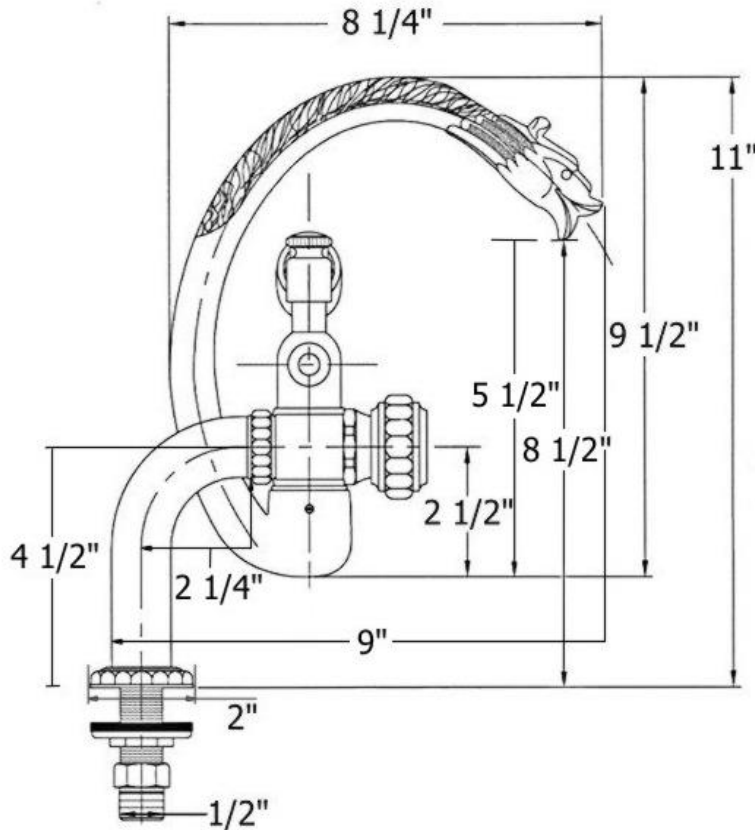


2236 - 'Pompadour' Deck Mounted Tub Filler



Technical Information

- Hole drilling 1 1/4".
- Includes hand shower – maximum flow rate for hand shower is 1.8 GPM.
- Maximum flow rate for tub spout is 8.72 GPM.
- 1/2" male adapter.
- 1/2 turn ceramic Ecobross Flühs cartridges.
- Can be used with adduction pipes (Item# 2239).
- Available finishes are French Weathered Brass (47), Polished Chrome (48), SoliBrass (49), Lacquered Matte Black Nickel (50), Old Gold (52), Old Silver (53), Polished Brass (55), Polished Nickel (56), Brushed Nickel (57), Satin Nickel (60), Antique Lacquered Copper (67), Antique Lacquered Brass (68), Weathered Brass (70), Lacquered Polished Black Nickel (71) and Lacquered Polished Copper (80).
- Please See Cleaning Instructions:
<http://herbeau.com/CleaningAll.pdf> For Finish Care and Maintenance Information.

Part #	Description
01	Counter Nut
02	Metal Ring & Rubber Washer
03	Low Flow Restrictor
04	Pompadour Escutcheon
05	Finished Threaded Inlet
06	3/4" Washer
07	Pompadour Spout
08	Set Screw
09	Flat Rubber Washer
10	Handle Escutcheon
11	Nylon Separator
12	Brass Screw
13	Pompadour Handle
14	Rubber O-Ring
15	Inlet Nut
16	Rubber O-Ring
17	Hand Spray Elbow
18	Ceramic Insert
27	Metal Ring F/Hand Shower
28	Finished Hand Shower Handle
29	Metal Ring F/Hand Shower
30	4' Complete Finished Hose
33	Pompadour Tub Filler Body
34	Rubber O-Ring
35	Body To Spout Coupler
36	1/2" Adapter - Ecobross
37	1/2" Washer
85	1/2 Turn Ceramic Cartridge - Ecobross
92	Hand Shower Kit F/Pompadour
95	Pompadour Diverter Kit

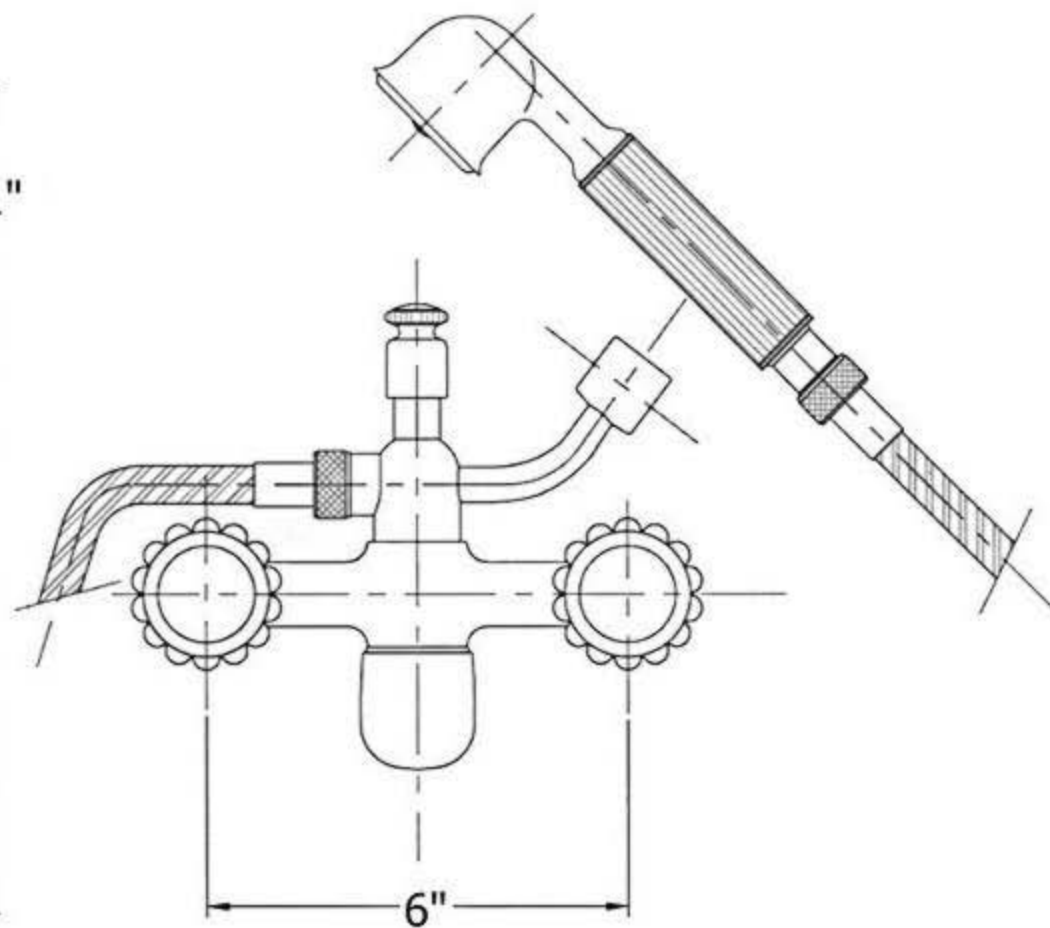
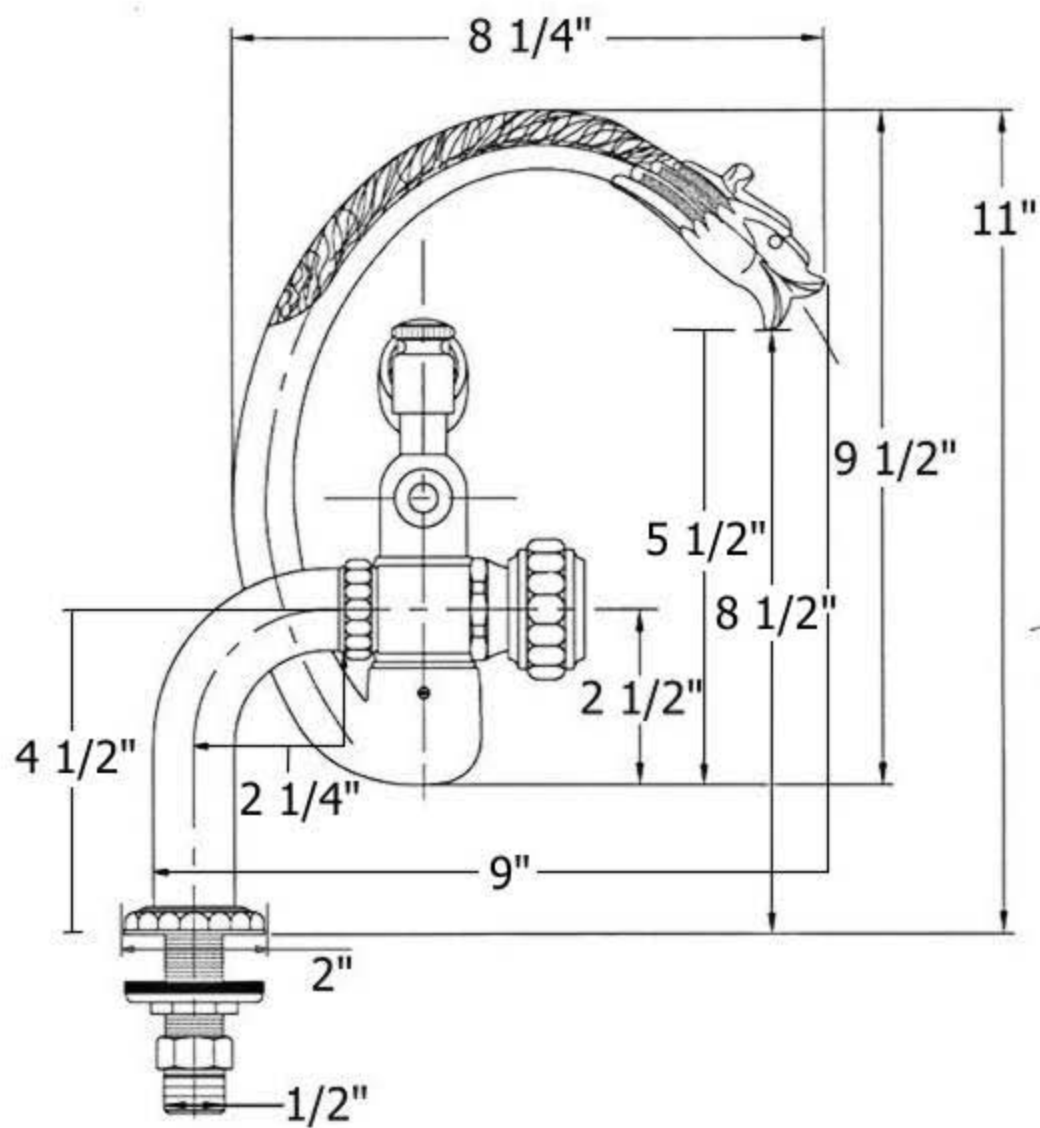
Please follow example when ordering parts for 'Pompadour'
Tub Filler

- To order part#13 – Pompadour Handle
 - 950035**xx**
- Please substitute finish number needed in place of **xx**



Herbeau®
L'Art du Sanitaire depuis 1857

2236 - 'Pompadour' Deck Mounted Tub Filler



Hole Drilling = 1 1/4"

2236 - 'Pompadour' Deck Mounted Tub Filler

*P/N = PART NUMBER

