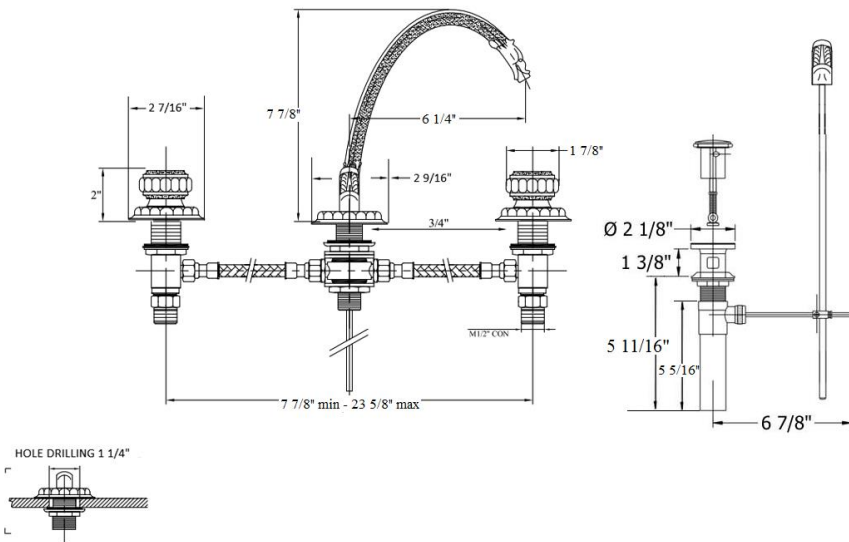


2232 - 'Pompadour' Widespread Lavatory Set



Technical Information

- NSF / ANSI 61 & 372 / ASME A112.18.1 / CSA B125.1 / CEC AB1953 / WATERSENSE certified.
- Requires 1 ¼" hole drilling.
- ½ turn ceramic Ecobross Flühs cartridges.
- Includes pop-up assembly.
- Maximum flow rate is 1.2 GPM / 5.45 L / mn with new low flow restrictor.
- Available finishes are French Weathered Brass (47), Polished Chrome (48), SoliBrass (49), Lacquered Matte Black Nickel (50), Old Gold (52), Old Silver (53), Polished Brass (55), Polished Nickel (56), Brushed Nickel (57), Satin Nickel (60), Antique Lacquered Copper (67), Antique Lacquered Brass (68), Weathered Brass (70), Lacquered Polished Black Nickel (71) and Lacquered Polished Copper (80).
- Please See Cleaning Instructions: <http://herbeau.com/CleaningAll.pdf> For Finish Care and Maintenance Information.

Part #	Description
01	Pompadour Spout - Ecobross
02	Rubber O-Ring
03	Body
04	Metal Ring & Rubber Washer
05	Rubber O-Ring
06	¾" Counter Nut
07	Metal Washer
08	Rubber O-Ring
09	Mixing Chamber - Ecobross
10	Counter Nut
11	½" Washer
12	Flexible Hose F-F
13	½" Adapter - Ecobross
14	Valve Body - Ecobross
15	Pop-up Assembly Only
16	Horizontal Pop-up Rod
17	Flat Rubber Washer
18	Pompadour Large Escutcheon
19	Connectors for Pop-up Assembly Rod
20	Handle Escutcheon
21	Nylon Separator
22	Brass Screw
23	Pompadour Handle
24	Pop-up Rod Finial
25	Pop-up Rod Only
26	Set Screw
27	Low Flow Restrictor
85	½ Turn Ceramic Cartridge - Ecobross



U.P. Code
NSF-61/9-G
ASME A112.18.1/CSA B125.1



Certified by
NSF International

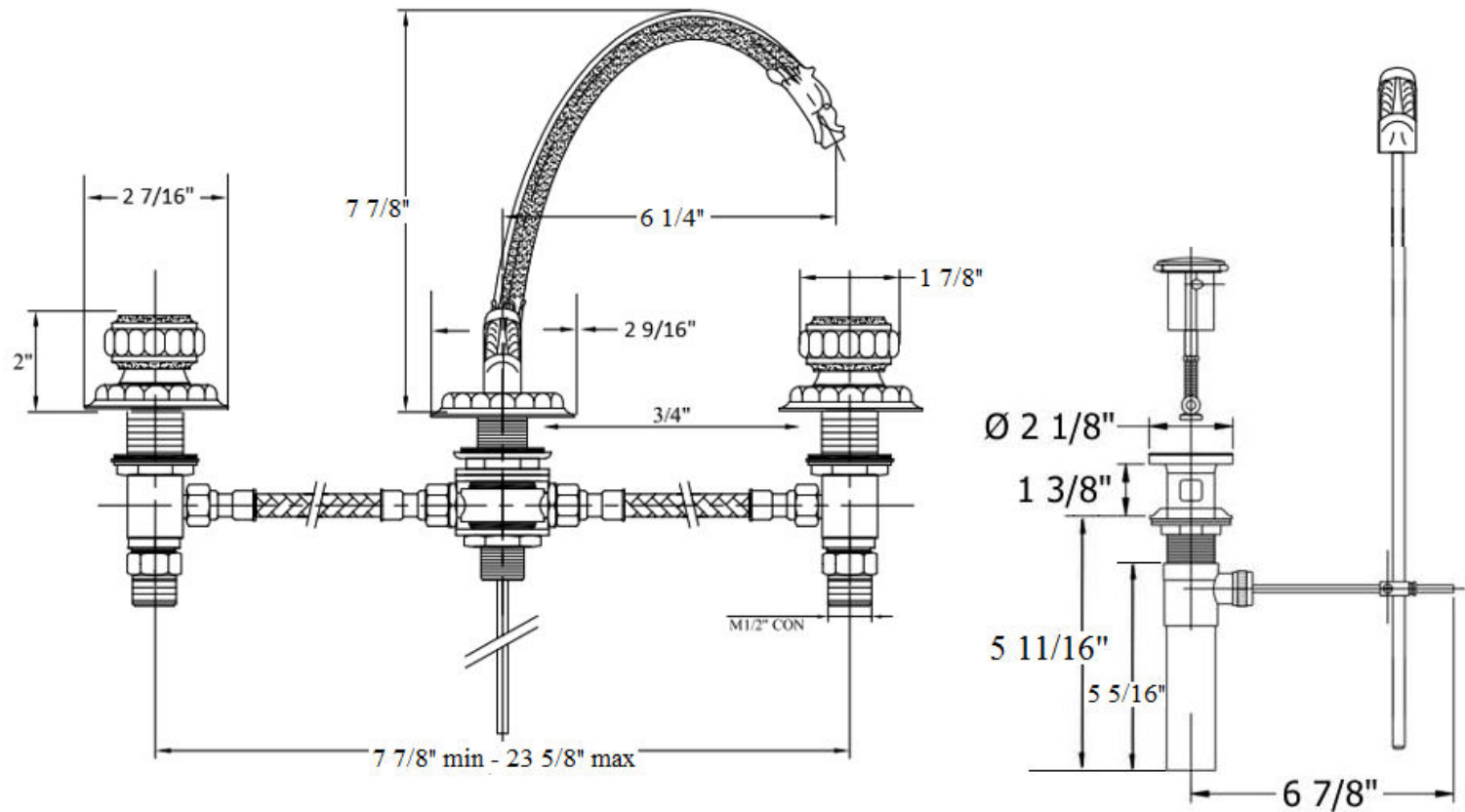
Please follow example when ordering parts for 'Pompadour'
Mixer

- To order part#01 – Spout
 - 950032**xx**
- Please substitute finish number needed in place of **xx**



Herbeau[®]
L'Art du Sanitaire depuis 1857

2232 - 'Pompadour' Widespread Lavatory Set



HOLE DRILLING $1 \frac{1}{4}''$

