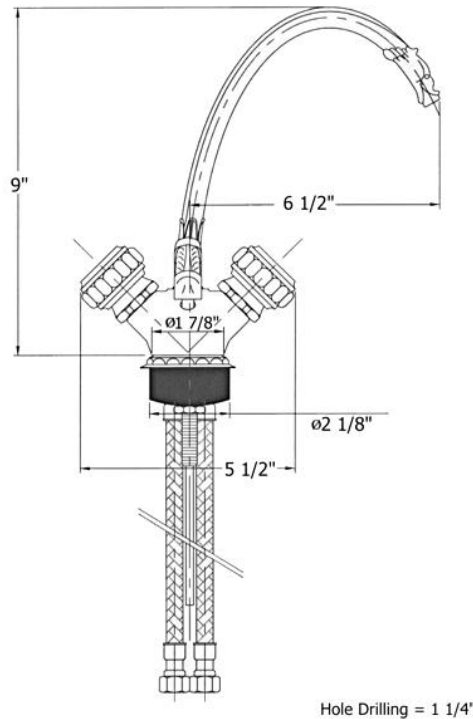


# 2231 - 'Pompadour' Single Hole Lavatory Set



Hole Drilling = 1 1/4"

## Technical Information

- NSF / ANSI 61 & 372 / ASME A112.18.1 / CSA B125.1 / CEC AB1953 / WATERSENSE certified.
- Requires 1 1/4" hole drilling.
- Includes pop-up assembly.
- 1/2 turn ceramic Ecobross Flühs cartridges.
- Maximum flow rate is 1.2 GPM / 5.45 L / mn with new low flow restrictor.
- Available finishes are French Weathered Brass (47), Polished Chrome (48), SoliBrass (49), Lacquered Matte Black Nickel (50), Old Gold (52), Old Silver (53), Polished Brass (55), Polished Nickel (56), Brushed Nickel (57), Satin Nickel (60), Antique Lacquered Copper (67), Antique Lacquered Brass (68), Weathered Brass (70), Lacquered Polished Black Nickel (71) and Lacquered Polished Copper (80).
- Please See Cleaning Instructions: <http://herbeau.com/CleaningAll.pdf> For Finish Care and Maintenance Information.

Part #	Description
01	Pompadour Spout - Ecobross
02	Set Screw
03	Rubber O-Ring
09	Low Flow Restrictor
10	Spout O-Ring
11	Finished Spout Connector
12	Base - Ecobross
13	Threaded Mounting Rod
13	Extended Threaded Mounting Rod
14	Deck Escutcheon
15	Flat Rubber Washer
16	Brass Horse Shoe
17	Brass Hex Nut
18	Pompadour Handle
19	Brass Screw
20	Nylon Separator
21	Handle Escutcheon
22	Rubber Horse Shoe Washer
23	1/2" Washer
25	12" X 3/8" Flexible Supply Hose & O-Ring
25	30" X 3/8" Flexible Supply Hose & O-Ring
26	Pop-up Finial
27	Pop-up Rod Only
28	Pop-up Assembly Only
29	Horizontal Pop-up Rod Only
30	Connectors For Pop-up Assembly Rod
31	Washer
85	1/2 Turn Ceramic Cartridge - Ecobross



U.P. Code  
NSF-61/9-G  
ASME A112.18.1/CSA B125.1



Certified by  
NSF International

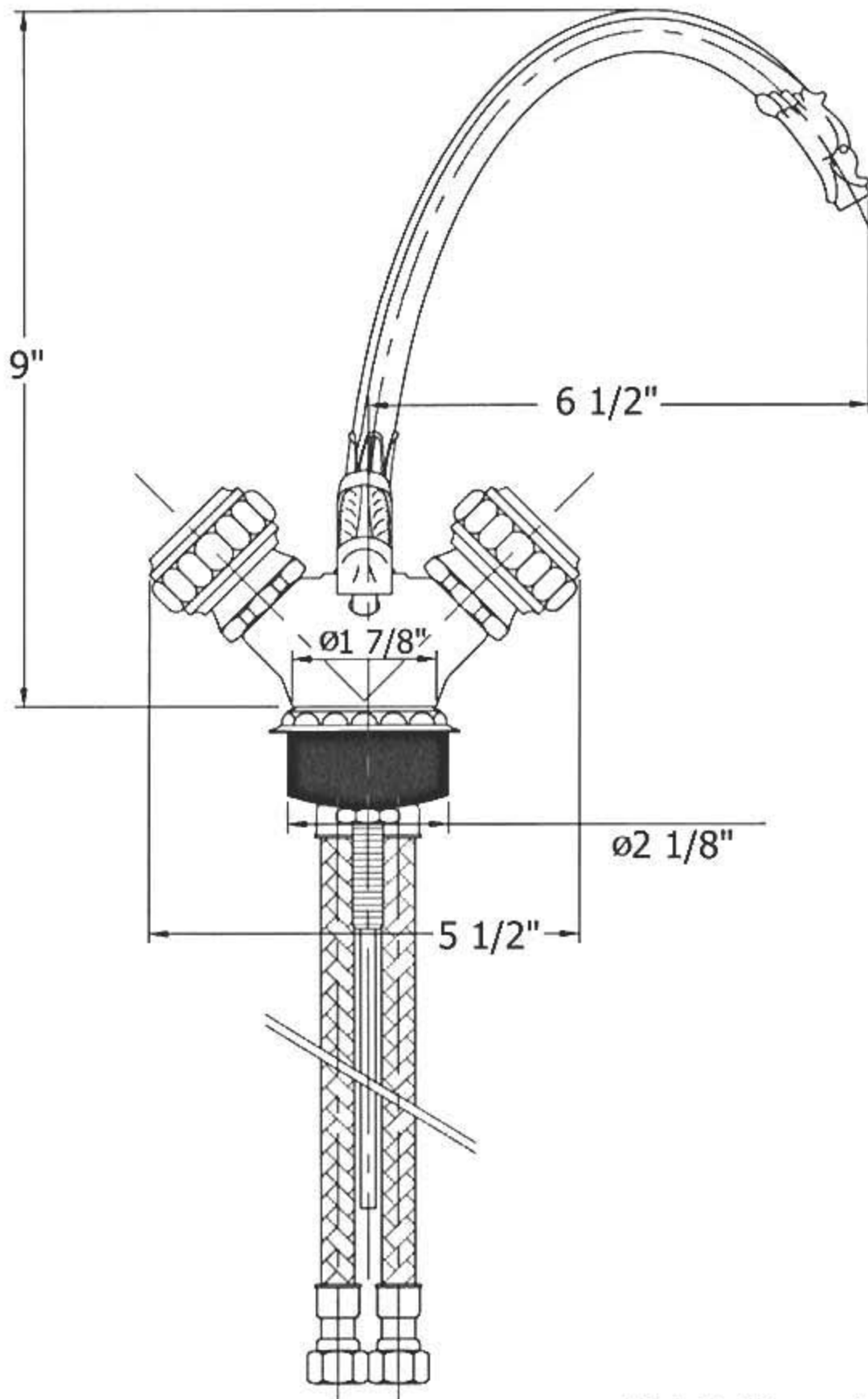
Please follow example when ordering parts for 'Pompadour' Lav. Set

- To order part#18 – Handle
  - 950035xx
- Please substitute finish number needed in place of xx



**Herbeau**<sup>®</sup>  
L'Art du Sanitaire depuis 1857

# 2231 - 'Pompadour' Single Hole Lavatory Set



Hole Drilling = 1 1/4"

# 2231 - 'Pompadour' Single Hole Lavatory Set

\*P/N = PART NUMBER

