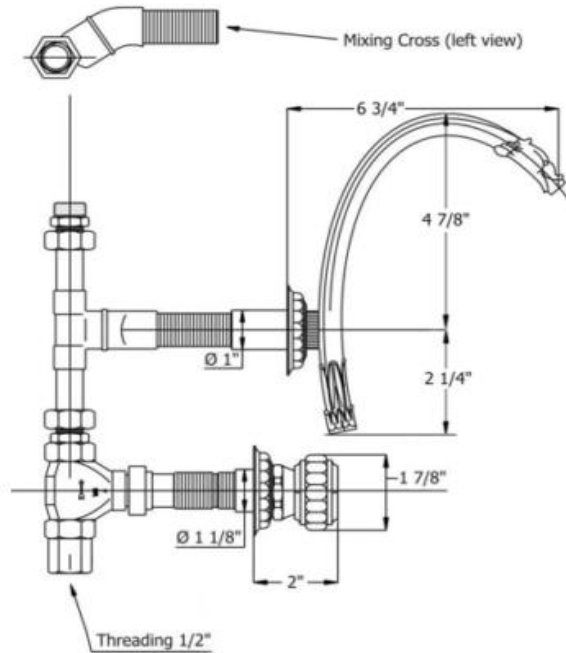


2208 - 'Pompadour' Wall Mounted 3 - Hole Set without Waste



Technical Information

- NSF / ANSI 61 & 372 / ASME A112.18.1 / CSA B125.1 / CEC AB1953 / WATERSENSE certified.
- ½ turn ceramic Flühs cartridges.
- 6 ¾" spout reach.
- 7 ¾" C.T.C. spread.
- Maximum flow rate is 1.2 GPM / 5.45 L / mn with new low flow restrictor.
- Available finishes are French Weathered Brass (**47**), Polished Chrome (**48**), SoliBrass (**49**), Lacquered Matte Black Nickel (**50**), Old Gold (**52**), Old Silver (**53**), Polished Brass (**55**), Polished Nickel (**56**), Brushed Nickel (**57**), Satin Nickel (**60**), Antique Lacquered Copper (**67**), Antique Lacquered Brass (**68**), Weathered Brass (**70**), Lacquered Polished Black Nickel (**71**) and Lacquered Polished Copper (**80**).
- Please See Cleaning Instructions: <http://herbeau.com/CleaningAll.pdf> For Finish Care and Maintenance Information.

Part #	Description
01	Pompadour Wall Spout - Ecobras
02	Rubber O-Ring
03	Escutcheon
04	Threaded Tube
05	Copper T-Rough - Ecobras
06	Low Flow Restrictor
08	½ Turn Cartridge Housing - Ecobras
09	½" Brass Adapter - Ecobras
10	½ Turn Ceramic Cartridge - Ecobras
11	Brass Hexagon Tube
12	Brass Extension
11+12	Extension Kit
4,11,12	7" Spout Thread W/6" Hex & Brass Tube
13	Flat Rubber Washer
14	Inner Trim Housing
15	Escutcheon Ring
16	Nylon Separator
17	Brass Screw
18	Rubber O-Ring
19	Pompadour Handle
20	½" Washer
21	Male To Male Adapter - Ecobras



U.P. Code
NSF-61/9-G
ASME A112.18.1/CSA B125.1



Certified by
NSF International

Please follow example when ordering parts for 'Pompadour' 3 - Hole Set
Without Waste

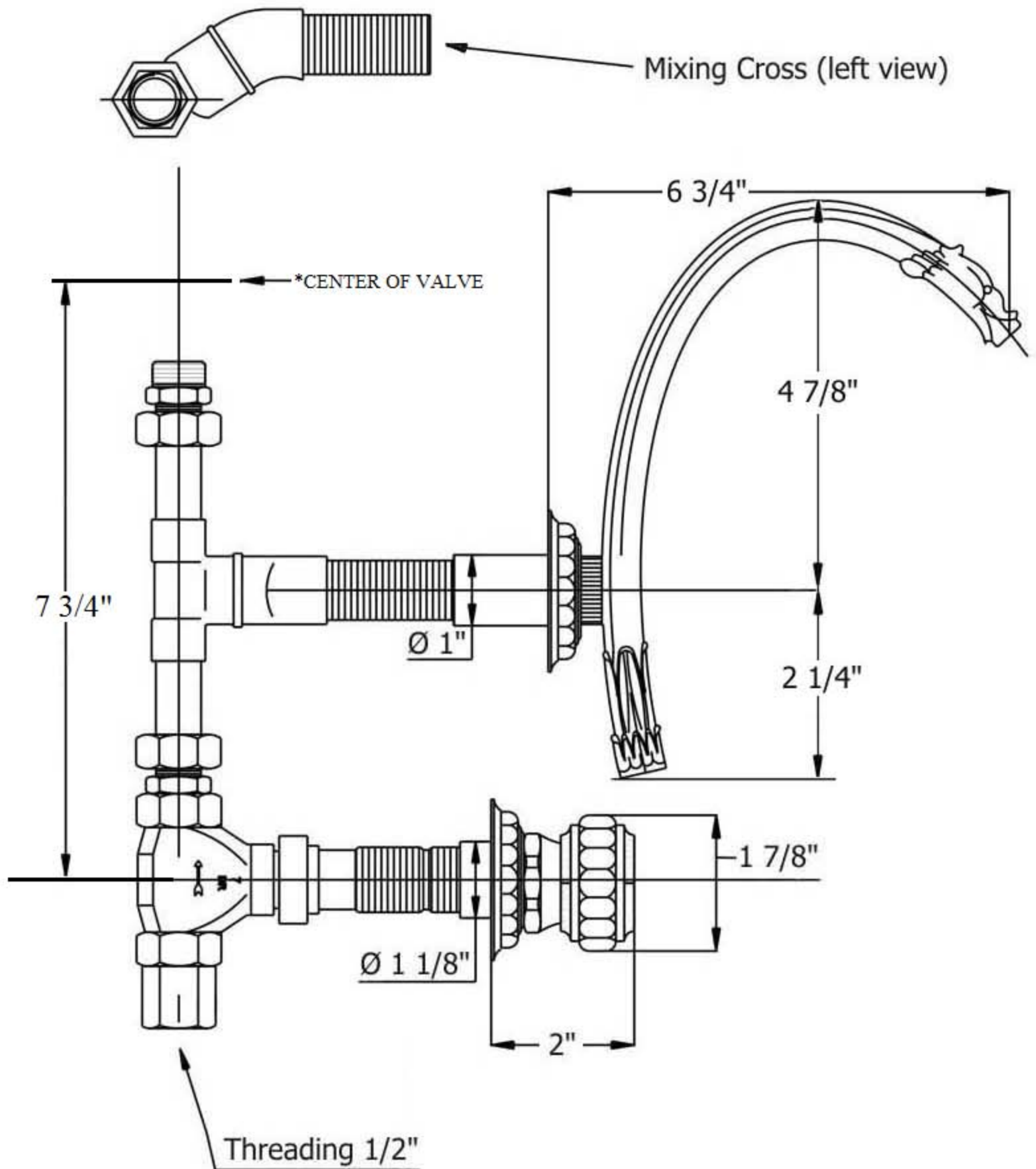
- To order part #01 – Pompadour Wall Spout
 - 990132**xx**
- Please substitute finish number needed in place of **xx**



Herbeau[®]
L'Art du Sanitaire depuis 1857

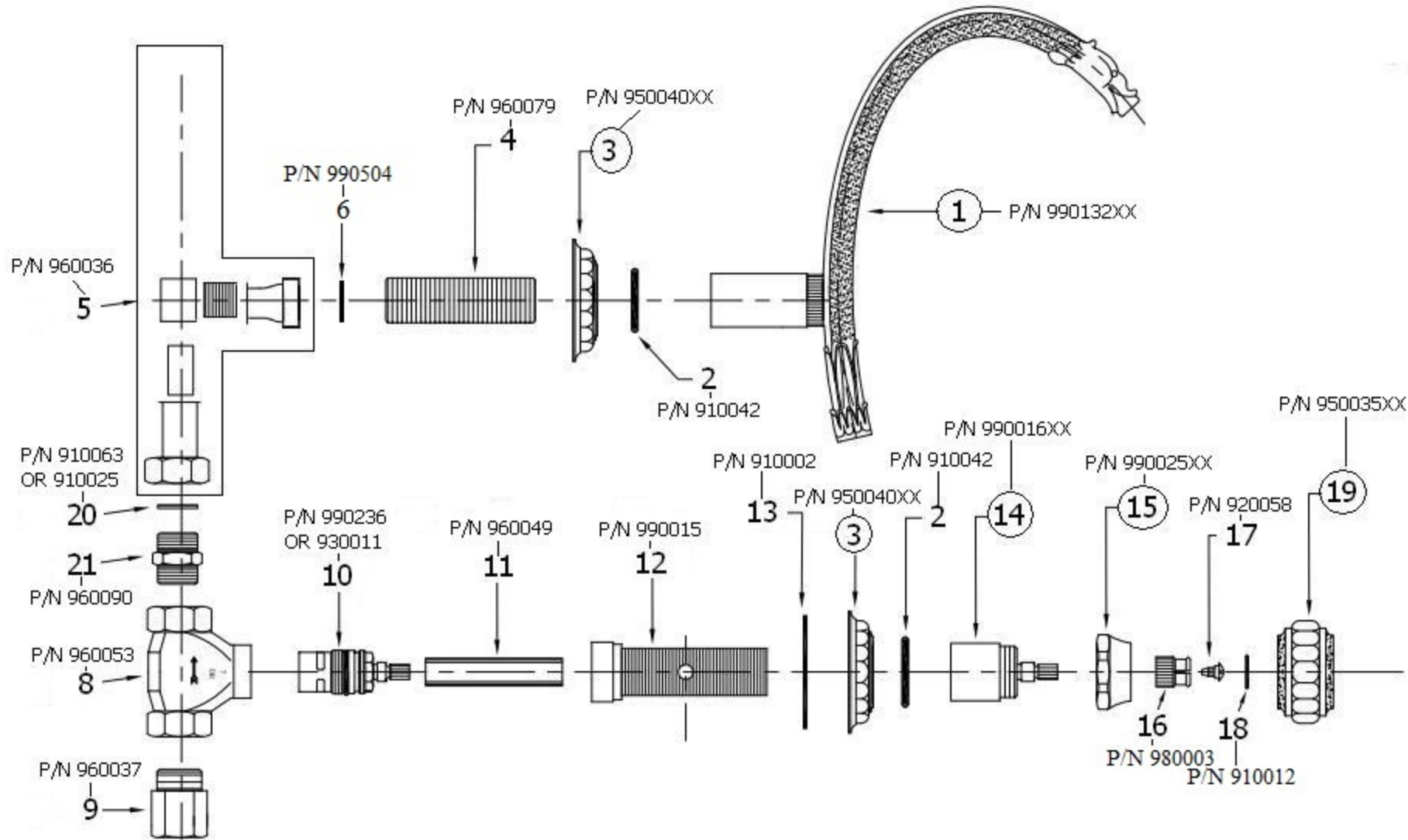
2208 - 'Pompadour' Wall Mounted 3-Hole Set without Waste

*CENTER AND BOTH VALVES ALL-THREAD CAN BE CUT DOWN TO SIZE.



2208 - 'Pompadour' Wall Mounted 3-Hole Set

*P/N = PART NUMBER



XX=TWO DIGIT FINISH CODE

○ = FINISHED PARTS