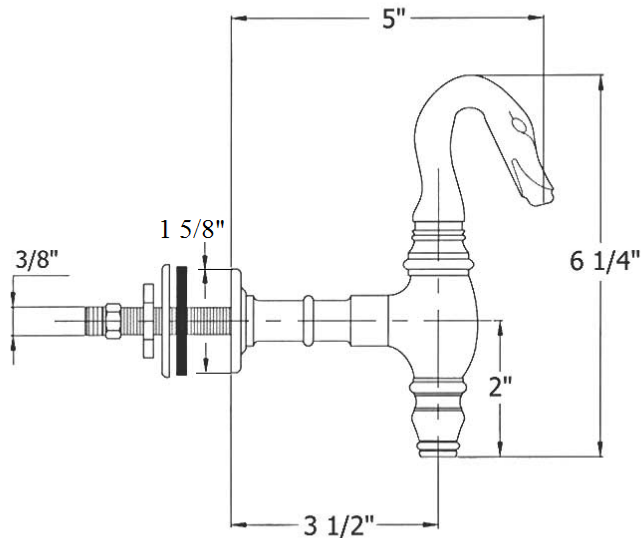


2115 - 'Col Vert Tap' Wall Mounted



Part #	Description
01	Colvert Head
02	Colvert Collar
03	New 2014 Colvert Stem With Gasket
04	Colvert Body
05	Rubber O-Ring
06	Verseuse Aerator
07	Colvert Water Outlet
08	Threaded Wall Outlet
09	Escutcheon
10	Metal Ring & Rubber Washer
11	Rubber Cone
12	Nut
13	3/8" Washer
14	Adapter F3/8" X M3/8" NPT
15	Colvert Head Screw
16	Low Flow Restrictor

Technical Information

- NSF / ANSI 61 & 372 / ASME A112.18.1 / CSA B125.1 / CEC AB1953 / WATERSENSE certified.
- Maximum flow rate is 1.2 GPM with new low flow restrictor.
- 3/8" male adapter.
- For hot or cold water only – 2115 is not a mixer.
- Available finishes are French Weathered Brass (47), Polished Chrome (48), SoliBrass (49), Lacquered Matte Black Nickel (50), Old Gold (52), Old Silver (53), Polished Brass (55), Polished Nickel (56), Brushed Nickel (57), Satin Nickel (60), Antique Lacquered Copper (67), Antique Lacquered Brass (68), Weathered Brass (70), Lacquered Polished Black Nickel (71) and Lacquered Polished Copper (80).
- Please See Cleaning Instructions: <http://herbeau.com/CleaningAll.pdf> For Finish Care and Maintenance Information.



C US

U.P. Code
NSF-61/9-G
ASME A112.18.1/CSA B125.1



Certified by
NSF International

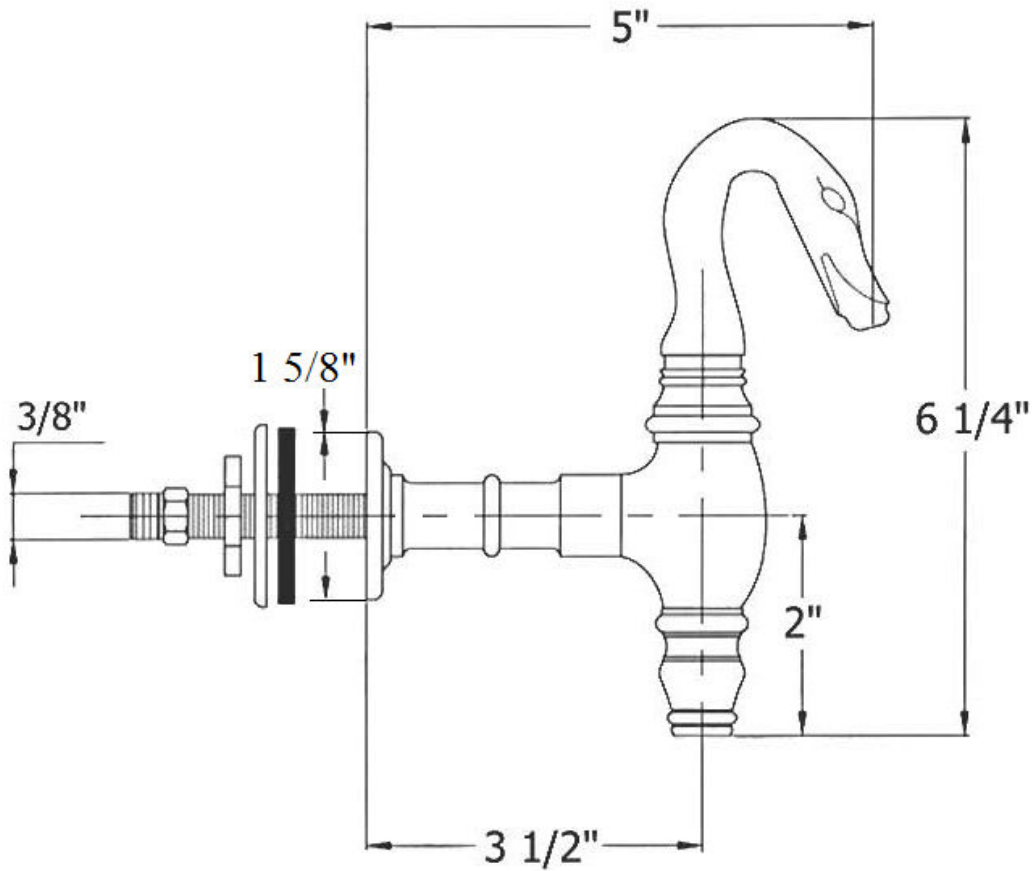
Please follow example when ordering parts for 'Col Vert Tap'

- To order part#01 – Colvert Head
 - 990496xx
- Please substitute finish number needed in place of xx



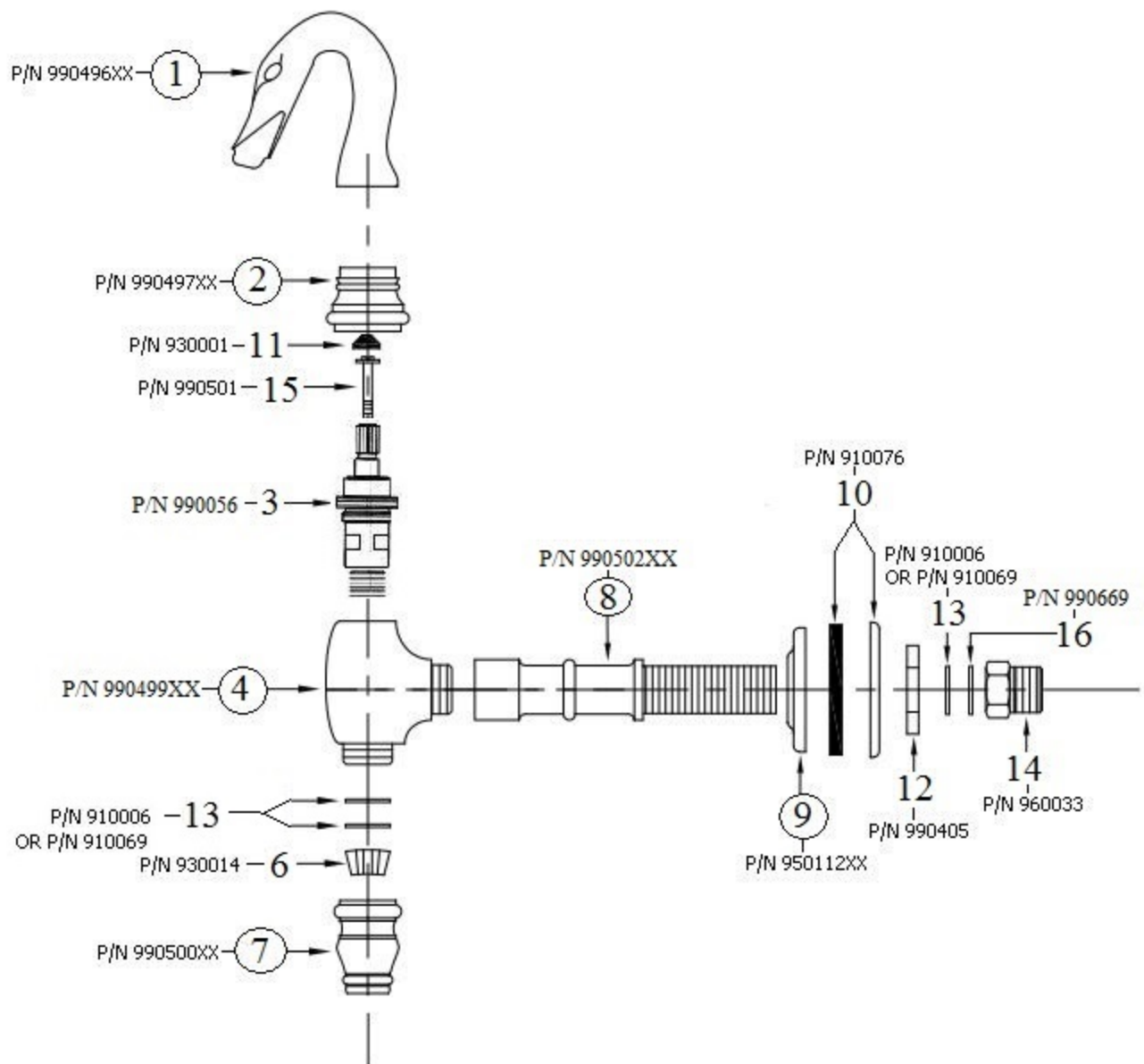
Herbeau®
L'Art du Sanitaire depuis 1857

2115 - 'Col Vert Tap' Wall Mounted



2115 - 'Col Vert Tap' Wall Mounted

*P/N = PART NUMBER



○ = FINISHED PARTS

XX = TWO DIGIT FINISH CODE