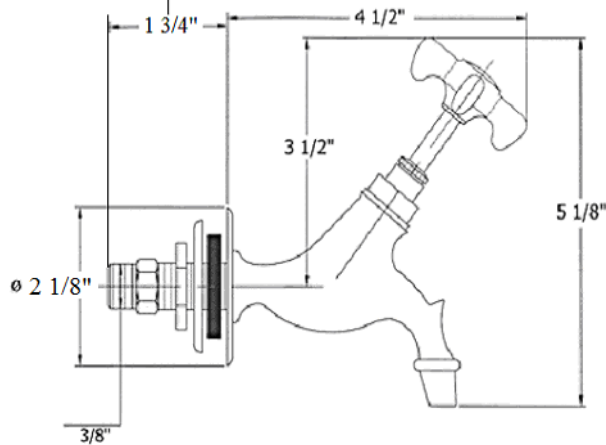


2113 - 'Retro Tap' Wall Mounted

WITHOUT 3/8" ADAPTOR, THREADED STEM IS 1 1/16" IN LENGTH.



Technical Information

- NSF / ANSI 61 & 372 / ASME A112.18.1 / CSA B125.1 / CEC AB1953 / WATERSENSE Certified.
- ¼ turn ceramic Flühs cartridge.
- Maximum flow rate is 1.2 GPM with new low flow restrictor.
- 3/8" male adapter.
- For hot or cold water only – 2113 is not a mixer.
- Available finishes are French Weathered Brass (**47**), Polished Chrome (**48**), SoliBrass (**49**), Lacquered Matte Black Nickel (**50**), Old Gold (**52**), Old Silver (**53**), Polished Brass (**55**), Polished Nickel (**56**), Brushed Nickel (**57**), Satin Nickel (**60**), Antique Lacquered Copper (**67**), Antique Lacquered Brass (**68**), Weathered Brass (**70**), Lacquered Polished Black Nickel (**71**) and Lacquered Polished Copper (**80**).
- Please See Cleaning Instructions:
<http://herbeau.com/CleaningAll.pdf> For Finish Care and Maintenance Instructions.

Part #	Description
01	Adapter F3/8" X M3/8" NPT
02	3/8" Washer
03	Nut
04	Metal Ring & Rubber Washer
06	Flat Rubber Washer
07	Wall Escutcheon
08	2013 New Retro Body
09	Rubber O-Ring
10	Verseuse Aerator
11	2013 Aerator For Wall Retro
12	¼ Turn Ceramic Cartridge
13	Retro Cartridge Cover
14	Cross Handle Stem
15	Cross Handle
16	Washer
17	Brass Handle Screw
18	Rubber O-Ring
19	Finished Insert Holder
20	Black Logo Ceramic Insert
22	Low Flow Restrictor
90	Royale Finished Ceramic Insert



C US

U.P. Code
NSF-61/9-G
ASME A112.18.1/CSA B125.1



Certified by
NSF International

Please follow example when ordering parts for 'Retro Tap' Wall Mounted

- To order part #15 – Cross Handle
 - 950064xx
- Please substitute finish number needed in place of xx



Herbeau®
L'Art du Sanitaire depuis 1857

2113 - "Retro Tap" Wall Mounted - "Updated 2009"

