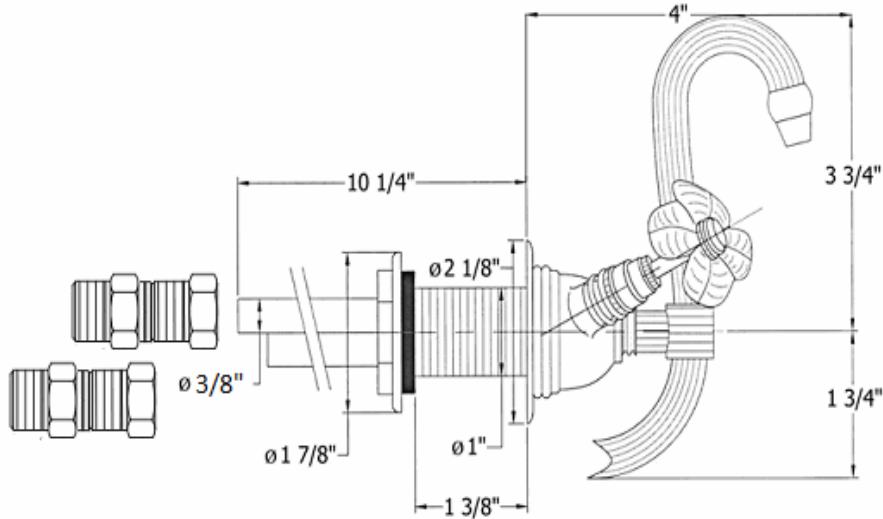


2104 – ‘Verseuse’ Wall Mounted Mixer



Part #	Description
01	Brass Hex Nut
02	Metal Ring & Rubber Washer
03	Verseuse Aerator Cap
05	Escutcheon
06	Main Body
08	Rubber O-Ring
09	Clover Leaf Handle
10	Verseuse Aerator
12	Rubber Cartridge
13	Body Stem
14	Rubber O-Ring
15	Clover Ring
16	Screw Cap
23	3/8" Adapter
24	Low Flow Restrictor
25	3/8" Washer
26	Connector
91	Handle Stem Kit F/2104/2105

Technical Information

- Maximum Flow Rate is 1.2 GPM With Low Flow Restrictor.
- Requires 1 1/8" Hole Drilling.
- 3/8" Copper Based Tube Connections.
- Clover Leaf Handles.
- Available Finishes Are French Weathered Brass(**47**), Polished Chrome(**48**), SoliBrass(**49**), Lacquered Matte Black Nickel(**50**), Old Gold(**52**), Old Silver(**53**), Polished Brass(**55**), Polished Nickel(**56**), Brushed Nickel(**57**), Satin Nickel(**60**), Antique Lacquered Brass(**68**), Weathered Brass(**70**) and Lacquered Polished Black Nickel(**71**).
- Please see Cleaning Instructions: <http://herbeau.com/CleaningAll.pdf> For Finish Care and Maintenance Information.

Please follow example when ordering parts for ‘Verseuse’ Wall Mounted Mixer.

To order part# 06 – **Main Body**

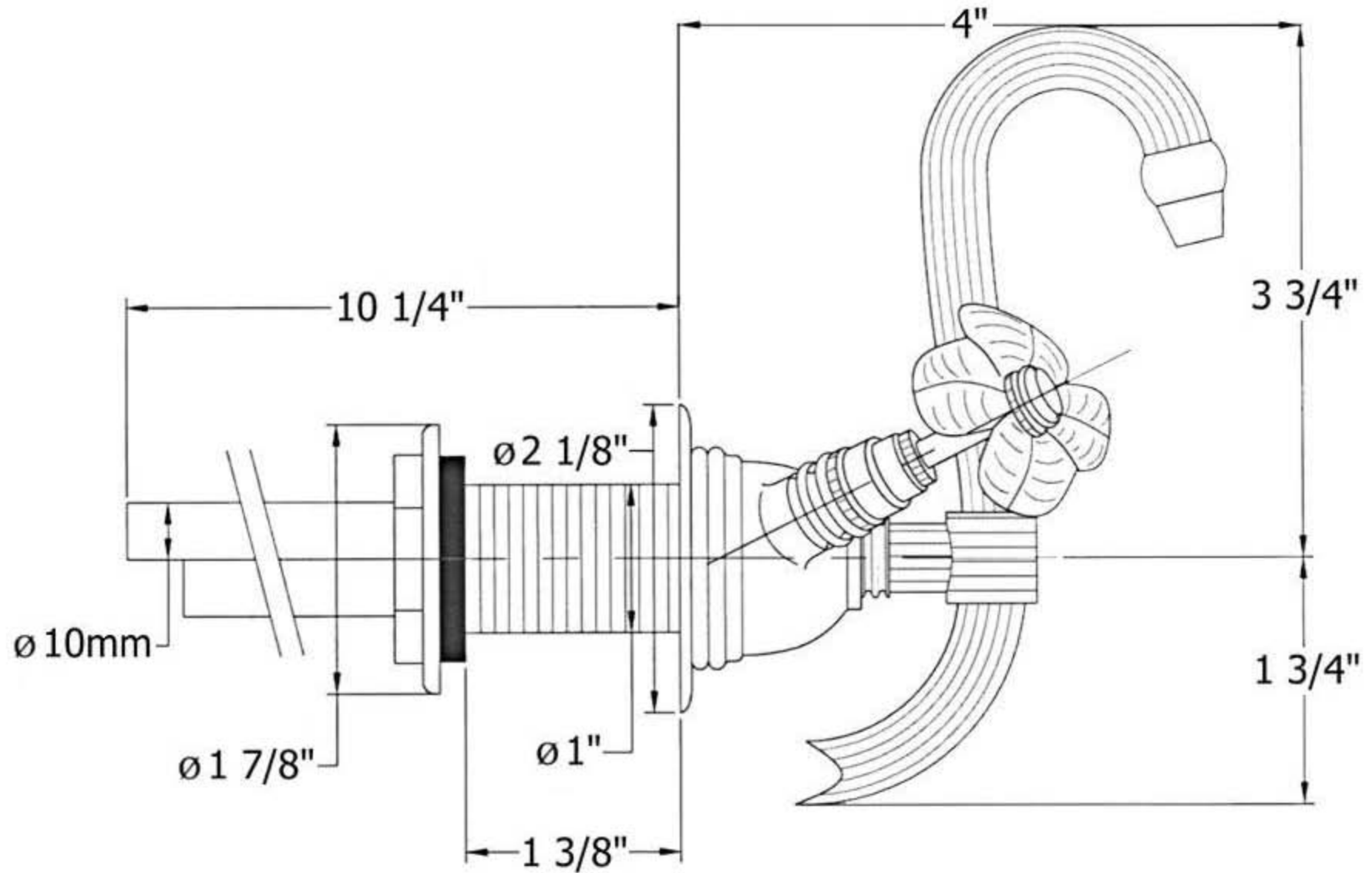
o 950082xx

- Please substitute finish number needed in place of **xx**.



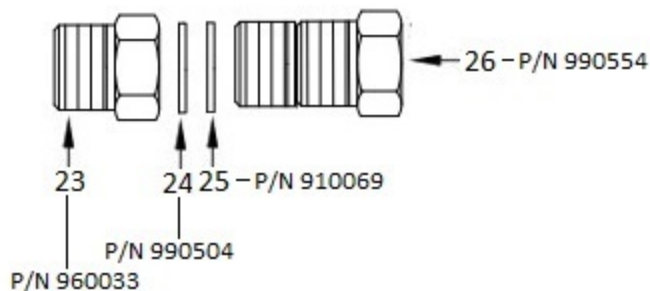
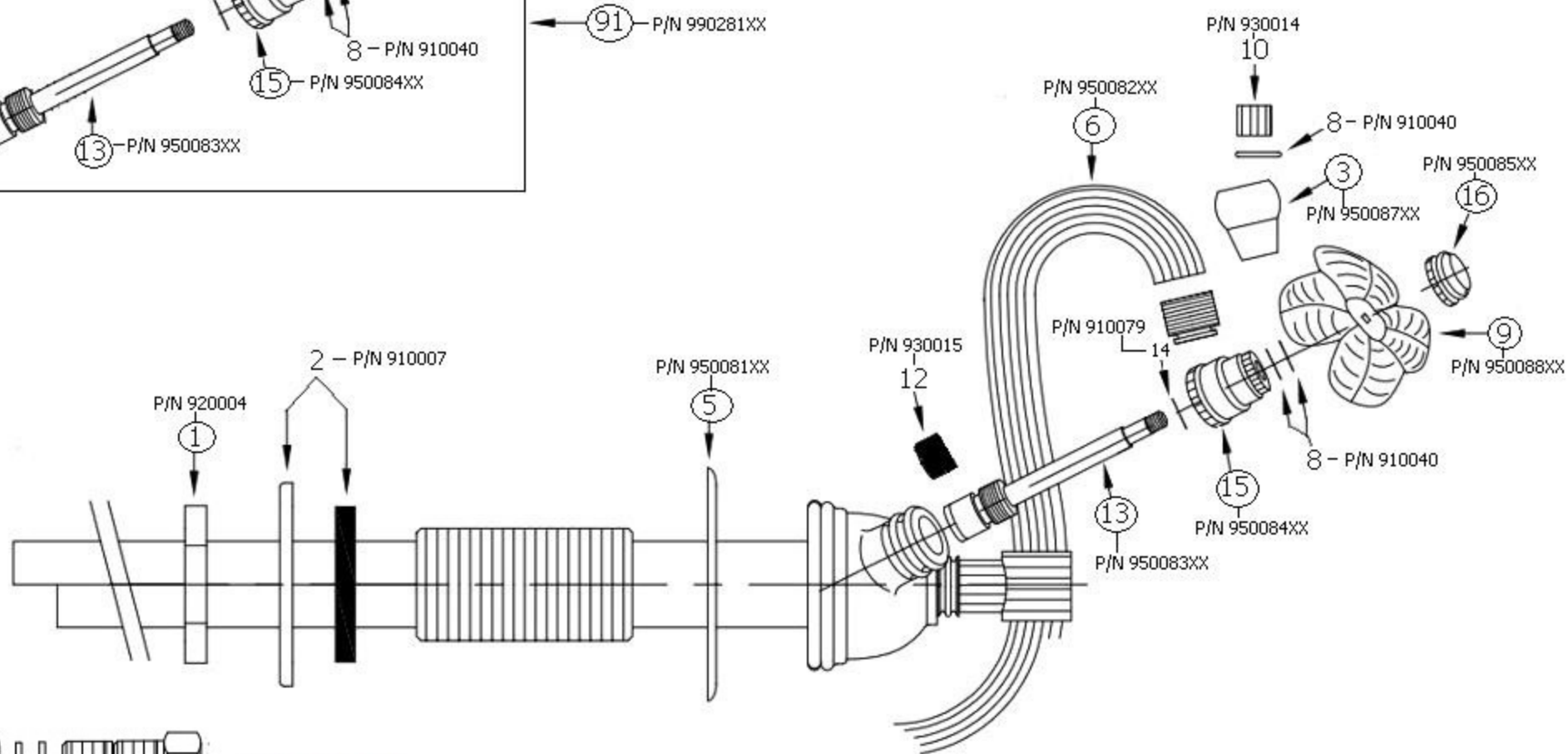
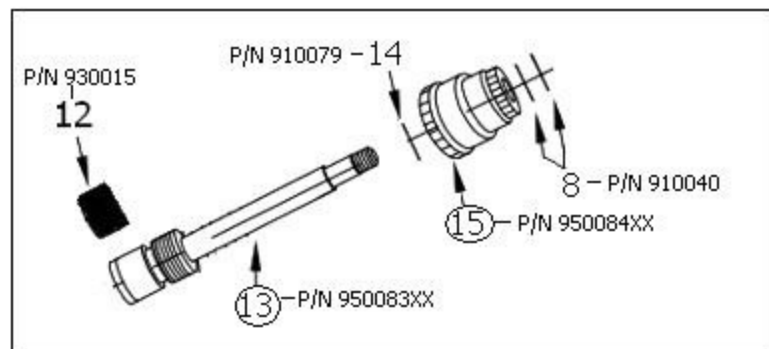
Herbeau[®]
L'Art du Sanitaire depuis 1857

2104 - 'Verseuse' Wall Mounted Mixer



2104 - 'Verseuse' Wall Mounted Mixer

*P/N = PART NUMBER



○ = FINISHED PARTS
 XX = TWO DIGIT FINISH CODE