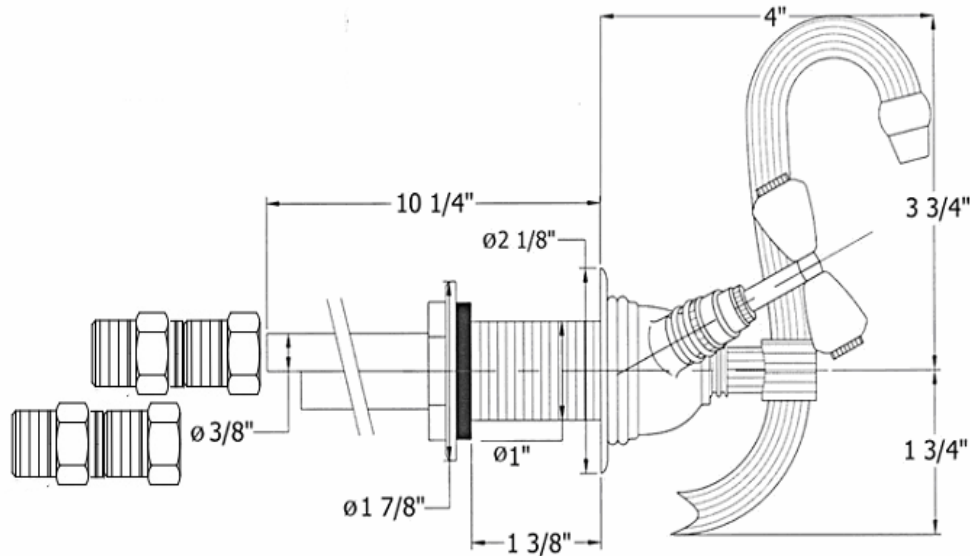


2101 - 'Verseuse' Wall Mounted Mixer



Technical Information

- Maximum Flow Rate is 1.2 GPM With Low Flow Restrictor.
- Requires 1 1/8" Hole Drilling.
- Available Finishes Are French Weathered Brass(47), Polished Chrome(48), SoliBrass(49), Lacquered Matte Black Nickel(50), Old Gold(52), Old Silver(53), Polished Brass(55), Polished Nickel(56), Brushed Nickel(57), Satin Nickel(60), Antique Lacquered Brass(68), Weathered Brass(70) and Lacquered Polished Black Nickel(71).
- Please See Cleaning Instructions: <http://herbeau.com/CleaningAll.pdf> For Finish care and Maintenance Information.
- Please Specify White (20) or Pattern (01-21) For Earthenware Handles.
- 3/8" Finished Copper Tube Connections.

Part#

Description

01	Brass Hex Nut
02	Metal Ring & Rubber Washer
03	Verseuse Aerator Cap
05	Escutcheon
06	Main Body
07	Finished Stem
08	Rubber O-Ring
09	Earthenware Knob
10	Verseuse Aerator
11	End Screws
12	Rubber Cartridge
13	Body Stem
14	Rubber O-Ring 7.2 X 1.9
15	Clover Ring
16	Mounting Nut
17	Washer
23	3/8" Adapter
24	Low Flow Restrictor
25	3/8" Washer
26	Connector
91	Handle Stem Kit F/2101/2102

Please follow example when ordering parts for 'Verseuse' Mixer.

To order part#05 – **Wall Escutcheon**

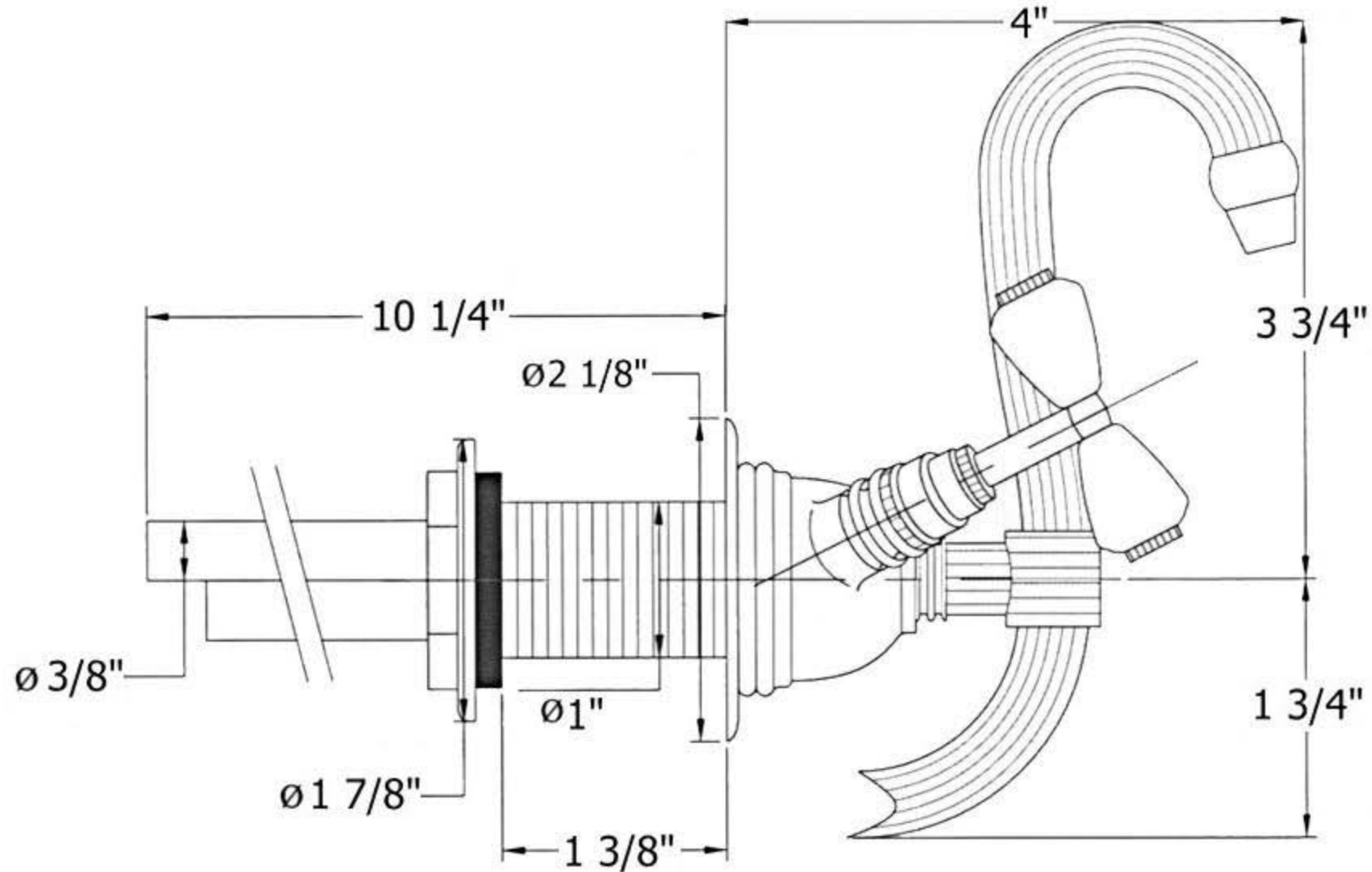
950081xx

- Please substitute finish number needed in place of **xx**.



Herbeau[®]
L'Art du Sanitaire depuis 1857

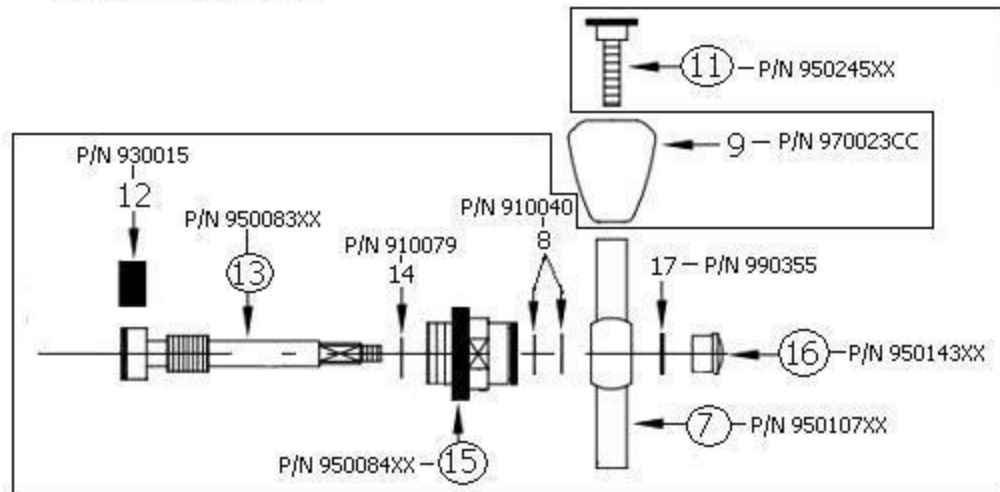
2101 - 'Verseuse' Wall Mounted Mixer



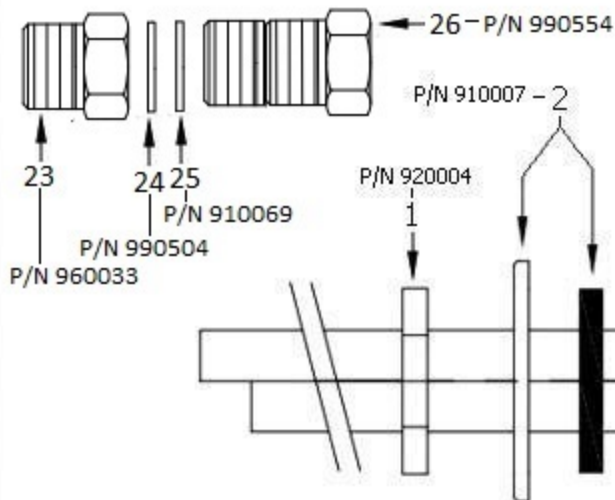
2101 - 'Verseuse' Wall Mounted Mixer

*P/N = PART NUMBER

HANDLE DETAIL



91 - P/N 990282XX



○ = FINISHED PARTS

XX = TWO DIGIT FINISH CODE

CC = TWO DIGIT COLOR OR HAND PAINT DESIGN CODE

