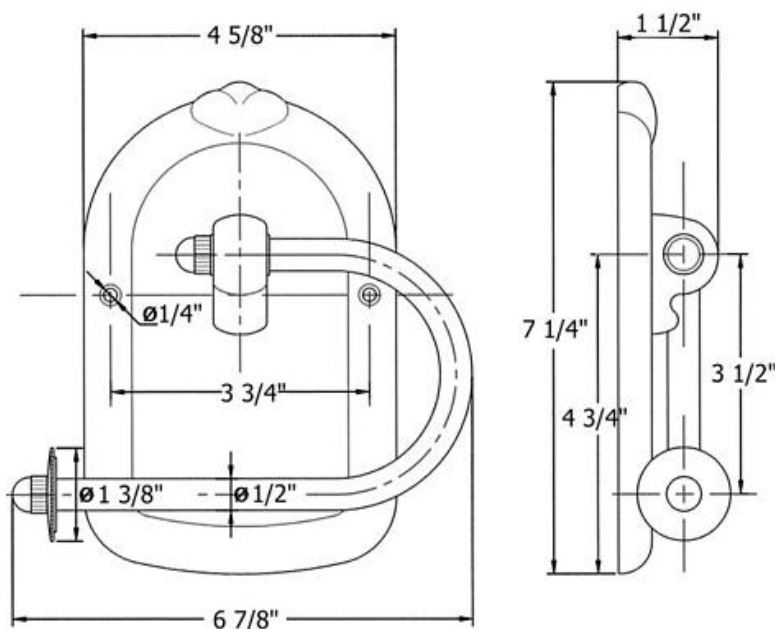


1301 – ‘Neptune’ / ‘Coquille’ / ‘Niche’ Tissue Holder



Technical Information

- Available finishes are French Weathered Brass (47), Polished Chrome (48), SoliBrass (49), Lacquered Matte Black Nickel (50), Old Gold (52), Old Silver (53), Polished Brass (55), Polished Nickel (56), Brushed Nickel (57), Satin Nickel (60), Antique Lacquered Copper (67), Antique Lacquered Brass (68), Weathered Brass (70), Lacquered Polished Black Nickel (71) and Lacquered Polished Copper (80).
- Available colors and hand painted patterns on ceramic escutcheon are Moustier Polychrome (01), Moustier Bleu (02), Moustier Rose (03), Vieux Rouen (04), Sceau Rose (05), Sceau Bleu (06), Berain Rose (07), Berain Vert (08), Berain Bleu (09), Romantique (10), Rouen Marly (11), White (20) and Avesnes (21).
- Please See Cleaning Instructions: <http://herbeau.com/CleaningAll.pdf> For Finish Care and Maintenance Information.

Part#

Description

01	End Cap
02	Finished Disc
03	Toilet Tissue Arm
04	Finished Screw
*05	*Ceramic Escutcheon-Awaiting Part Number Verification
06	M8 X 125-52 Threaded Stem
07	M8 X 125-23 Threaded Stem
08	Nylon Washer

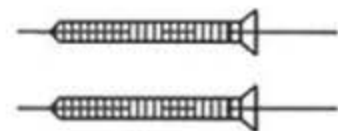
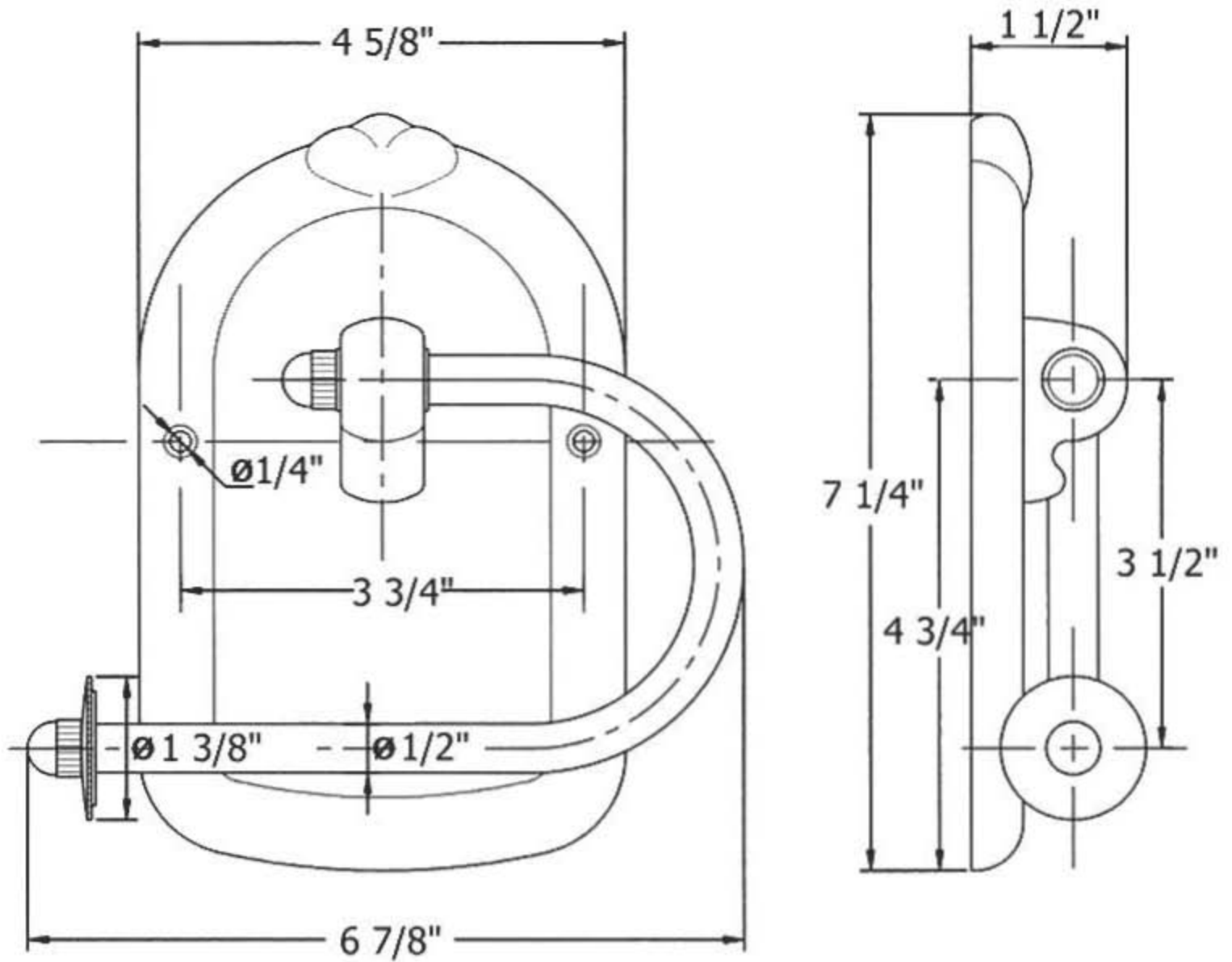
Please follow example when ordering parts for tissue holder

- To order part# 02 – Finished Disc
 - 990187xx
- Please substitute finish number needed in place of **xx**



Herbeau[®]
L'Art du Sanitaire depuis 1857

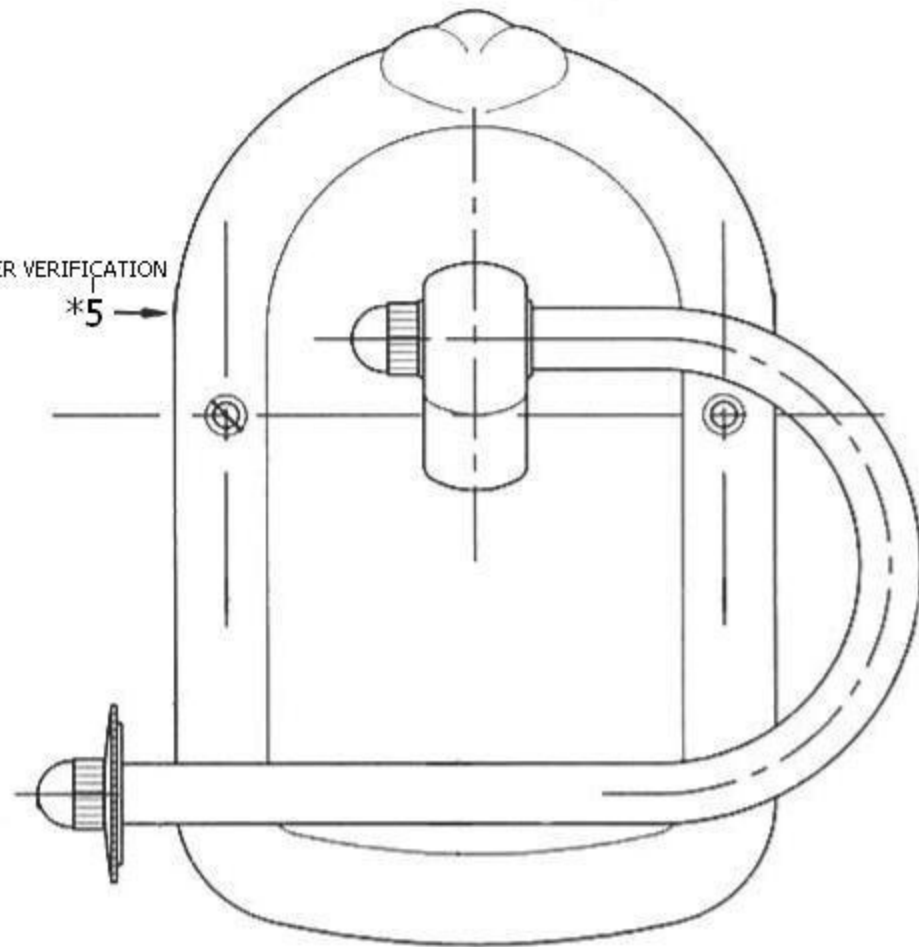
1301 - 'Neptune' / 'Coquille' / 'Niche' Tissue Holder



1301 - 'Neptune' / 'Coquille' / 'Niche' Tissue Holder

*P/N = PART NUMBER

*AWAITING PART NUMBER VERIFICATION



P/N 950109XX

1



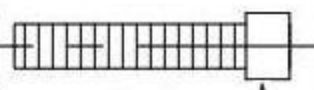
8

P/N 910073



8

P/N 910073



6

P/N 990188

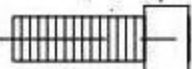
P/N 950108XX

2



P/N 990189

7



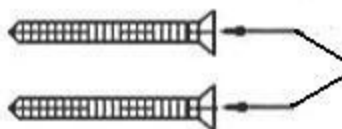
P/N 950109XX

1



3

P/N 990214XX



4

P/N 950242XX

○ = FINISHED PARTS

XX = TWO DIGIT FINISH CODE

CC = TWO DIGIT COLOR/HAND PAINT CODE