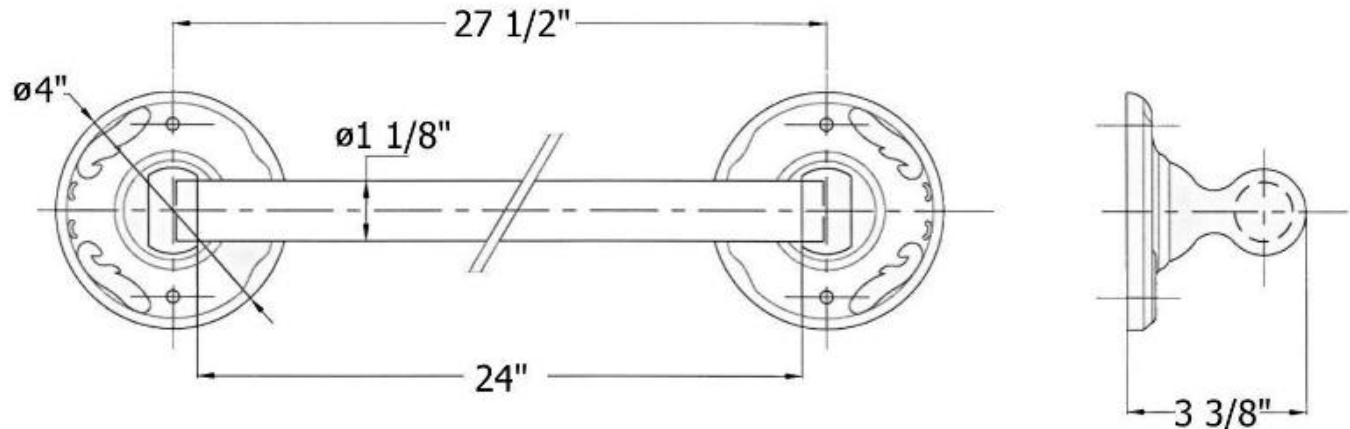


1132 – ‘Charleston’ 24” Towel Bar



Technical Information

- Bar can be cut to size.
- Available finishes are French Weathered Brass (47), Polished Chrome (48), SoliBrass (49), Lacquered Matte Black Nickel (50), Old Gold (52), Old Silver (53), Polished Brass (55), Polished Nickel (56), Brushed Nickel (57), Satin Nickel (60), Antique Lacquered Copper (67), Antique Lacquered Brass (68), Weathered Brass (70), Lacquered Polished Black Nickel (71) and Lacquered Polished Copper (80).
- Available colors and hand painted patterns on ceramic are Moustier Polychrome (01), Moustier Bleu (02), Moustier Rose (03), Vieux Rouen (04), Sceau Rose (05), Sceau Bleu (06), Berain Rose (07), Berain Vert (08), Berain Bleu (09), Romantique (10), Rouen Marly (11), White (20) and Avesnes (21).
- Please See Cleaning Instructions: <http://herbeau.com/CleaningAll.pdf> For Finish Care and Maintenance Information.

Part#

Description

*01

*Ceramic Escutcheon – Cannot Be Ordered Separately

*02

*Finished Bar – Cannot Be Ordered Separately

04

Finished Screw

Please follow example when ordering parts for ‘Charleston’ 24” Towel Bar

- To order part# 04 – Finished Screw

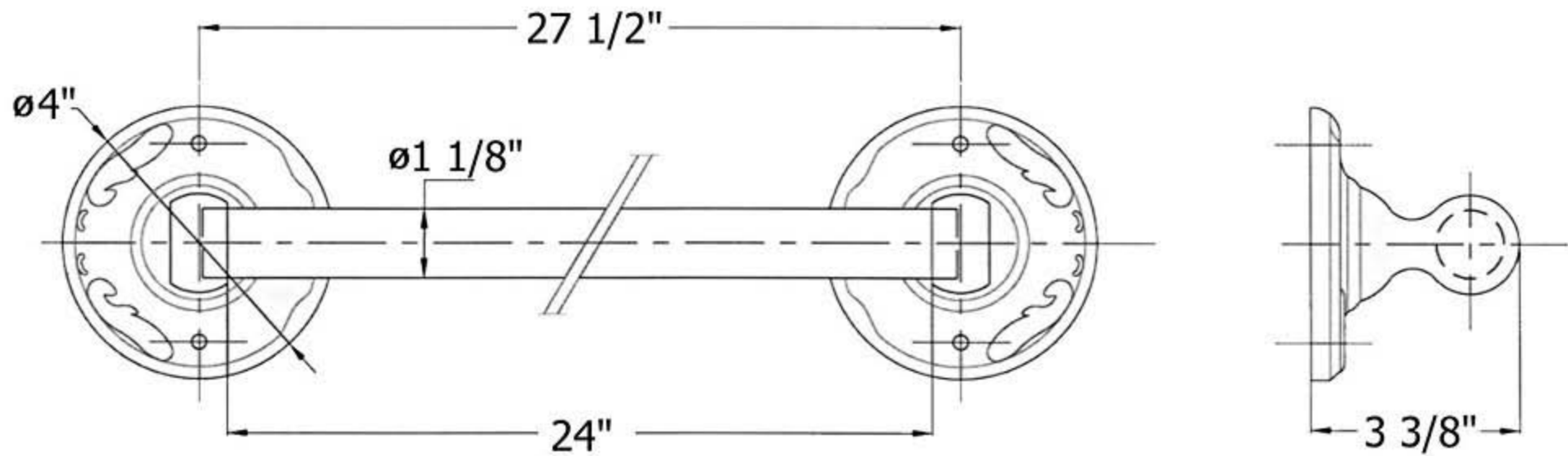
○ 950242xx

- Please substitute finish number needed in place of XX



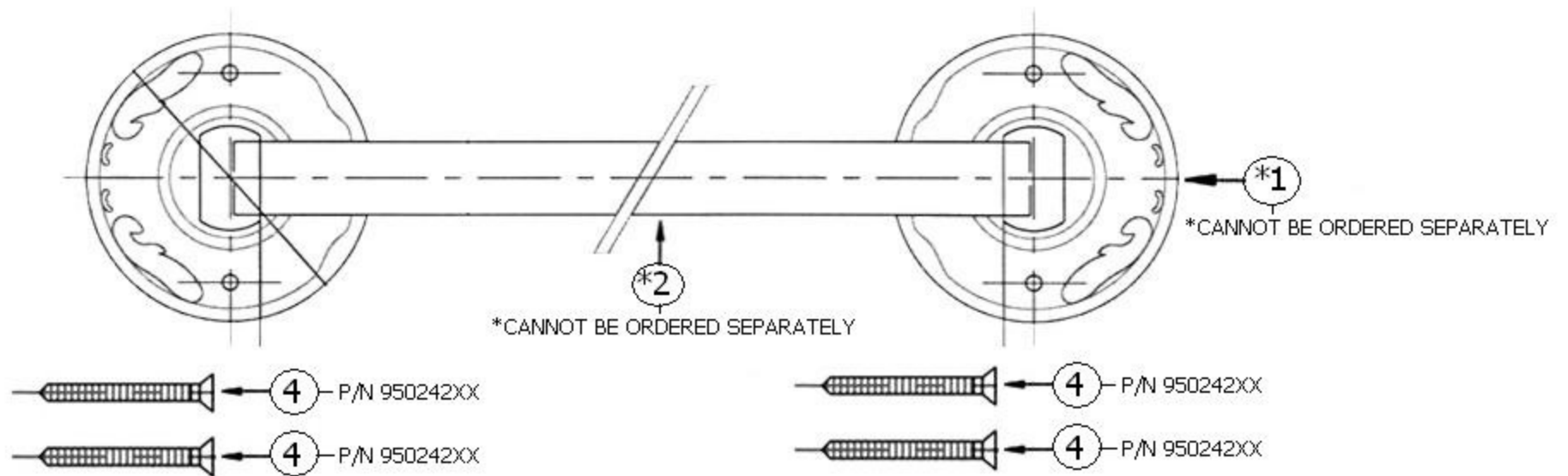
Herbeau[®]
L'Art du Sanitaire depuis 1857

1132 - 'Charleston' 24" Towel Bar



1132 - 'Charleston' 24" Towel Bar

*P/N = PART NUMBER



○ = FINISHED PARTS

XX = TWO DIGIT FINISH CODE