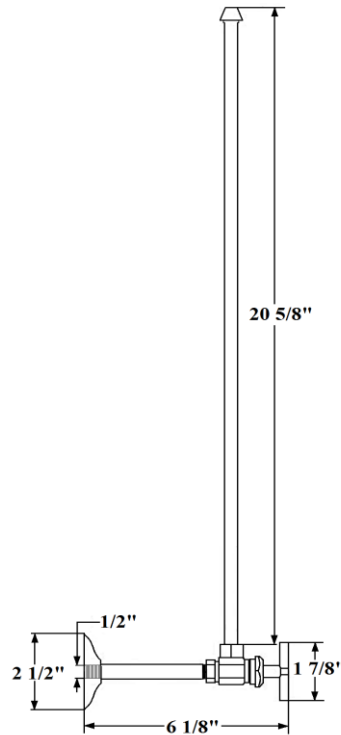


0491 - Lavatory Supply Kit 1/2"



Technical Information

- 20" Brass Supply Lines.
- 1/2" IPS Connection x 3/8" OD Angle Valve.
- Available finishes are French Weathered Brass (**47**), Polished Chrome (**48**), SoliBrass (**49**), Lacquered Matte Black Nickel (**50**), Old Gold (**52**), Old Silver (**53**), Polished Brass (**55**), Polished Nickel (**56**), Brushed Nickel (**57**), Satin Nickel (**60**), Antique Lacquered Copper (**67**), Antique Lacquered Brass (**68**), Weathered Brass (**70**), Lacquered Polished Black Nickel (**71**) and Lacquered Polished Copper (**80**).
- Please See Cleaning Instructions: <http://herbeau.com/CleaningAll.pdf> For Finish Care and Maintenance Information.

Part#

*01
*02
*03
*04
*05
06

*

Description

*Vertical Supply Line
*Finished Nut
*Compression Sleeve
*Valve Assembly
*Finished Horizontal Pipe
Finished Escutcheon

*Denotes Parts That Cannot Be Ordered Separately

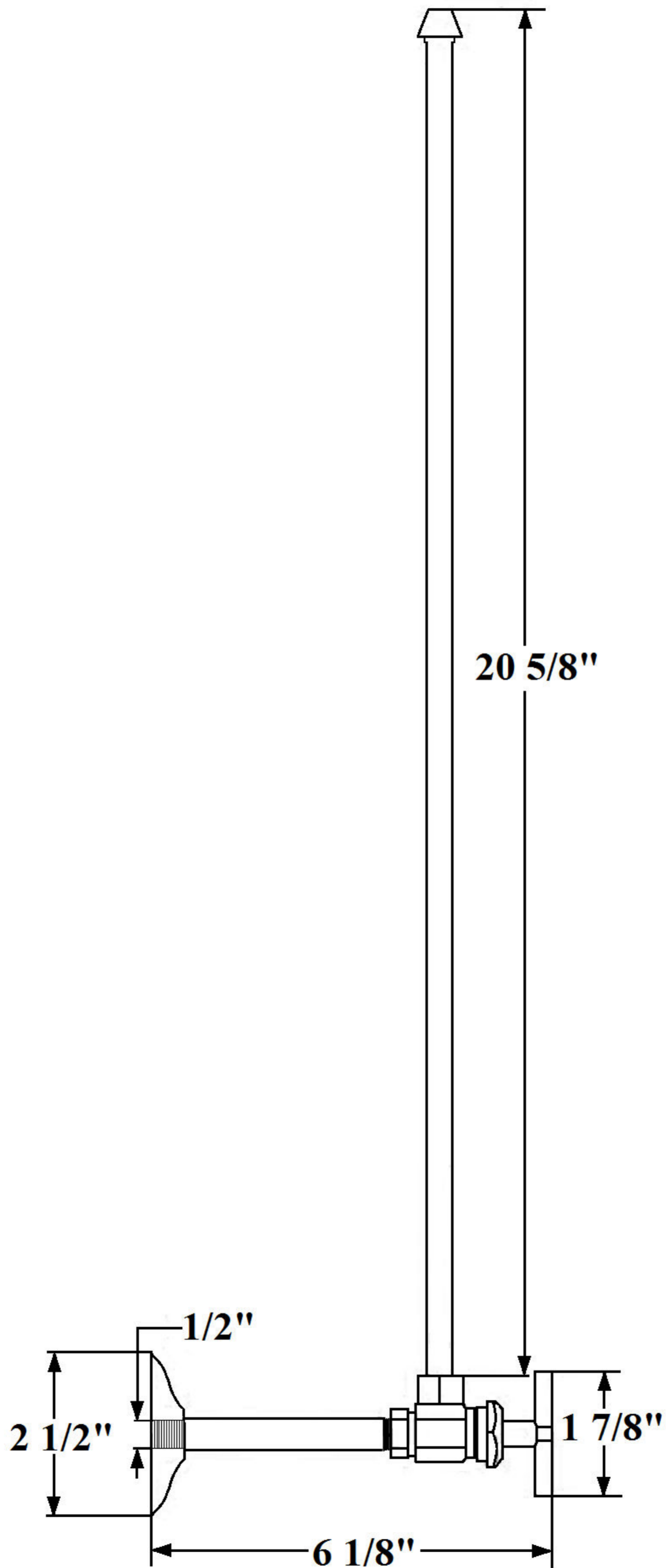
Please follow example when ordering parts for Lavatory Supply Kit

- To order part#06 – Finished Escutcheon
 - 990392xx
- Please substitute finish number needed in place of **xx**



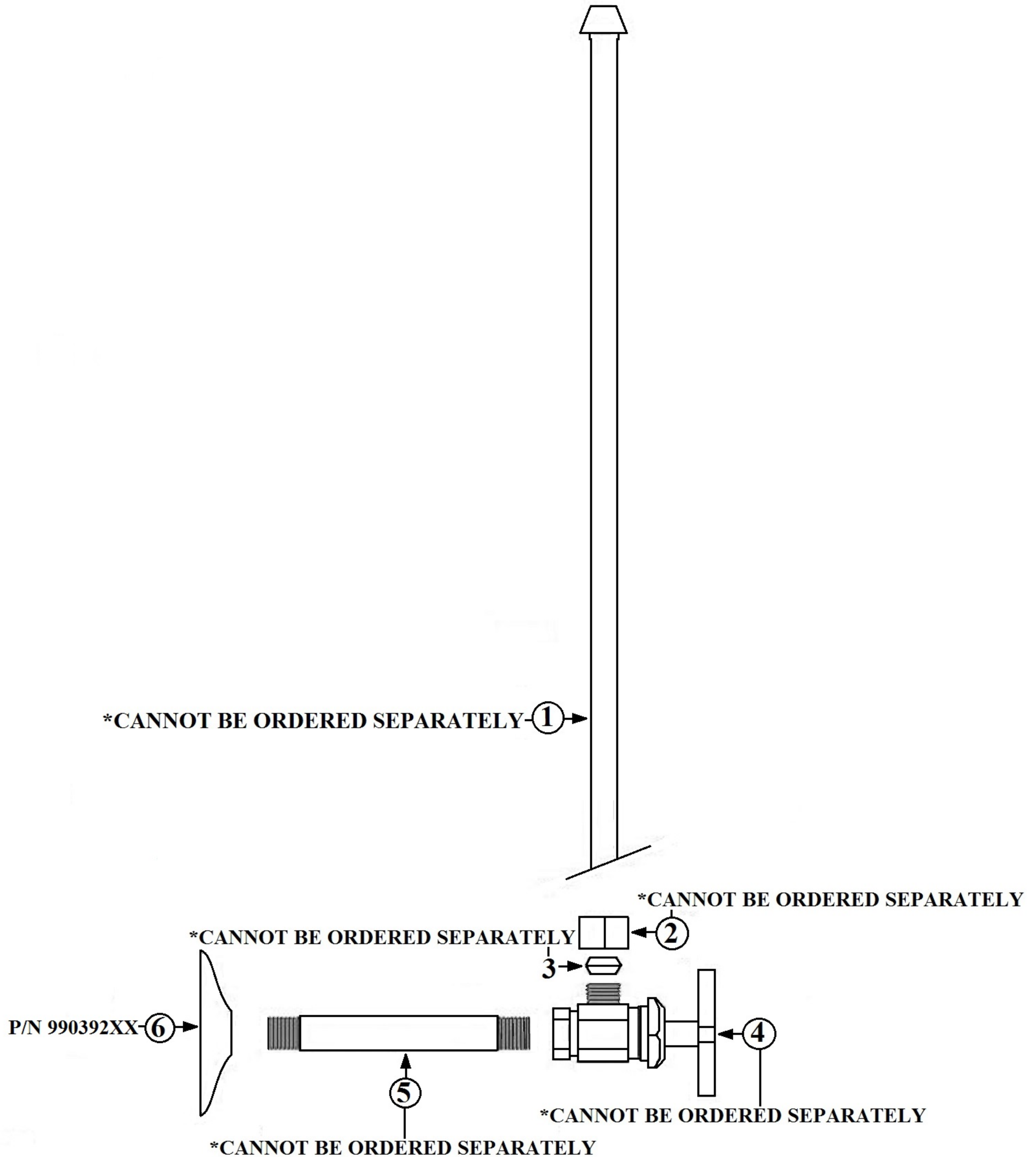
Herbeau[®]
L'Art du Sanitaire depuis 1857

0491 - Lavatory Supply Kit 1/2"



0491 - Lavatory Supply Kit 1/2"

***P/N = PART NUMBER**



○ = FINISHED PARTS
XX = TWO DIGIT FINISH CODE