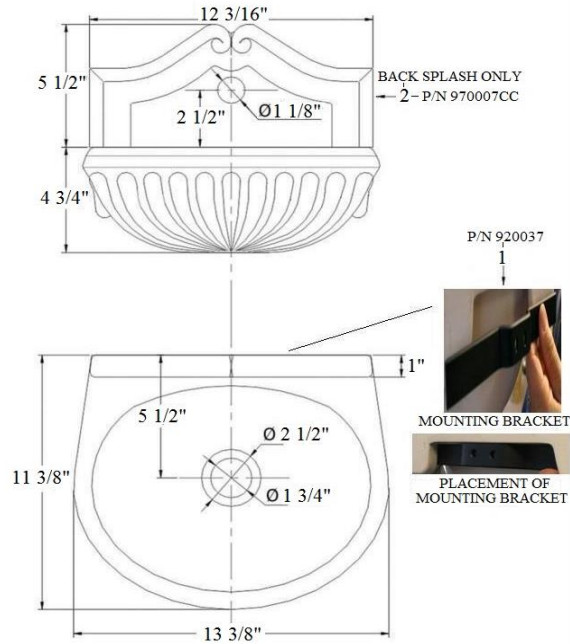


# 0205 – ‘Sophie’ Fountain

\*P/N = PART NUMBER



CC = COLOR OR HAND PAINT CODE

Part #	Description
01	Mounting Bracket
02	Sophie Backsplash Only

## Technical Information

- 10 1/4" H x 12 3/16" W x 11 3/8" D.
- To pass UPC Codes please use **(2120)**, **(2121)** and **(2122)** and install p-trap into the wall. Note: This is the only drain combination that can be used for the **(0205)**.
- Available Colors and Hand Painted Patterns are Moustier Polychrome **(01)**, Moustier Bleu **(02)**, Moustier Rose **(03)**, Vieux Rouen **(04)**, Sceau Rose **(05)**, Sceau Bleu **(06)**, Berain Rose **(07)**, Berain Vert **(08)**, Berain Bleu **(09)**, Romantique **(10)**, Rouen Marly **(11)**, White **(20)** and Avesnes **(21)**.
- Please See Cleaning Instructions: <http://herbeau.com/CleaningAll.pdf> For Finish Care and Maintenance Information.

Please follow example when ordering parts for ‘Sophie’ Fountain

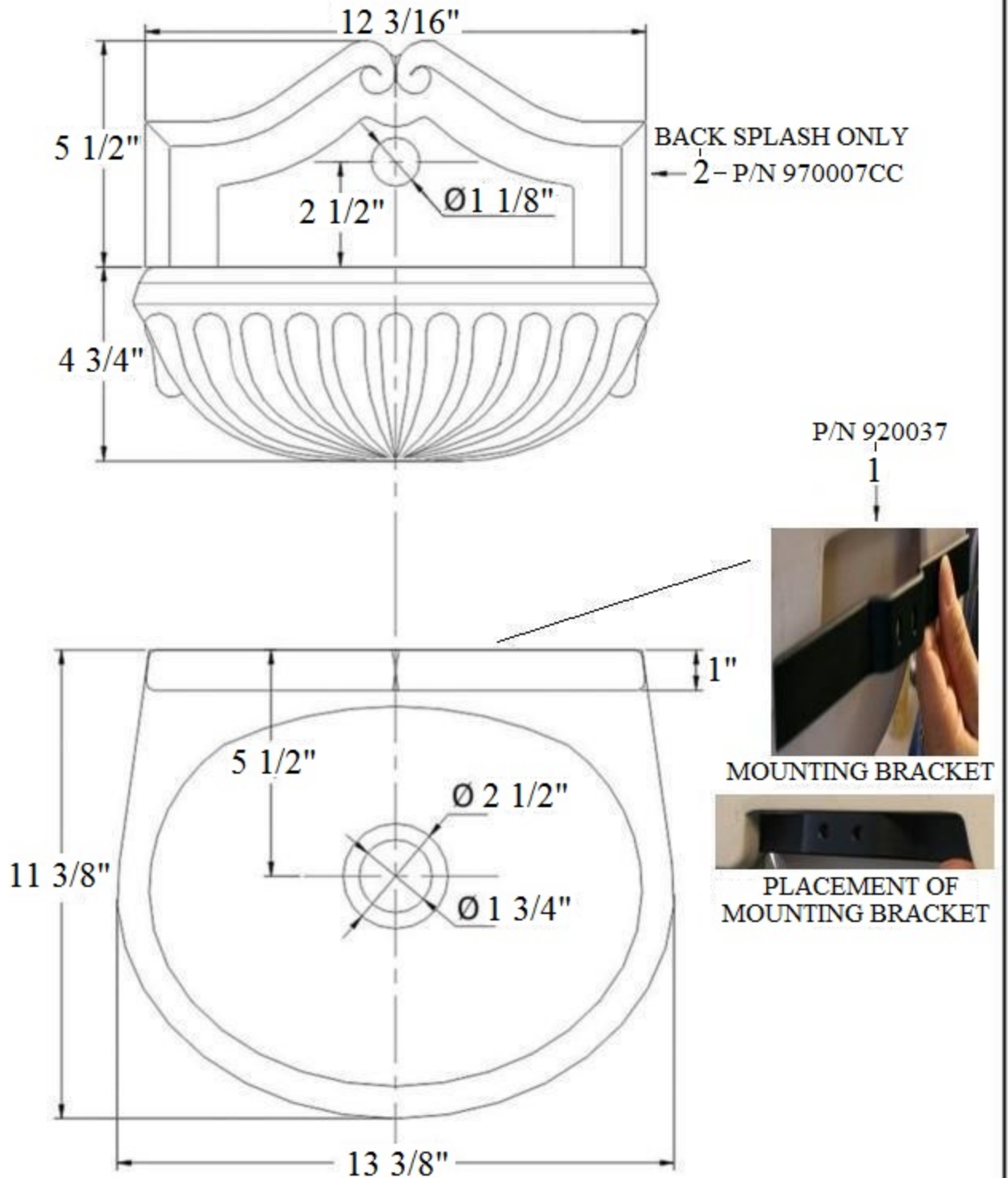
- To order part# 01 – Mounting Bracket
  - 920037



**Herbeau**®  
L'Art du Sanitaire depuis 1857

# 0205 - 'Sophie' Fountain

\*P/N = PART NUMBER



CC = COLOR OR HAND PAINT CODE