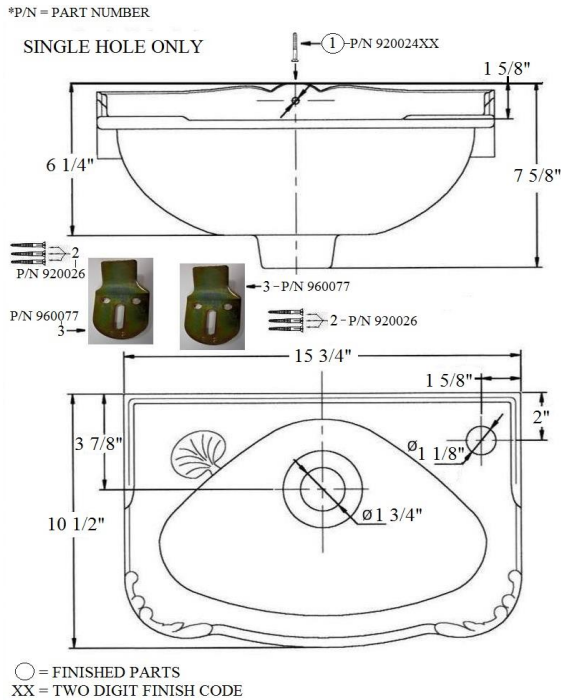


0105 – ‘Charly’ Vitreous China Hand Basin



Part #	Description
01	Finished Screw
02	Mounting Screw Kit
03	Mounting Brackets

Technical Information

- Size: 15 3/4" W x 10 1/2" D x 7 5/8" H.
- Single hole only, 1 1/8" Ø.
- With Integrated Overflow.
- To pass UPC Codes, please use **(2120)**, **(2121)**, **(2122)** and Install p-trap into the wall. Note: This is the only drain combination that can be used for the **(0105)**.
- Available Colors and Hand Painted Patterns are Moustier Polychrome **(01)**, Moustier Bleu **(02)**, Moustier Rose **(03)**, Vieux Rouen **(04)**, Sceau Rose **(05)**, Sceau Bleu **(06)**, Berain Rose **(07)**, Berain Vert **(08)**, Berain Bleu **(09)**, Romantique **(10)**, Rouen Marly **(11)**, White **(20)** and Avesnes **(21)**.
- Please See Cleaning Instructions:
<http://herbeau.com/CleaningAll.pdf> For Finish Care and Maintenance Information.

Please follow example when ordering parts for ‘Charly’ Hand Basin

- To order part# 01 – Finished Screw

○ 920024xx

- Please substitute finish number needed in place of XX

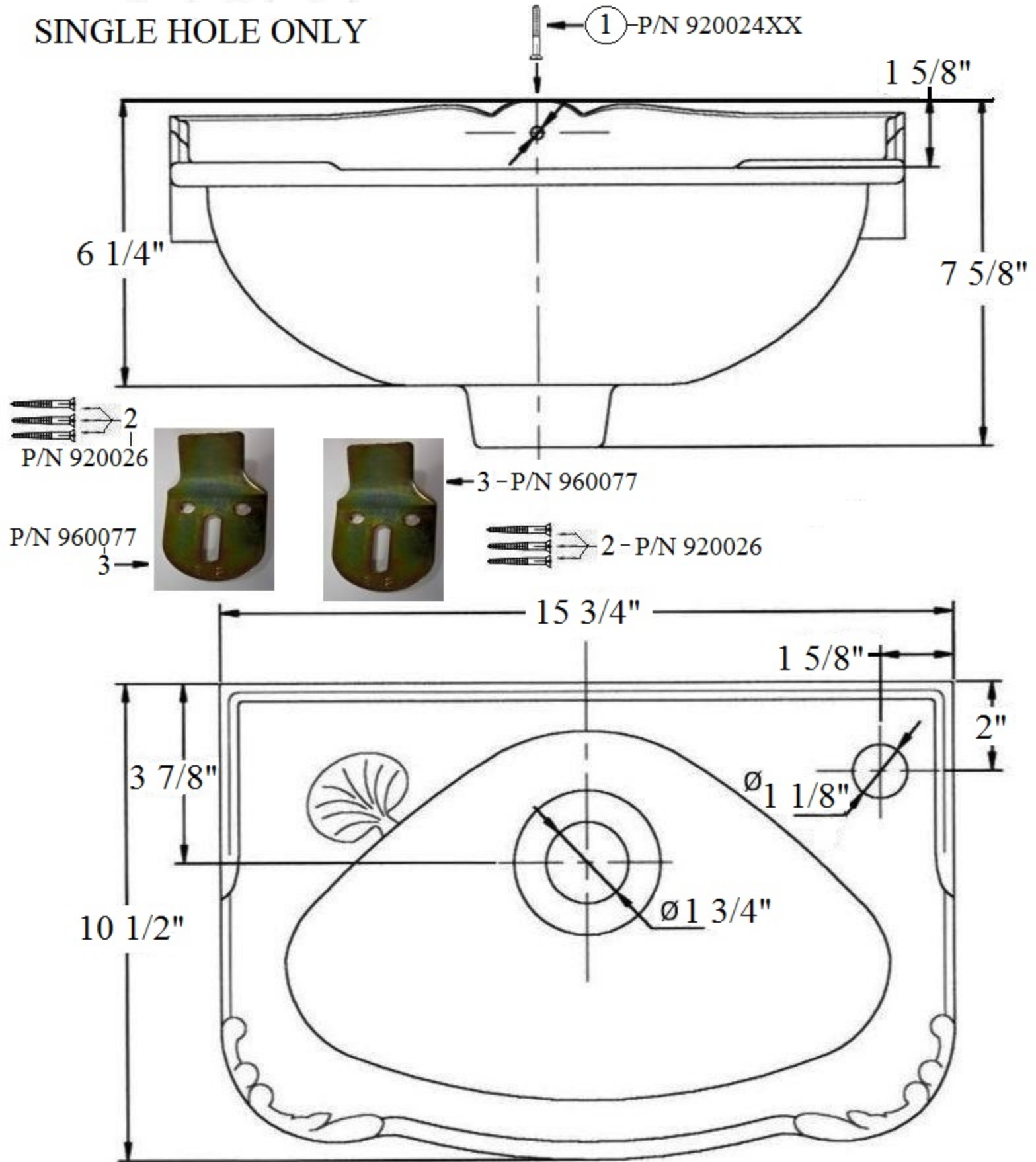


Herbeau[®]
L'Art du Sanitaire depuis 1857

0105 - 'Charly' Hand Basin

*P/N = PART NUMBER

SINGLE HOLE ONLY



○ = FINISHED PARTS

XX = TWO DIGIT FINISH CODE

Copyright© 2019 Herbeau Creations. All rights reserved. All product and specifications are subject to change without notice. Herbeau Creations is not responsible for typographical and/or dimensional errors. Typographical errors are subject to correction.