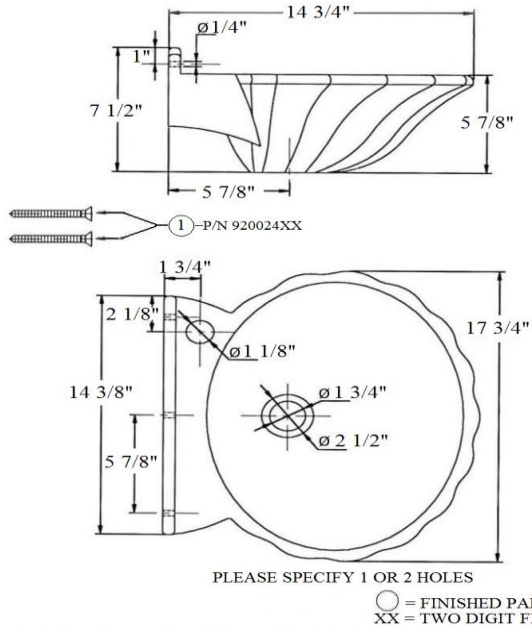


0103 – ‘Coquille’ Hand Basin

*P/N = PART NUMBER



Part #

01

Description

Finished Screw

Technical Information

- Size: 17 3/4" W x 7 1/2" H.
- To pass UPC Codes please use **(2120)**, **(2121)** and **(2122)** and install p-trap into the wall. Note: This is the only drain combination that can be used on the **(0103)**.
- Please specify single hole and left special order, **(E.G. 0103201L)** or single hole right side standard, **(E.G. 0103201R)** or 2-hole drilling special order, **(E.G. 0103202)**.
- Available Colors and Hand Painted Patterns are Moustier Polychrome **(01)**, Moustier Bleu **(02)**, Moustier Rose **(03)**, Vieux Rouen **(04)**, Sceau Rose **(05)**, Sceau Bleu **(06)**, Berain Rose **(07)**, Berain Vert **(08)**, Berain Bleu **(09)**, Romantique **(10)**, Rouen Marly **(11)**, White **(20)** and Avesnes **(21)**.
- Please See Cleaning Instructions: <http://herbeau.com/CleaningAll.pdf> For Finish Care and Maintenance Information.

Please follow example when ordering parts for ‘Coquille’ Hand Basin

- To order part# 01 – Finished Screw

○ 920024xx

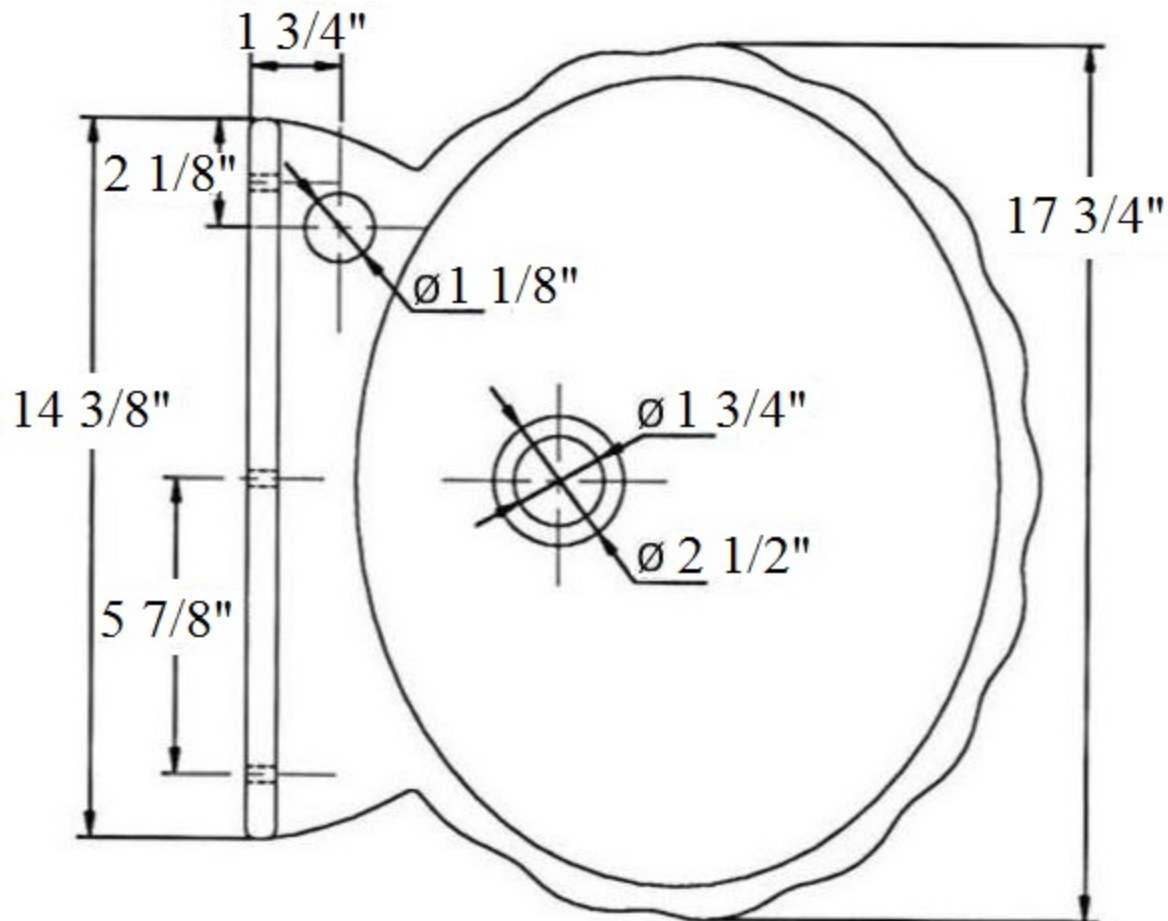
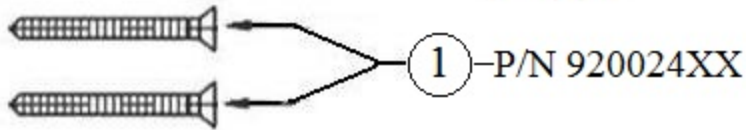
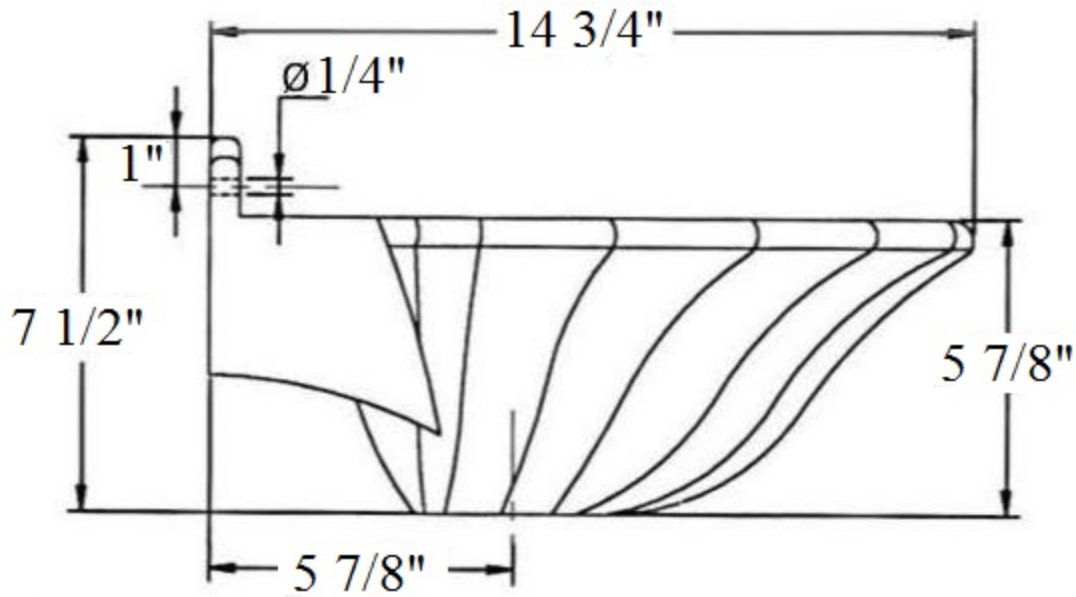
- Please Substitute Finish Number Needed in Place of **XX**



Herbeau[®]
L'Art du Sanitaire depuis 1857

0103 - 'Coquille' Hand Basin

*P/N = PART NUMBER



PLEASE SPECIFY 1 OR 2 HOLES

○ = FINISHED PARTS
XX = TWO DIGIT FINISH CODE