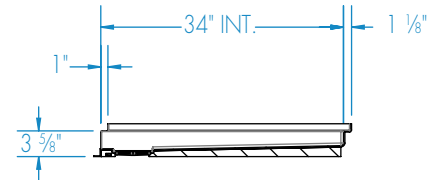
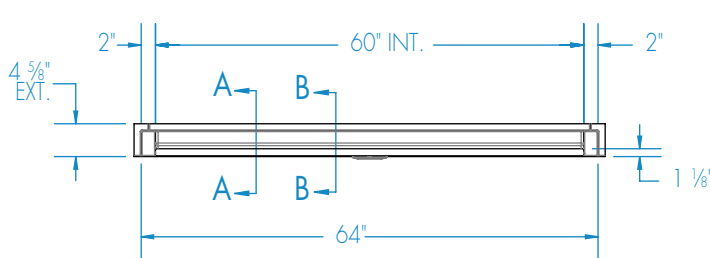
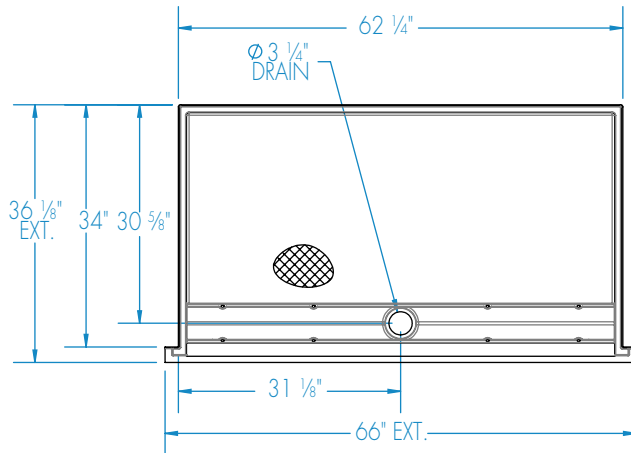


XSB6236TR 1.125

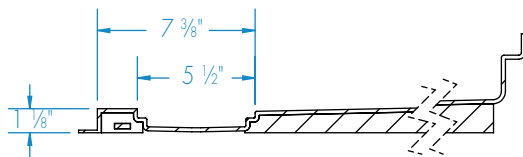
Interior: 60 x 34 x 2 ½
Exterior: 66 x 36 ⅛ x 4 ⅝
inches



ADA/ANSI compliant when fully equipped and installed according to guidelines.



SECTION A-A



SECTION B-B
Integral Pre-leveled Base
trench grate (included), not shown

FEATURES lbs Dimensional Tolerance ± ⅜". Dimensions needed for site preparation should be measured from the unit. Manufacturer assumes no responsibility for preparatory work.

| Type and Model # | Material | Wall Finish | Pieces | Drain | Dam/Skirt Height | Net Wt. | Pkg. Wt. |
|------------------------|----------|-------------|--------|--------------|------------------|---------|----------|
| Shower XSB6236TR 1.125 | Gelcoat | Smooth | 1 | Center Front | 1 ⅛" skirt | 40 | 50 |

DIMENSIONS

| Specifications | inches (mm) |
|---------------------------------|-------------|
| Width: Ext. / Int. | 66 / 60 |
| Depth: Ext. / Int. | 36 ⅛ / 34 |
| Height: Ext. / Int. | 4 ⅝ / 2 ½ |
| Enclosure Opening: | 60 |
| Skirt Height: | 1 ⅛ |
| Drain Rough-In (from Back Wall) | 30 ⅝ |
| Drain Rough-In (from Side Wall) | 31 ⅛ |

FRAMING DIMENSIONS inches (mm)

| Type | D Depth | W Width | H Height | A | B | C |
|--------|------------|------------|-------------|---------|------|------|
| Alcove | 34 | 62 ¼ | - | Box Out | 31 ⅛ | 30 ⅝ |

