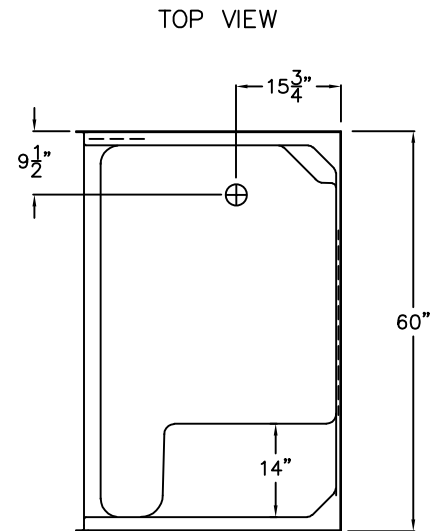
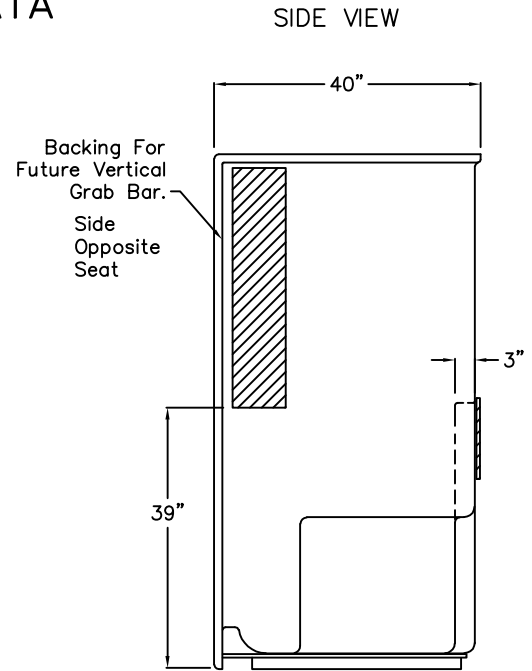
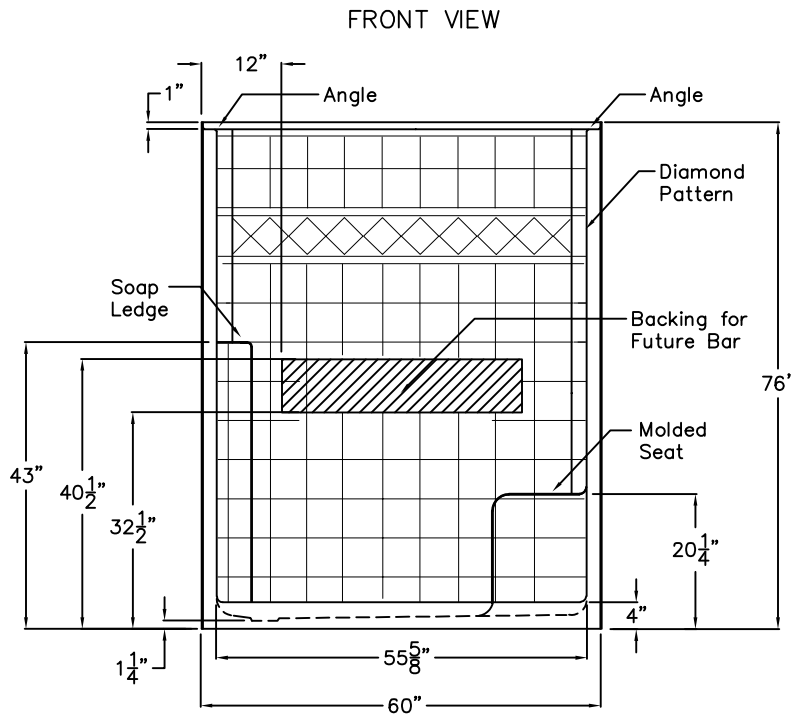


# Luxury Acrylic Series

## SUBMITTAL DATA



### Accessible Shower

This shower enclosure shall be Choose Home Model CHM 6036 SH 1S right, or left. Finished surface shall be of sanitary-grade applied acrylic. The unit shall have outside dimensions of 60" x 40" x 76". The unit shall meet IAPMO Z124-2011, and CSA B45.5-11.

The enclosure shall be equipped with the following factory installed accessories:  
 1) Reinforced backing on the back wall for future horizontal grab bar, 2) Reinforced backing opposite the seat for future vertical grab bar (bars by others), 3) Molded corner soap ledge, 4) Molded seat, 5) Tile pattern, 6) Diamond accents, 7) 4.0" threshold.

#### Available options:

- 1) Hand held shower set (includes: swivel connector, 60" flex hose, 30" slide bar, brass nipple, locknut, wall brackets, and shower outlet), 2) Pressure balance valve, 3) Green anti-bacterial shower curtain with hooks, 5) White weighted shower curtain with hooks, 6) Drain, 7) Grab bars.

DUE TO THE NATURE OF THE MATERIALS  
DIMENSIONS MAY VARY ± 1/2"

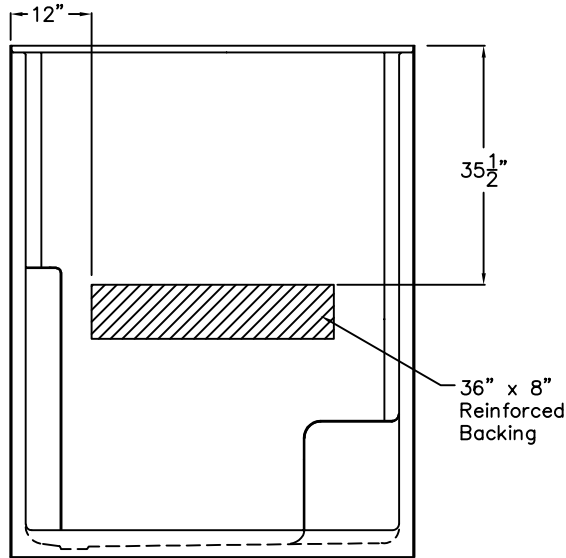
Job Name:	<b>PRAXIS</b>	
Approved by Print Name:	Drawing#: CHM 6039 SH 1S 4.0 FBP	
Approved by Signature:	Date:	Date: 6-12-07.      Revised: 4-5-17
Rep.:	Wholesaler:	Quote No.:

PRAXIS INDUSTRIES, LLC.  
 435 INDUSTRIAL RD - SAVANNAH, TN 38372  
 1 (800) 443-7269 - FAX (731) 925-4290

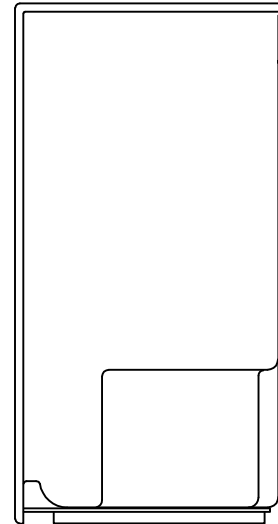
# Backing Placement Drawing

## SUBMITTAL DATA

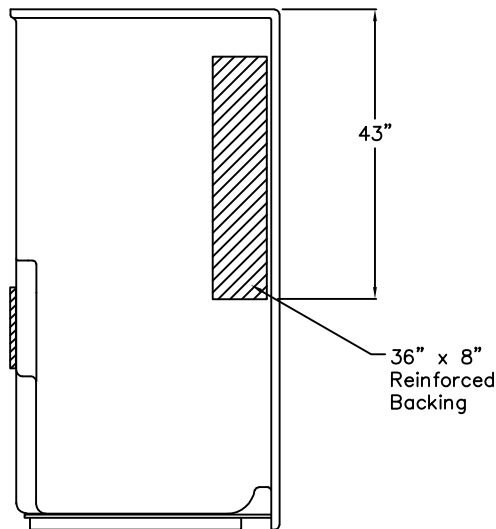
FRONT VIEW



SEAT SIDE VIEW



SIDE VIEW



DUE TO THE NATURE OF THE MATERIALS  
DIMENSIONS MAY VARY  $\pm 1/2$ "

Job Name:

PRAXIS

Approved by Print Name:

Drawing#: CHM 6039 SH 1S 4.0 FBP-BP

Approved by Signature:

Date:

Date: 5-8-07.

Revised: 4-5-17

Rep.:

Wholesaler:

Quote No.:

PRAXIS INDUSTRIES, LLC.  
435 INDUSTRIAL RD - SAVANNAH, TN 38372  
1 (800) 443-7269 - FAX (731) 925-4290