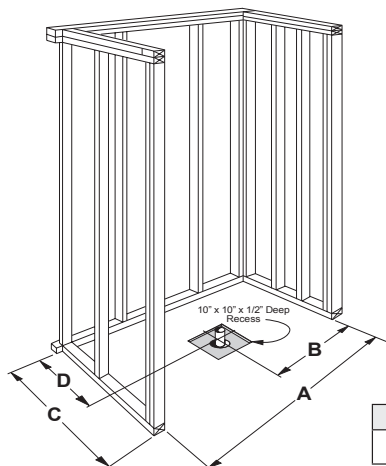
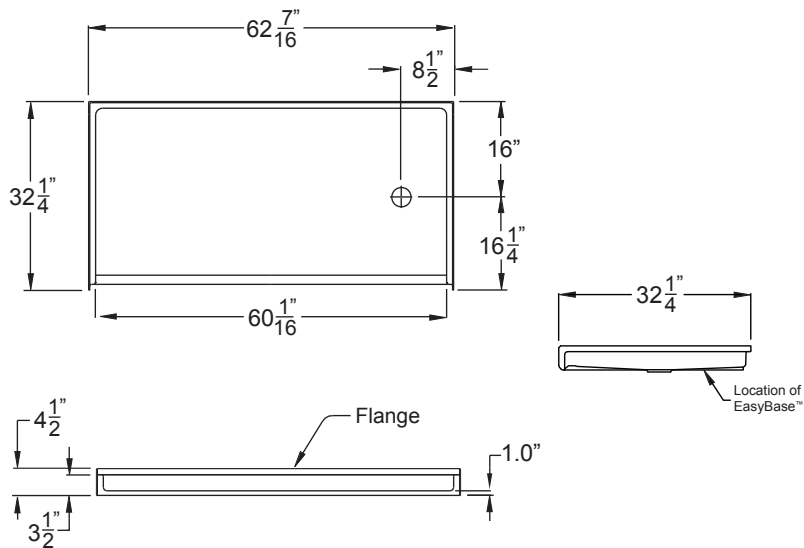
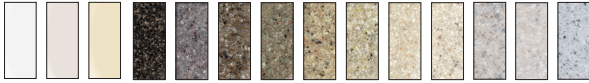
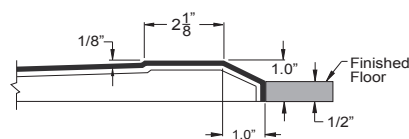


SAFE. ACCESSIBLE.
BATHING SOLUTIONS.

UPGRADE to solid surface



1" Barrier Free



A	B	C	D
62.688"	8.563"	32.25"	16"

Due to the nature of the materials, dimensions may vary +/- 0.5".

MyPlace™ AcrylX™ shower bases

MPB 6232 BF COL 1.0 LR

OUTER DIMENSION	62.438" x 32.25" x 4.5"
THRESHOLD	1" COL*
DRAIN	Left or Right
HANDED	Drain
SHIPPING WEIGHT	62
LOAD FACTOR	0.27
TRUCK LOAD FACTOR	0.27



ADA
Compliant



Barrier Free
Threshold



Solid Surface
Finish



AcrylX™
Finish

NOTES

*COL Change of level threshold has a manageable 0.25" vertical rise to easily coordinate with minimum finished flooring.

CODES code compliant with ADA, ICC ANSI 117.1, MAS and TAS only.

EasyBase™ Self-supporting and pre-levelled shower base, EasyBase™, is standard on all barrier free shower bases. EasyBase™ is not offered on EasyStep™ models.

RAPID SHIP All shower bases are in stock for rapid shipment - ships in four business days.

WARRANTY All shower bases are offered with an unprecedented lifetime limited warranty.



THE PRAXIS COMPANIES | praxiscompanies.com
customer service 800.443.7269