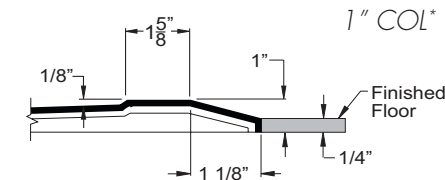
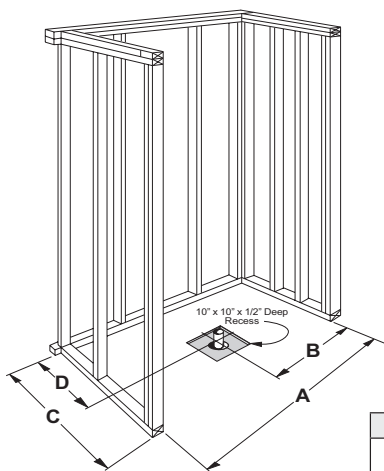
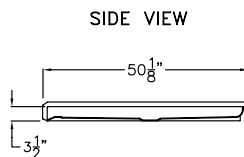
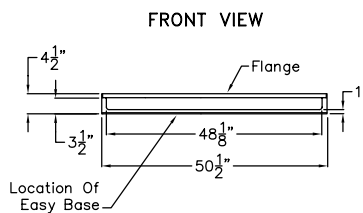
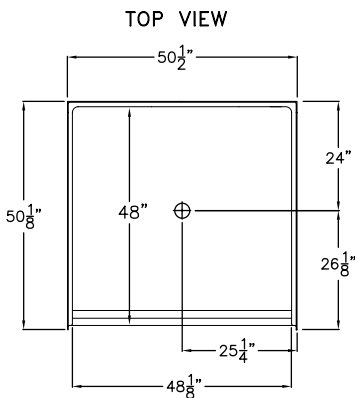
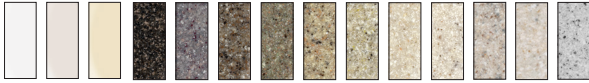


SAFE. ACCESSIBLE.
BATHING SOLUTIONS.

UPGRADE to solid surface



A	B	C	D
50.75"	25.375"	50.125"	24"

MyPlace™ AcrylX™ shower bases

MPB 5050 BF 1.0 C

OUTER DIMENSION	50.5" x 50.125" x 4.25"
THRESHOLD	1" COL*
DRAIN	Center
HANDED	Drain
SHIPPING WEIGHT	84
LOAD FACTOR	0.24
TRUCK LOAD FACTOR	0.24



Veterans Affairs
Compliant



Barrier Free
Threshold



Solid Surface
Finish



AcrylX™
Finish

NOTES

*COL Change of level threshold has a manageable 0.25" vertical rise to easily coordinate with minimum finished flooring.

CODES code compliant with VA, IPC, UPC, and ANSI Z 124.2 only.

EasyBase™ Self-supporting and pre-levelled shower base, EasyBase™, is standard on all barrier free shower bases. EasyBase™ is not offered on EasyStep™ models.

RAPID SHIP All shower bases are in stock for rapid shipment - ships in four business days.

WARRANTY All shower bases are offered with an unprecedented lifetime limited warranty.



THE PRAXIS COMPANIES | praxiscompanies.com
customer service 800.443.7269

Due to the nature of the materials, dimensions may vary +/- 0.5".