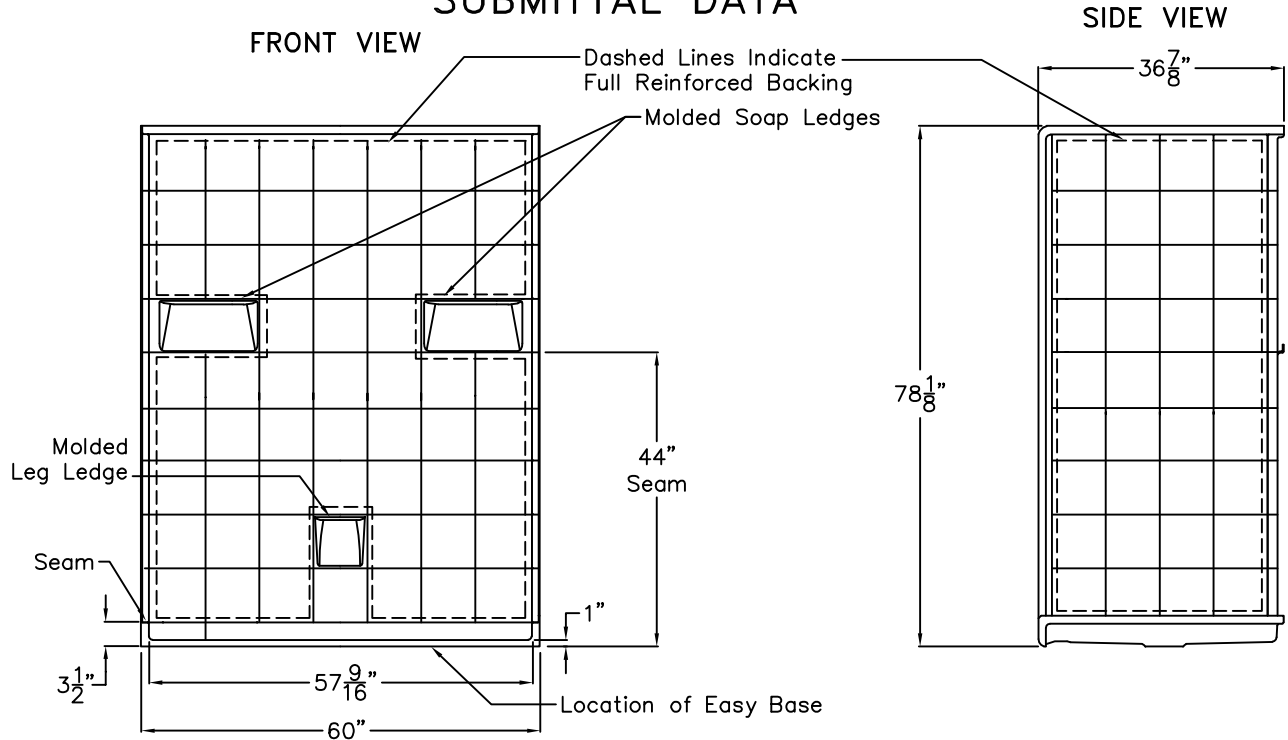
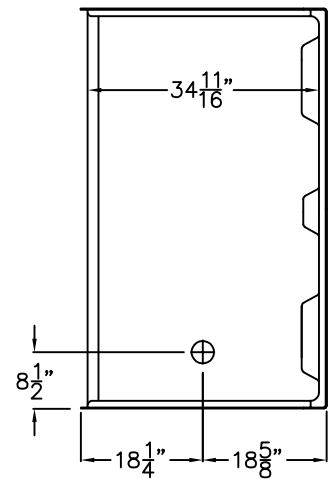


# Comfort Series

## SUBMITTAL DATA



**TOP VIEW**



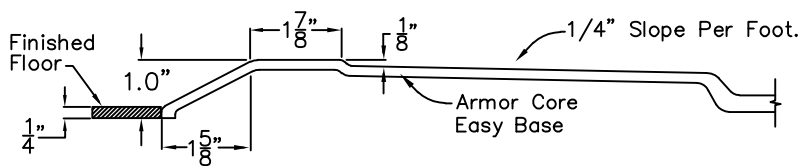
### Sectional Shower

This shower enclosure shall be Model MP 6036 BF 5P 1.0 left or right drain location. Finished surface shall be of sanitary-grade applied acrylic. The unit shall have outside dimensions of 60" x 36 7/8" x 78 1/8". The unit shall meet IAPMO Z124-2011, and CSA B45.5-11.

The enclosure shall be equipped with the following factory installed accessories:

- 1) Molded soap ledges,
- 2) Molded lower ledge on back wall,
- 2) Tile finish,
- 3) Five piece sectional design,
- 4) Full reinforced backing on all walls,
- 5) Factory installed Armor Core Easy Base,
- 6) Left or right hand drain location,
- 7) 1.0" threshold.

### Detail of 1.0" Threshold



DUE TO THE NATURE OF THE MATERIALS INVOLVED  
UNIT DIMENSIONS MAY VARY ± 1/2 INCH

**PRAXIS**

Approved by Print Name:

Drawing#: MP 6036 BF 5P 1.0 L-R

Approved by Signature:

Date:

Date: 3-31-09

Revised: 4-3-17

Rep.:

Wholesaler:

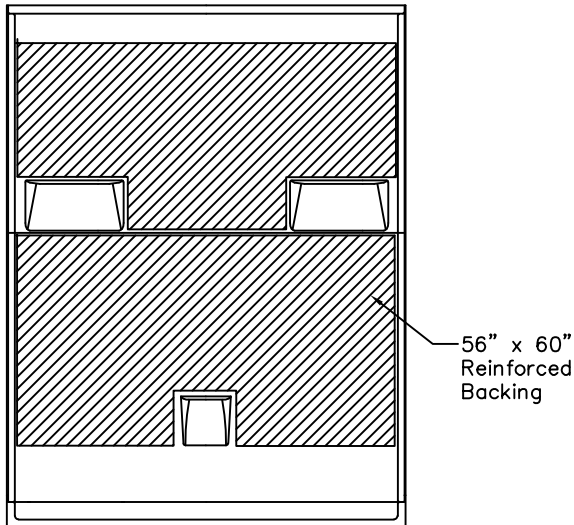
Quote No.

PRAXIS INDUSTRIES, INC.  
ROUTE 1, BOX 46D - SAVANNAH, TN 38372  
1 (800) 443-7269 - FAX (901) 925-4290

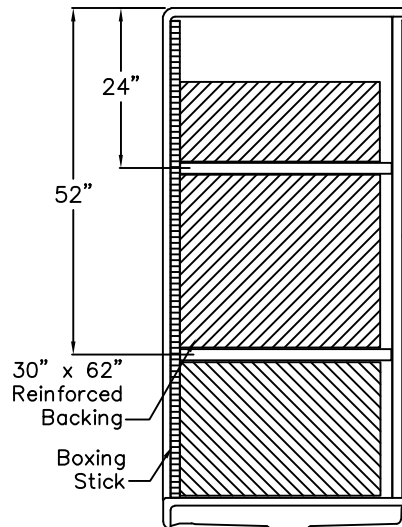
# Backing Placement Drawing

## SUBMITTAL DATA

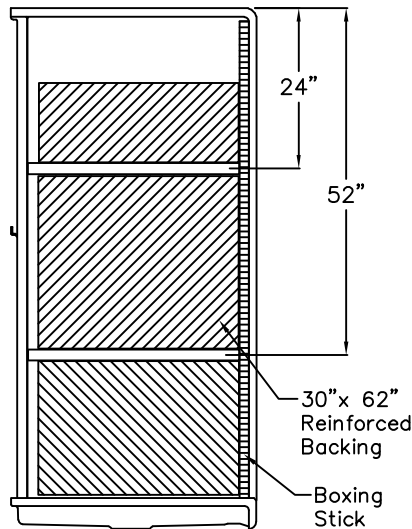
FRONT VIEW



SIDE VIEW



SIDE VIEW



DUE TO THE NATURE OF THE MATERIALS INVOLVED  
UNIT DIMENSIONS MAY VARY  $\pm 1/2$  INCH

Job Name:	PRAXIS	
Approved by Print Name:	Drawing#: MP 6036 BF 5P 1.0 L-R-BP	
Approved by Signature:	Date:	Date: 3-31-09      Revised: 4-3-17
Rep.:	Wholesaler:	Quote No.:

PRAXIS INDUSTRIES, INC.  
ROUTE 1, BOX 46D - SAVANNAH, TN 38372  
1 (800) 443-7269 - FAX (901) 925-4290