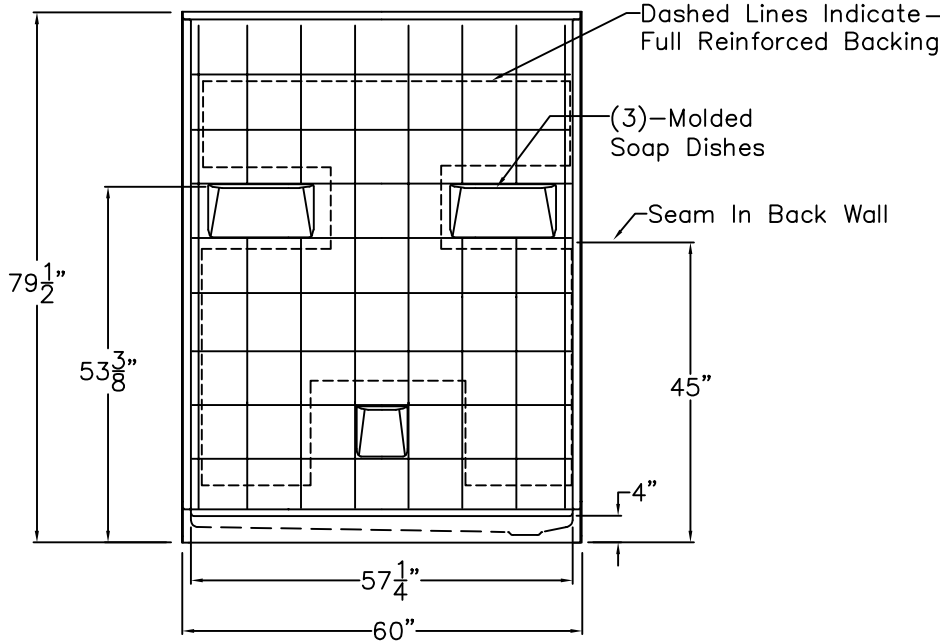


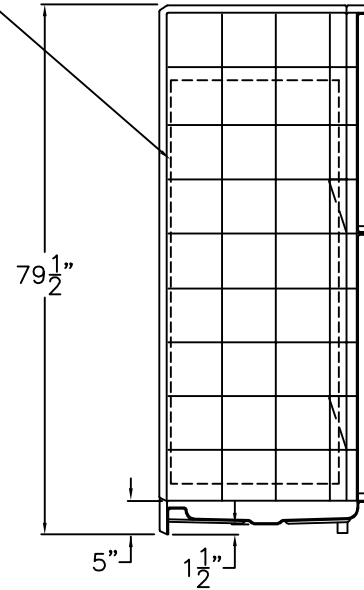
Comfort Series

SUBMITTAL DATA

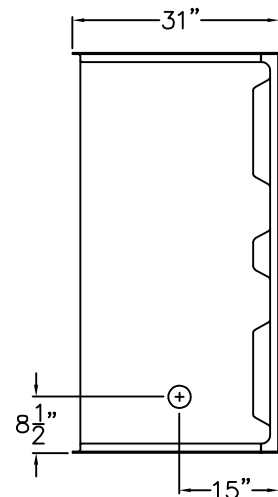
FRONT VIEW



SIDE VIEW



TOP VIEW



Sectional Shower

This shower enclosure shall be Model MP 6030 SH 5P 1.0 left or right drain location. Finished surface shall be of sanitary-grade applied acrylic. The unit shall have outside dimensions of 60" x 31" x 79 1/2". The unit shall meet IAPMO Z124-2011, and CSA B45.5-11.

The enclosure shall be equipped with the following factory installed accessories:

- 1) Molded soap ledges,
- 2) Molded lower ledge on back wall,
- 3) Tile finish,
- 4) Five piece sectional design,
- 5) Full reinforced backing on all walls,
- 6) Left or right hand drain location,
- 7) 5.0" threshold.

NOTE: THE INTERIOR DEPTH DOES NOT COMPLY WITH UPC AND IPC CODES

DUE TO THE NATURE OF THE MATERIALS INVOLVED
UNIT DIMENSIONS MAY VARY ± 1/2 INCH

Job Name:	PRAXIS		
Approved By Print Name:	Drawing#: MP 6030 SH 5P 4.0 L-R		
Approved By Signature:	Date:	Date: 3-31-09	Revised: 4-3-17
Rep.:	Wholesaler:	Quote No.	

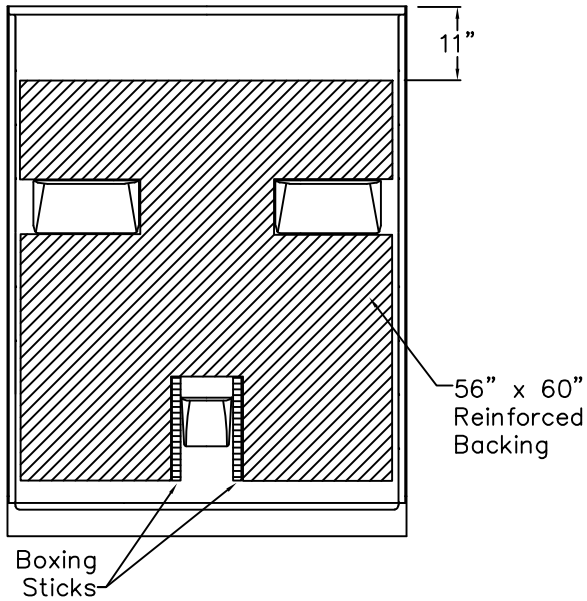
PRAXIS INDUSTRIES, INC.
ROUTE 1, BOX 46D - SAVANNAH, TN 38372
1 (800) 443-7269 - FAX (901) 925-4290

Recyclable Paper

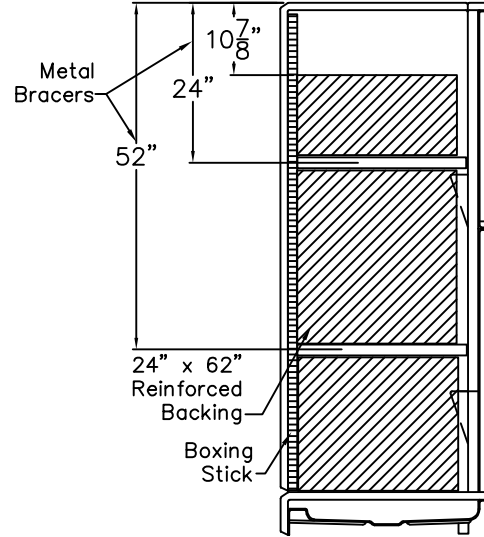
Backing Placement Drawing

SUBMITTAL DATA

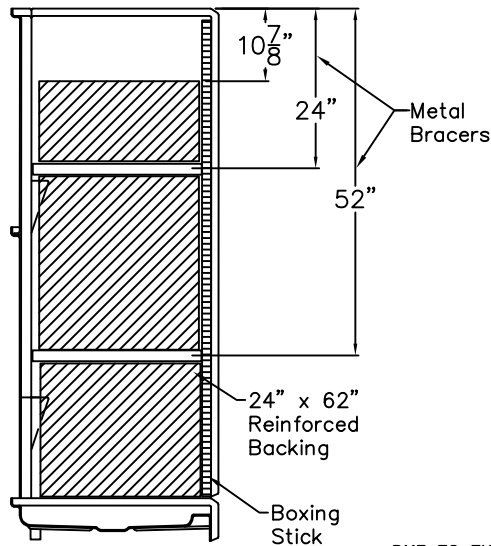
FRONT VIEW



DRAIN SIDE VIEW



SIDE VIEW



DUE TO THE NATURE OF THE MATERIALS INVOLVED
UNIT DIMENSIONS MAY VARY $\pm 1/2$ INCH

Job Name:		PRAXIS	
Approved by Print Name:		Drawing#: MP 6030 SH 5P 4.0 L-R-BP	
Approved by Signature:	Date:	Date: 12-21-09	Revised: 4-3-17
Rep.:	Wholesaler:	Quote No.:	

PRAXIS INDUSTRIES, INC.
ROUTE 1, BOX 46D - SAVANNAH, TN 38372
1 (800) 443-7269 - FAX (901) 925-4290