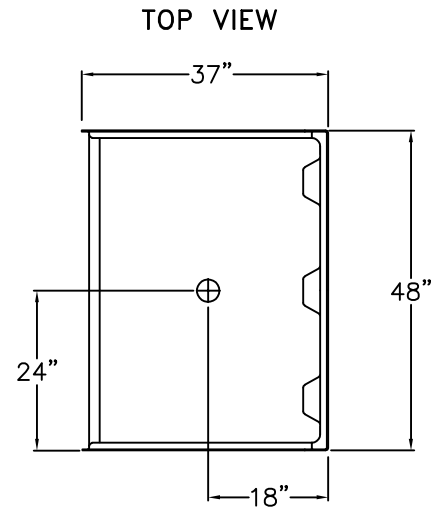
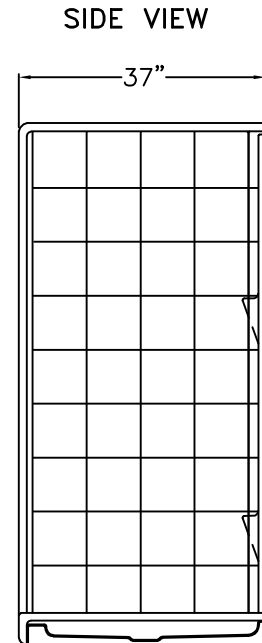
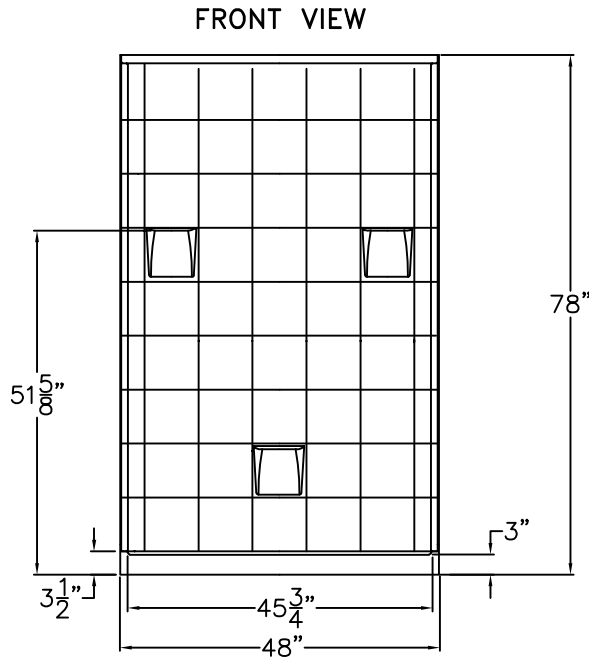


Comfort Series

SUBMITTAL DATA



Sectional Shower

This shower enclosure shall be Model MP 4836 SH 4P 3.0 center drain. Finished surface shall be of sanitary-grade applied acrylic. The unit shall have outside dimensions of 48" x 37" x 78". The unit shall meet IAPMO Z124-2011, and CSA B45.5-11.

The enclosure shall be equipped with the following factory installed accessories:

- 1) Molded soap ledges,
- 2) Molded lower ledge on back wall,
- 3) Tile finish,
- 4) Four piece sectional design,
- 5) Full reinforced backing on all walls,
- 6) 3.0" threshold.

DUE TO THE NATURE OF THE MATERIALS INVOLVED
UNIT DIMENSIONS MAY VARY ± 1/2 INCH

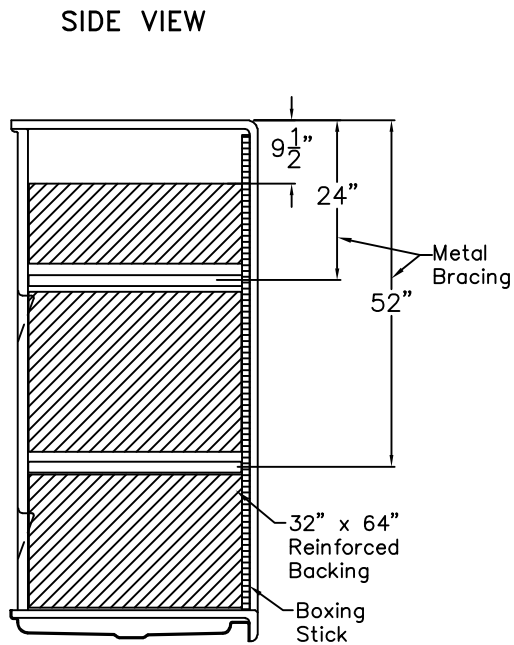
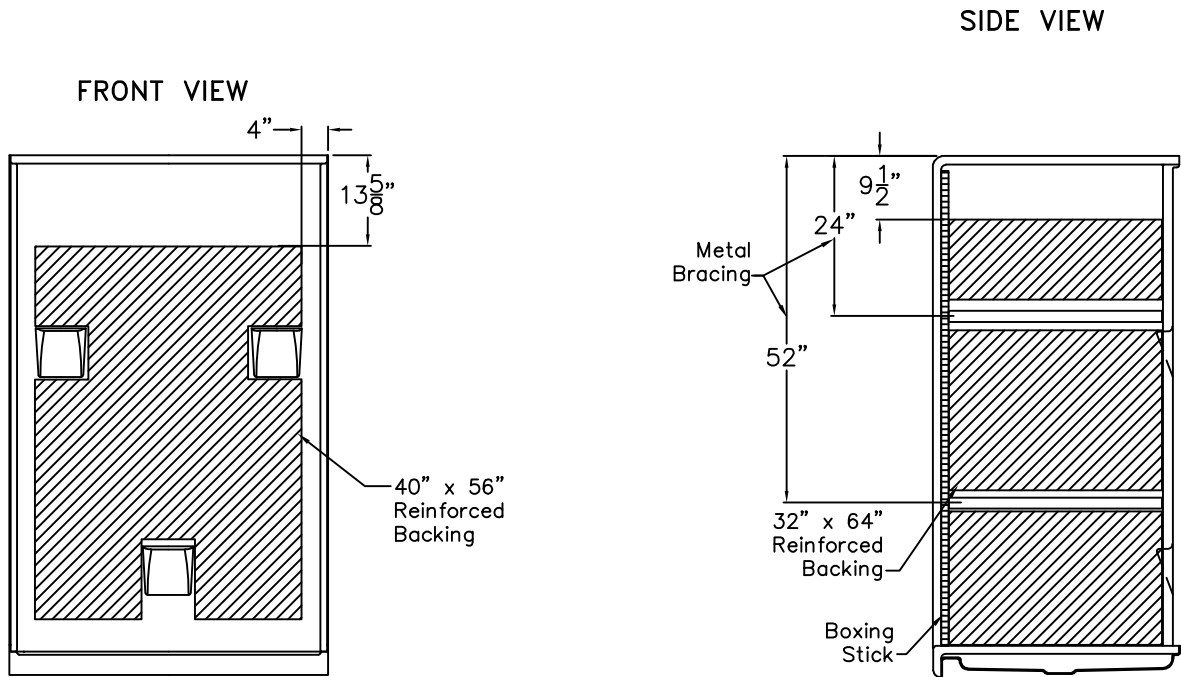
Job Name:	PRAXIS
Approved by Print Name:	Drawing#: MP 4836 SH 4P 3.0
Approved by Signature:	Date: 3-31-09 Revised: 4-3-17
Rep.:	Wholesaler: Quote No.

PRAXIS INDUSTRIES, INC.
ROUTE 1, BOX 46D - SAVANNAH, TN 38372
1 (800) 443-7269 - FAX (901) 925-4290

Recyclable Paper

Backing Placement Drawing

SUBMITTAL DATA



DUE TO THE NATURE OF THE MATERIALS INVOLVED
UNIT DIMENSIONS MAY VARY ± 1/2 INCH

Job Name:	PRAXIS	
Approved by Print Name:	Drawing#: MP4836 SH 4P 3.0-BP	
Approved by Signature:	Date:	Date: 12-21-09 Revised: 4-3-17
Rep.:	Wholesaler:	Quote No.:

PRAXIS INDUSTRIES, INC.
ROUTE 1, BOX 46D - SAVANNAH, TN 38372
1 (800) 443-7269 - FAX (901) 925-4290