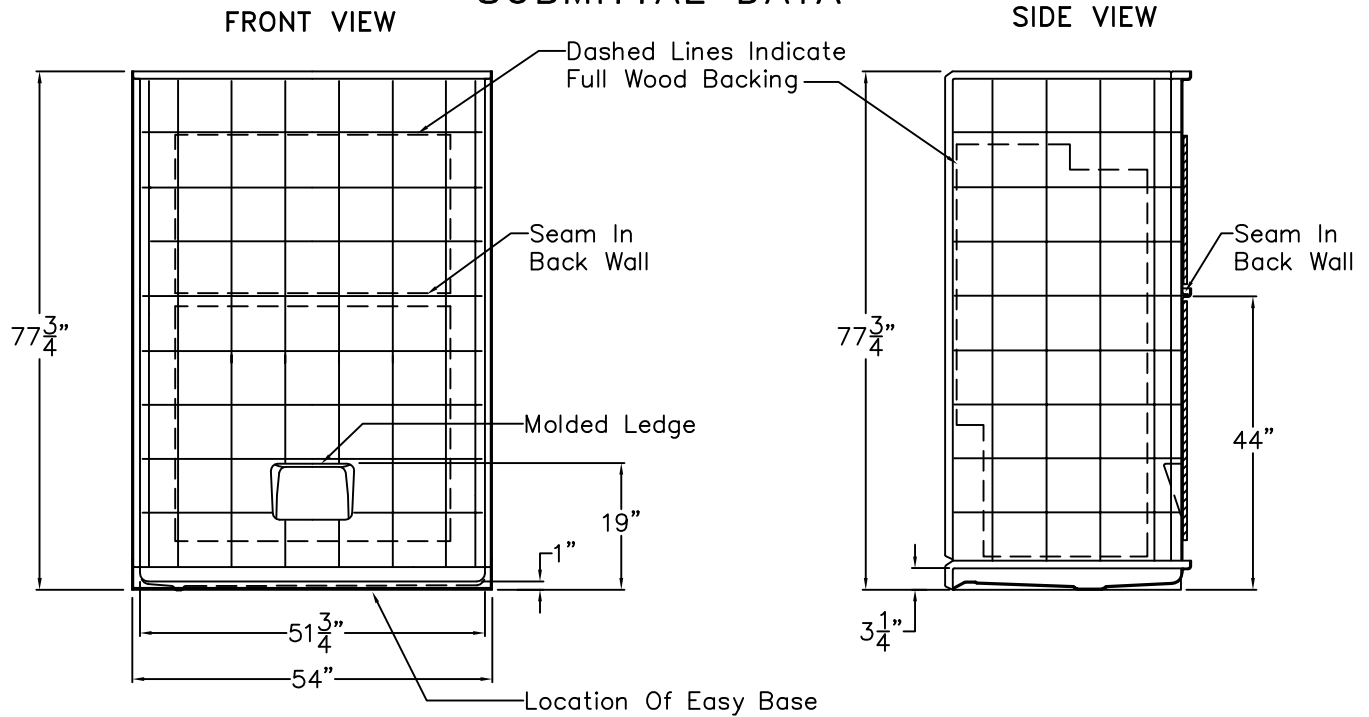
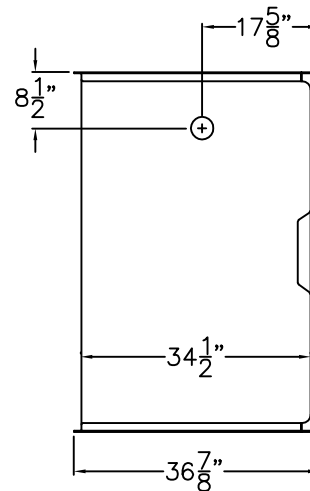


Comfort Series

SUBMITTAL DATA



TOP VIEW



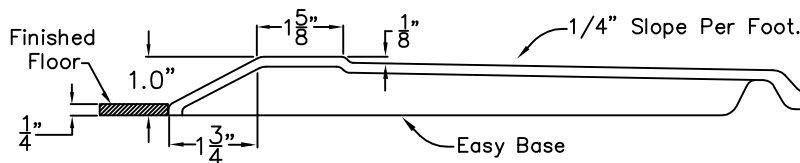
Sectional Shower

This shower enclosure shall be Hamilton Model MP 5436 BF 5P 1.0 left or right drain location. Finished surface shall be of sanitary-grade applied acrylic. The unit shall have outside dimensions of 54" x 36 7/8" x 77 3/4". The unit shall meet IAPMO Z124-2011, and CSA B45.5-11.

The enclosure shall be equipped with the following factory installed accessories:

- 1) Molded lower ledge on back wall,
- 2) Tile finish,
- 3) Five piece sectional design,
- 4) Full wood backing on all walls,
- 5) Factory installed Easy Base self sustaining bottom,
- 6) Left or right hand drain location,
- 7) 1.0" threshold.

Detail of 1.0" Threshold



DUE TO THE NATURE OF THE MATERIALS INVOLVED
UNIT DIMENSIONS MAY VARY ± 1/2 INCH

HAMILTON

Approved By Print Name:

Drawing#: MP 5436 BF 5P 1.0 L-R

Approved By Signature:

Date:

Date: 3-31-09

Revised: 12-1-16

Rep.:

Wholesaler:

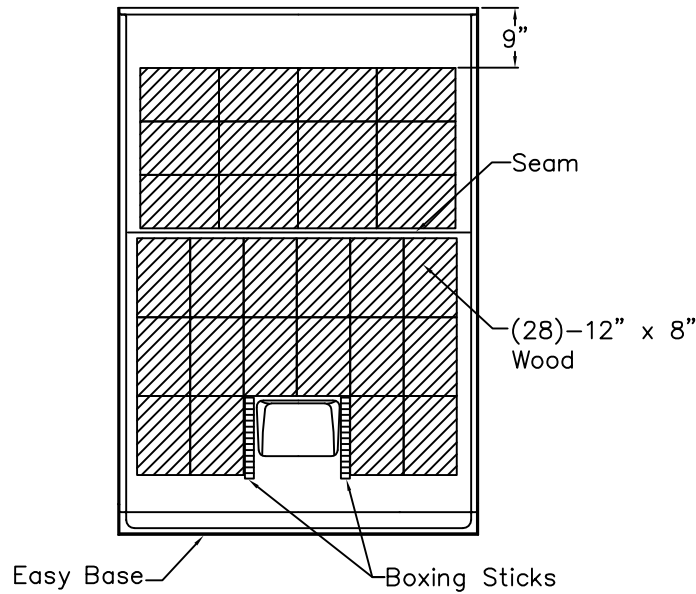
Quote No.

PRAXIS INDUSTRIES, INC.
ROUTE 1, BOX 46D - SAVANNAH, TN 38372
1 (800) 443-7269 - FAX (901) 925-4290

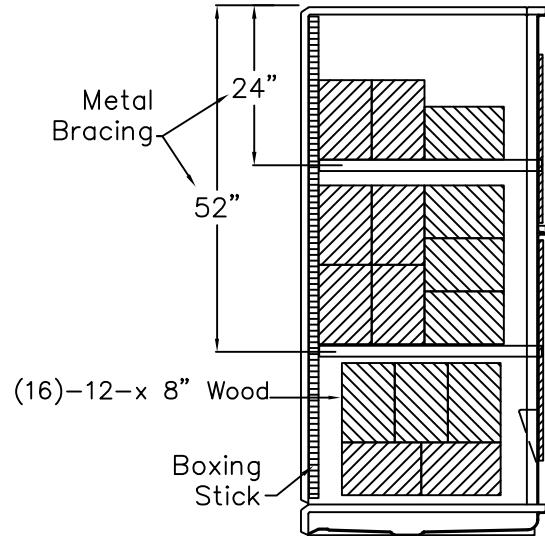
Board Placement Drawing

SUBMITTAL DATA © 2004

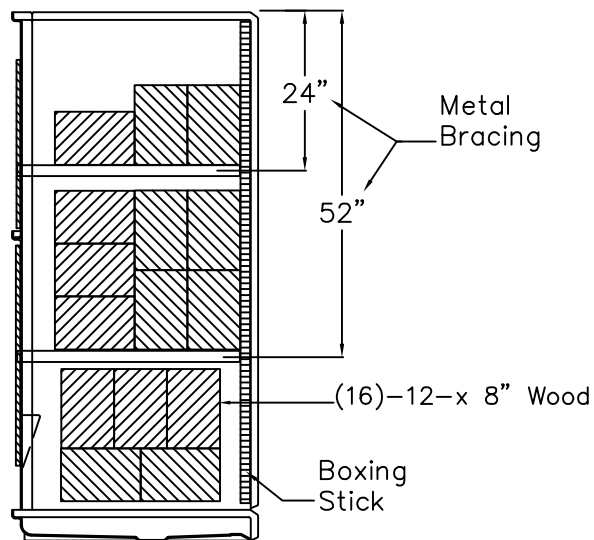
FRONT VIEW



SIDE VIEW



SIDE VIEW



DUE TO THE NATURE OF THE MATERIALS INVOLVED
UNIT DIMENSIONS MAY VARY ± 1/2 INCH

Job Name:	HAMILTON	
Approved by Print Name:	Drawing#: MP 5436 BF 5P 1.0 L-R-BP	
Approved by Signature:	Date:	Date: 12-21-09 Revised: 12-1-16
Rep.:	Wholesaler:	Quote No.:

PRAXIS INDUSTRIES, INC.
ROUTE 1, BOX 46D - SAVANNAH, TN 38372
1 (800) 443-7269 - FAX (901) 925-4290